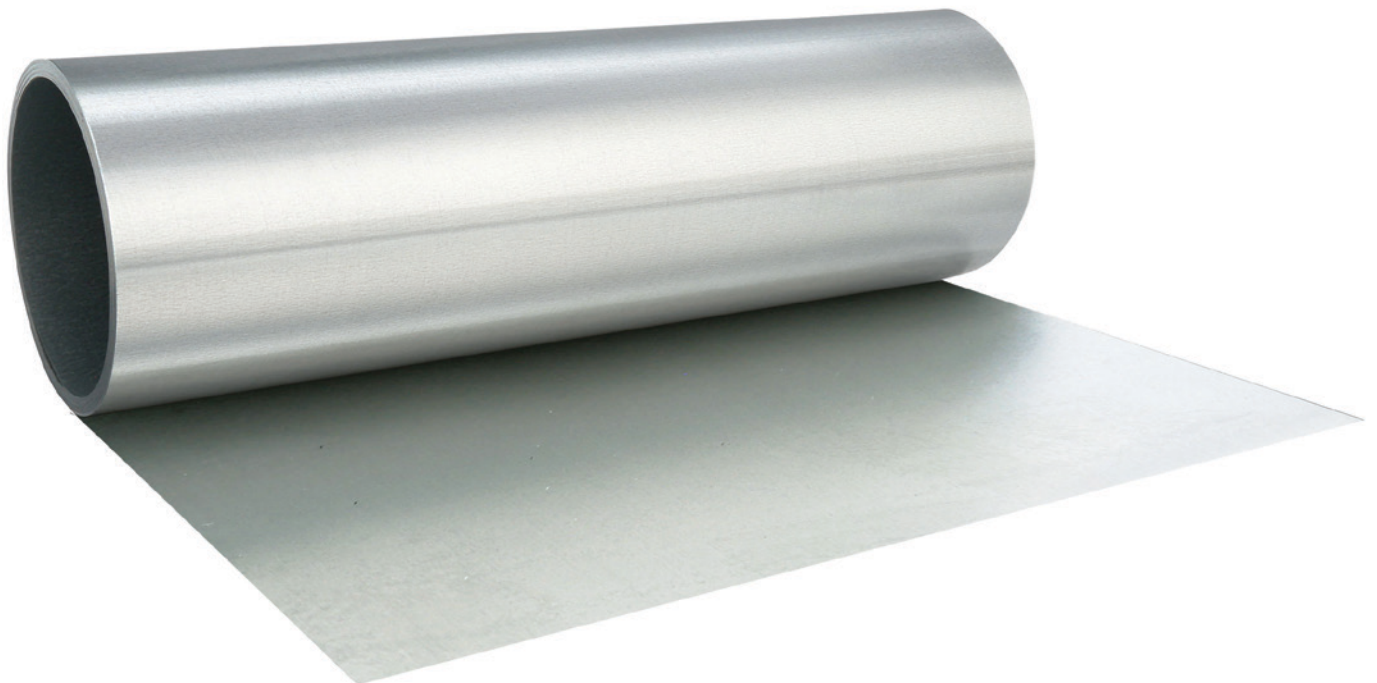
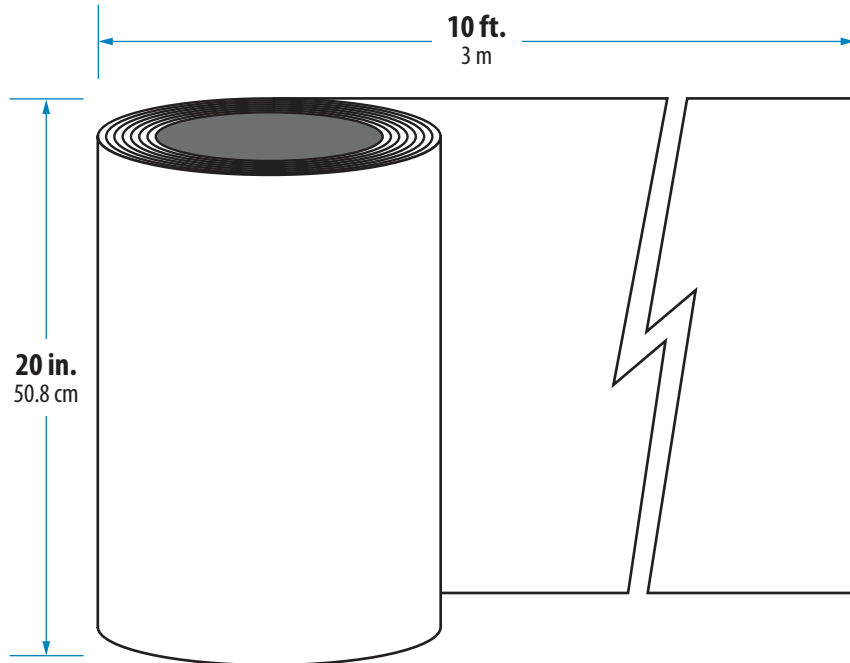


0.010 Aluminum · 20 in. x 10 ft.



Mill