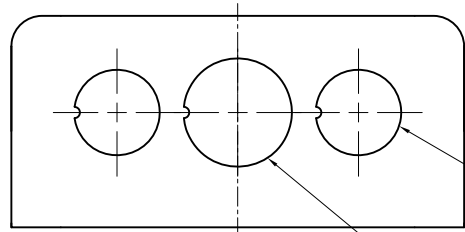


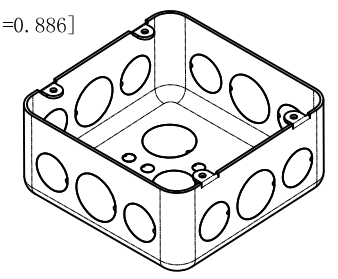
SIDES	BOTTOM
8 1/2" KNOCKOUTS	6 KNOCKOUTS
4 3/4" KNOCKOUTS	3 1/2" KNOCKOUTS
	2 3/4" KNOCKOUTS

Material: Steel-0.0625"-G60 Galvanized

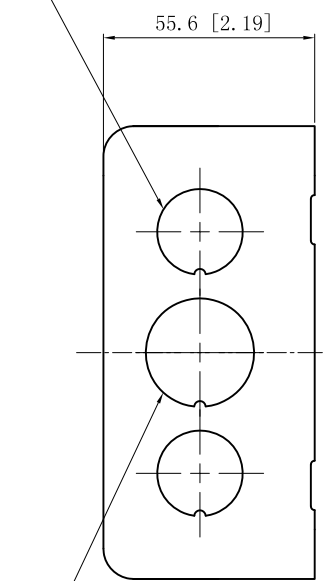


4 × 1/2" KNOCKOUTS $\phi = 22.50$ [$\phi = 0.886$]
MIRROR

2 × 3/4" KNOCKOUTS $\phi = 28.50$ [$\phi = 1.122$]
MIRROR



4 × 1/2" KNOCKOUTS $\phi = 22.50$ [$\phi = 0.886$]
MIRROR



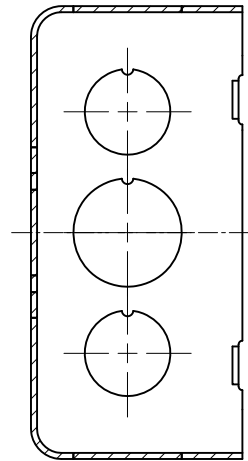
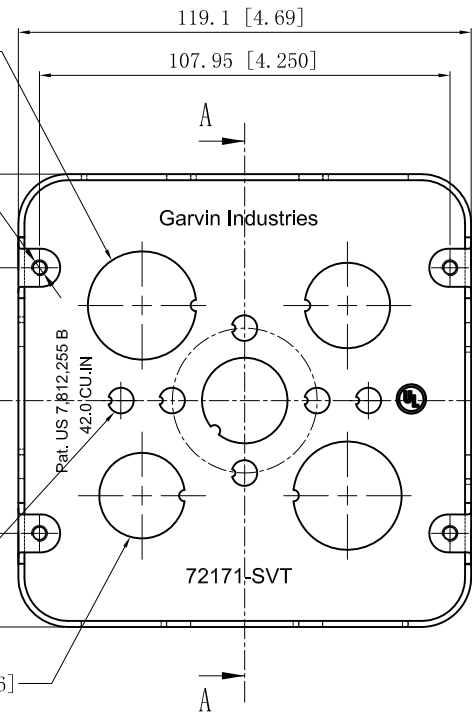
2 × 3/4" KNOCKOUTS $\phi = 28.50$ [$\phi = 1.122$]

4-#8-32 UNC HOLE

6 × KNOCKOUTS $\phi = 6.75$ [$\phi = 0.266$]

3 × 1/2" KNOCKOUTS $\phi = 22.50$ [$\phi = 0.886$]

2 × 3/4" KNOCKOUTS $\phi = 28.50$ [$\phi = 1.122$]
MIRROR



CUTAWAY VIEW A-A

DESCRIPTION
TRADE REFERENCE TERMS

This data sheet is for reference only. GARVIN INDUSTRIES reserves the right to make changes to the design without prior notice.

STANDARD PACKING	GARVIN INDUSTRIES		
	TITLE 4-11/16" SQUARE "DRAWN" BOXES (2-1/8" DEEP)		
25 PCS	SIZE A4	DWG NO. 72171-SVT	REV B
	DATA SHEET		