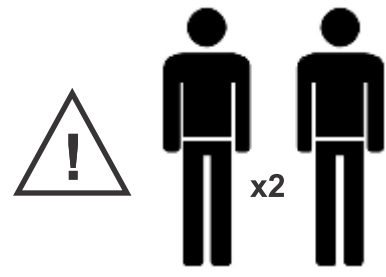
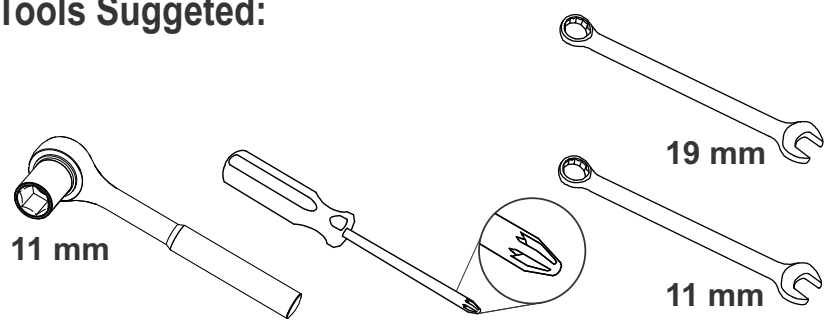
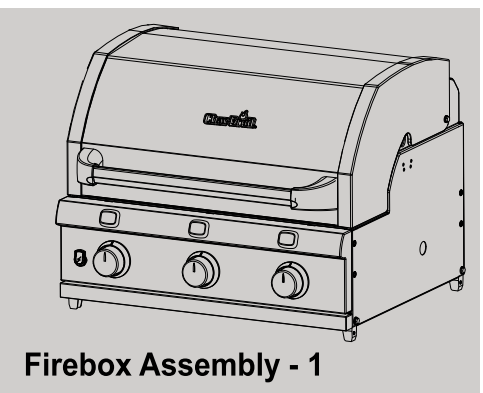
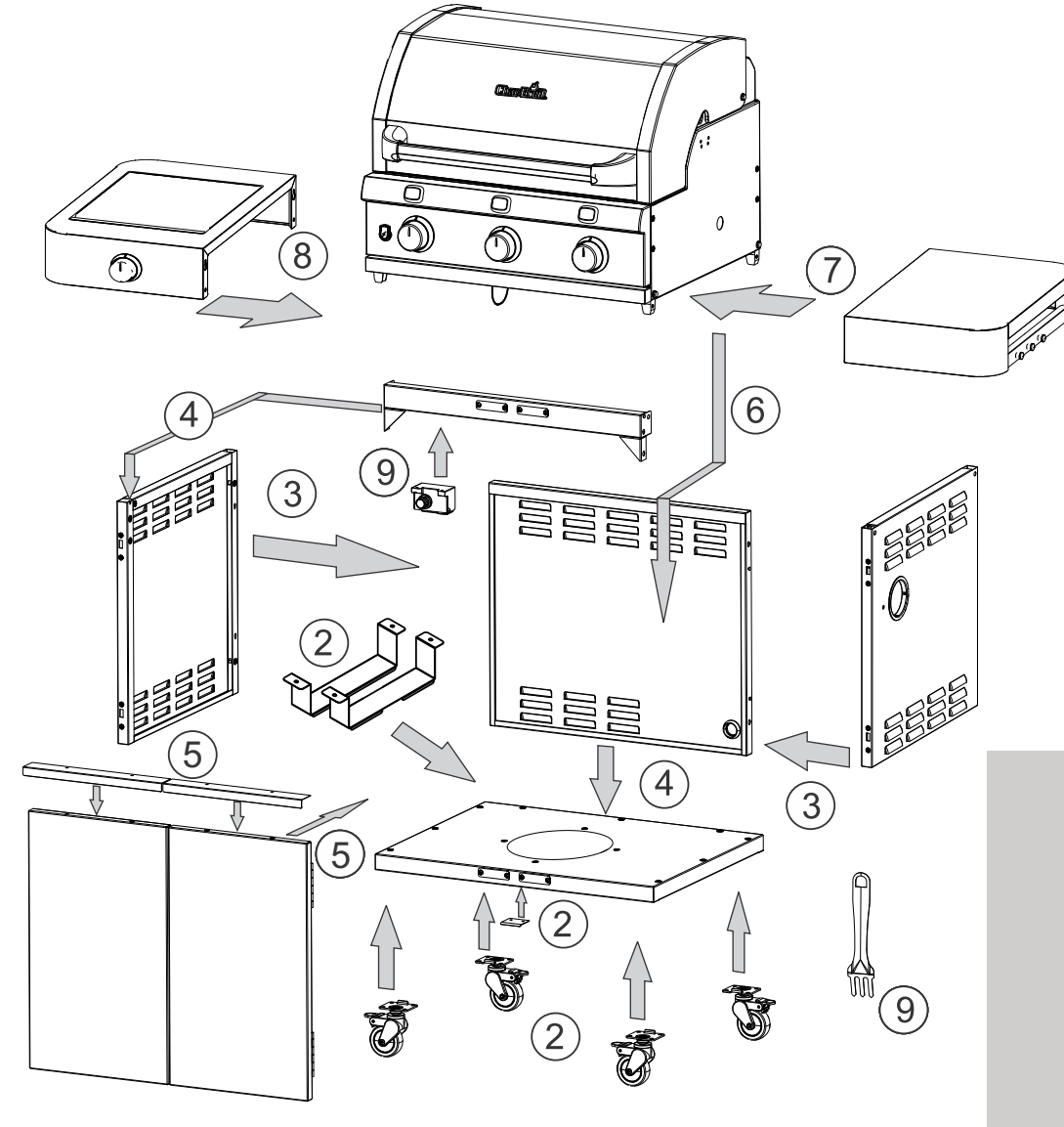
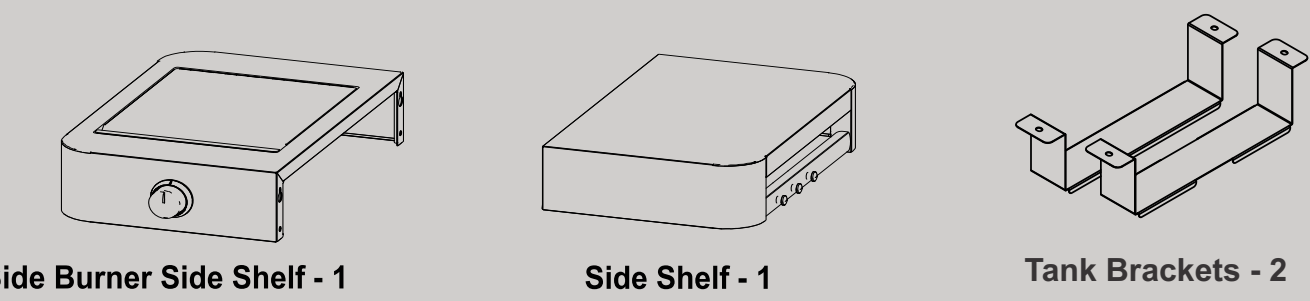
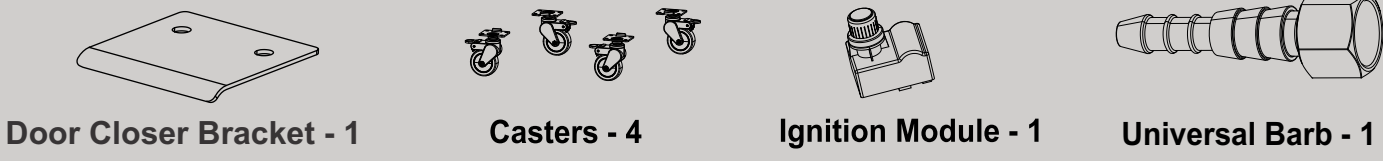
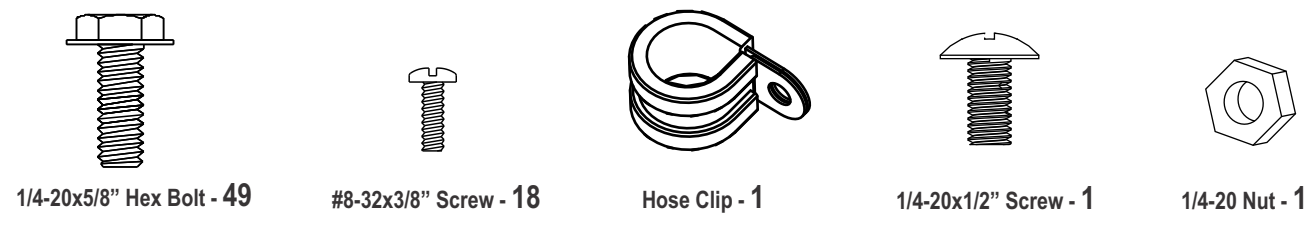


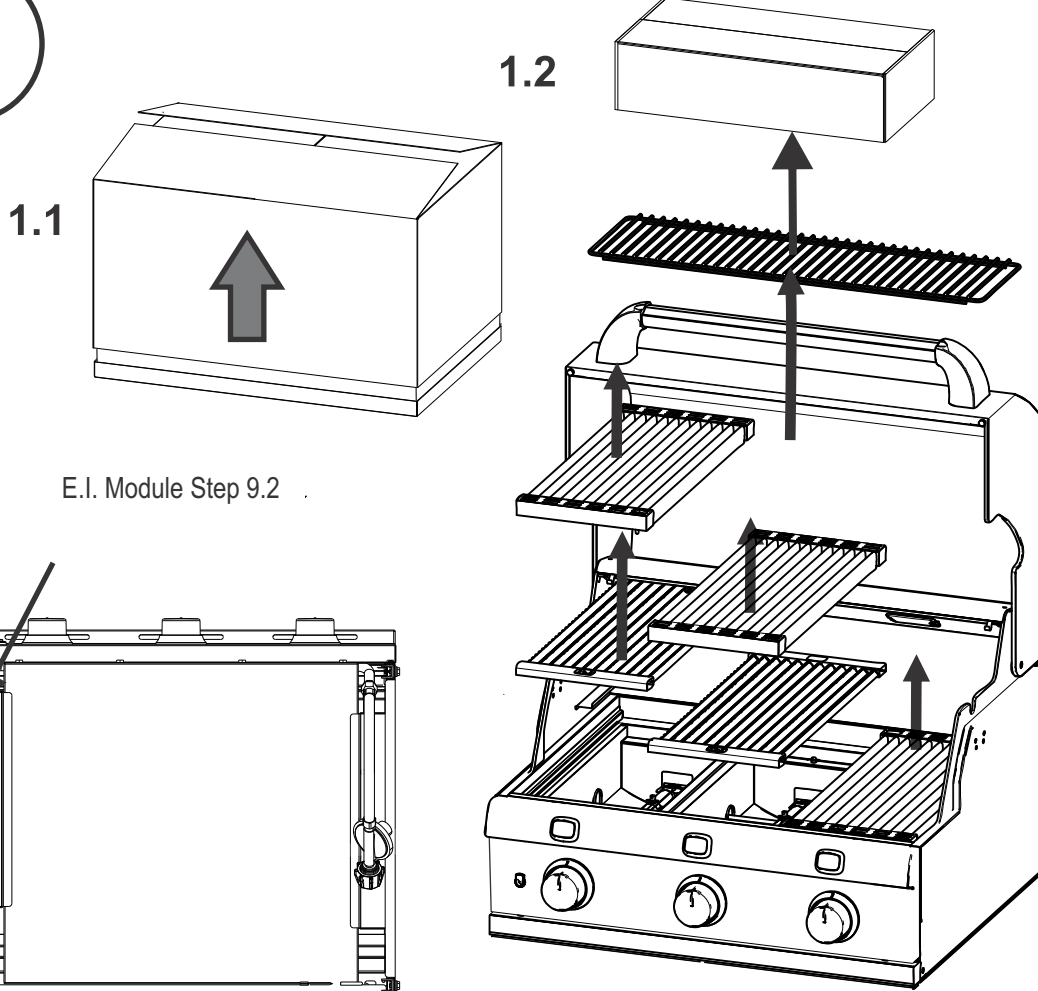
Tools Suggested:



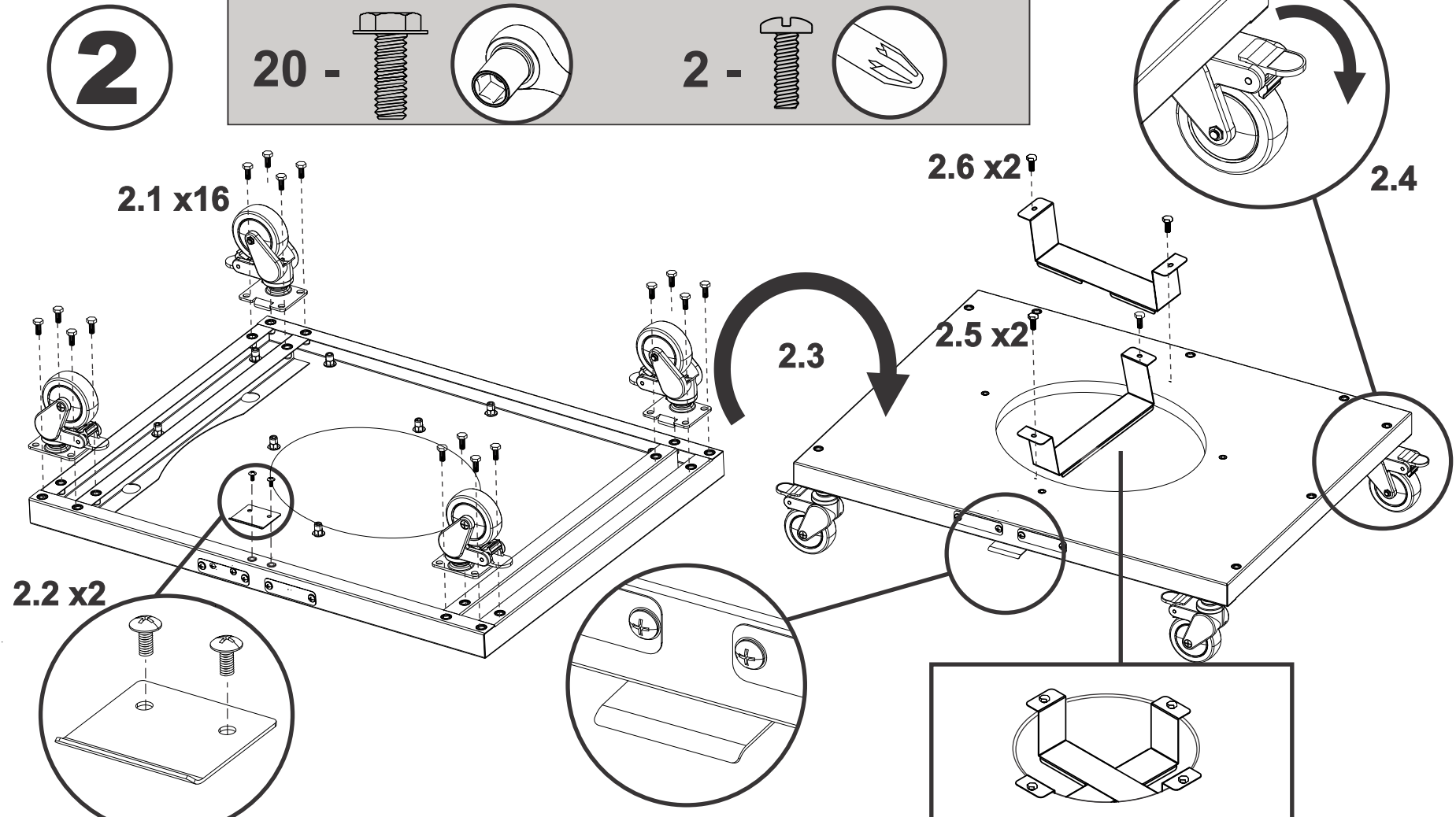
NOTE: Assemble your grill on a clean, level surface.



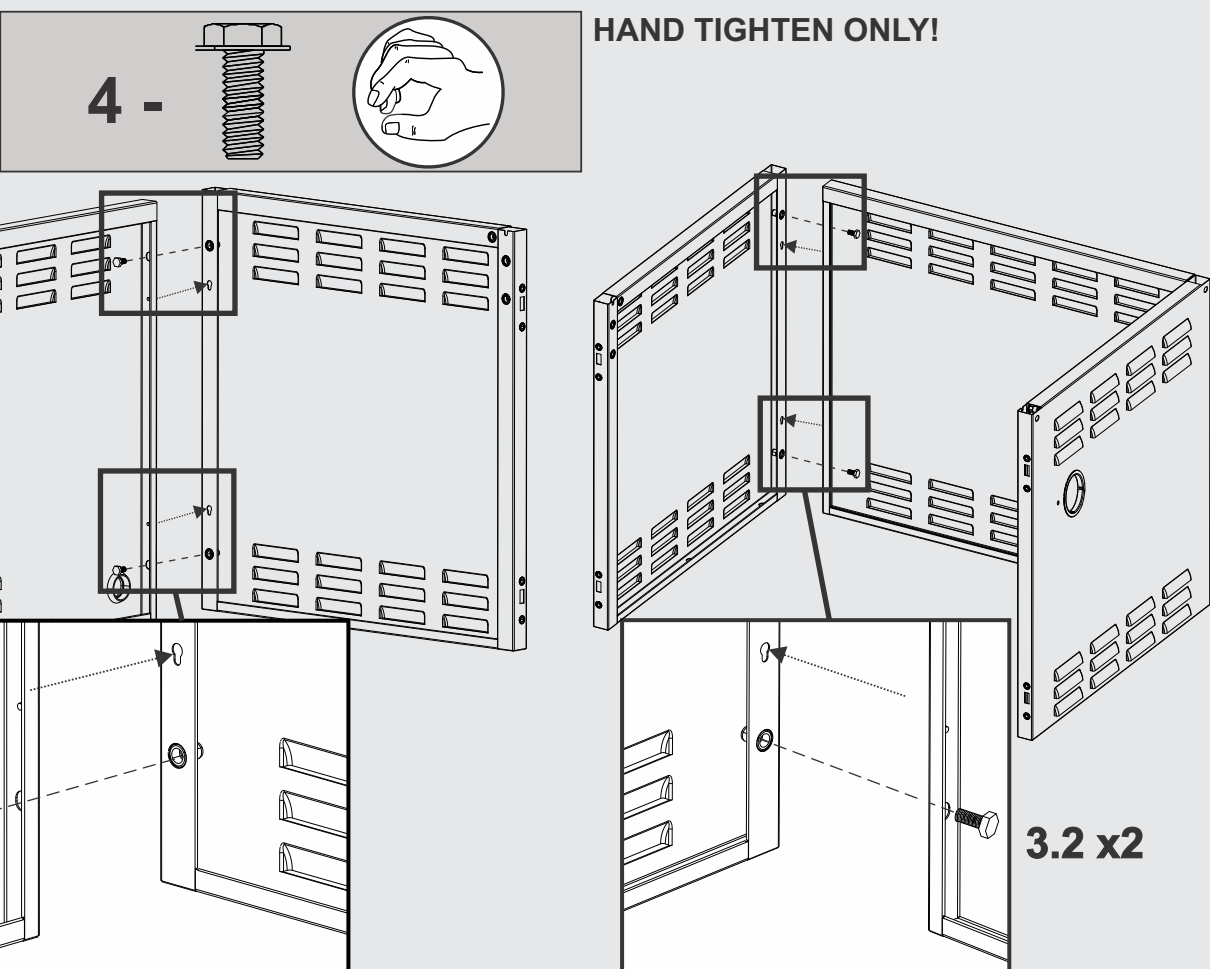
**1**



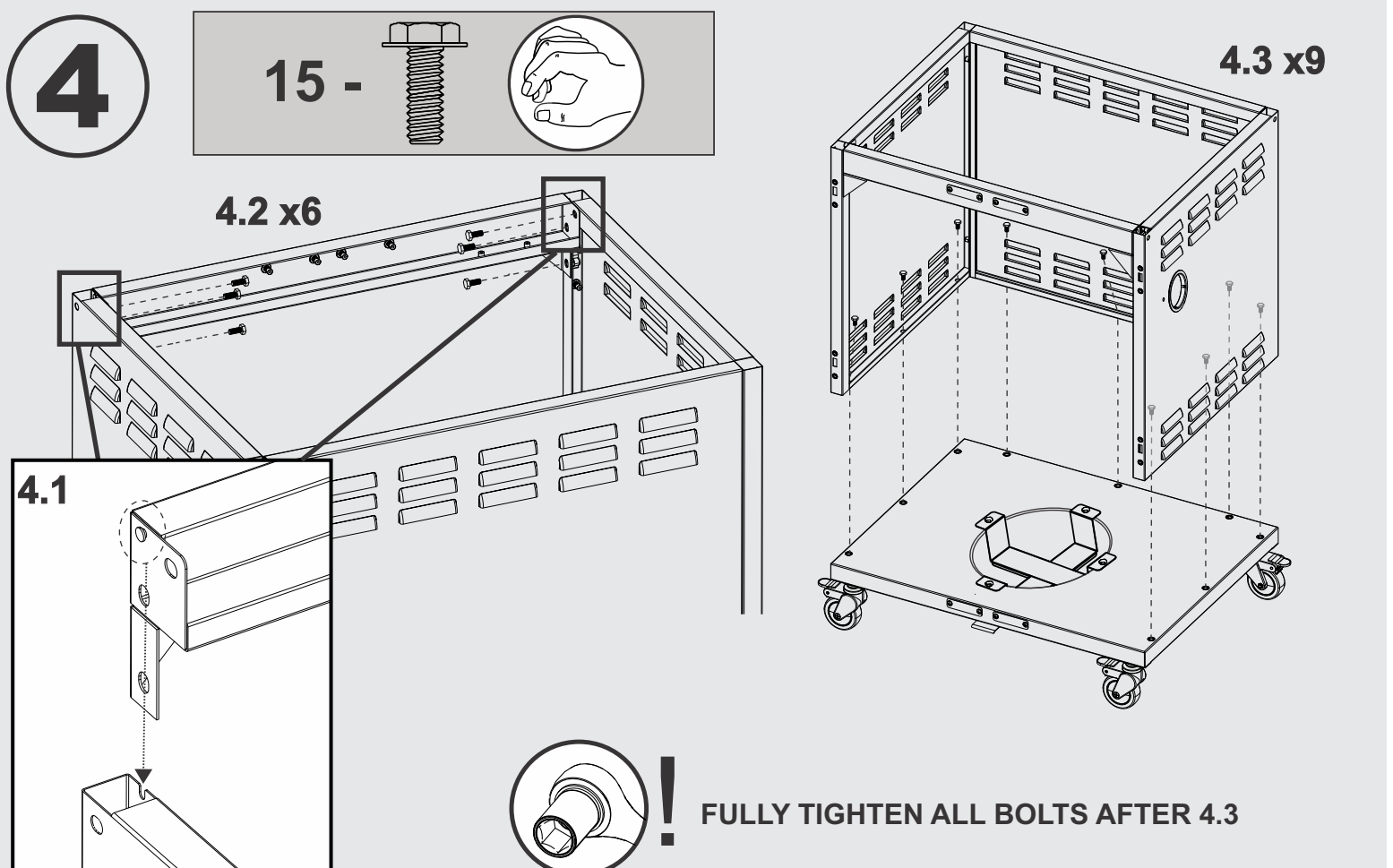
**2**



**3**





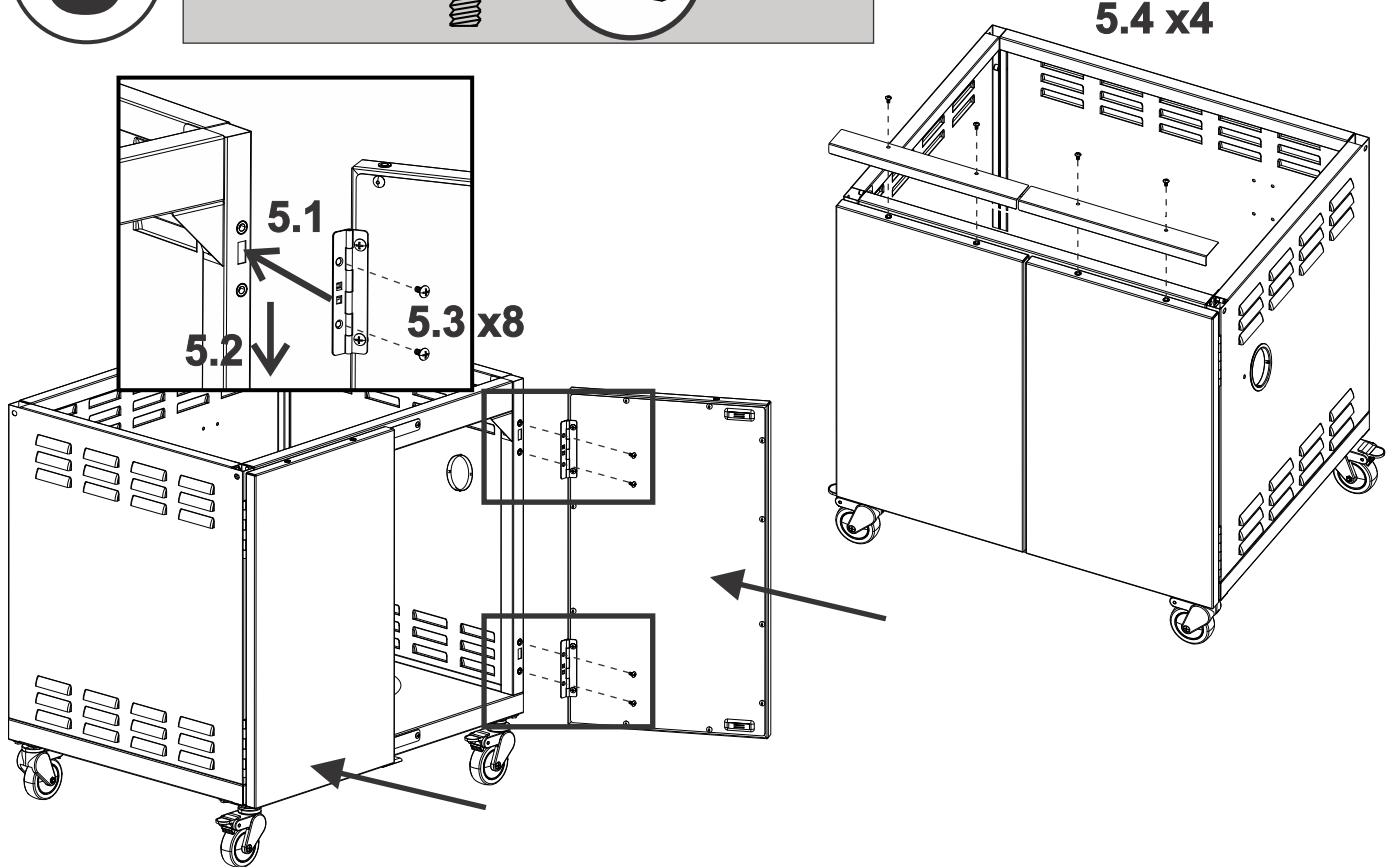
**4**







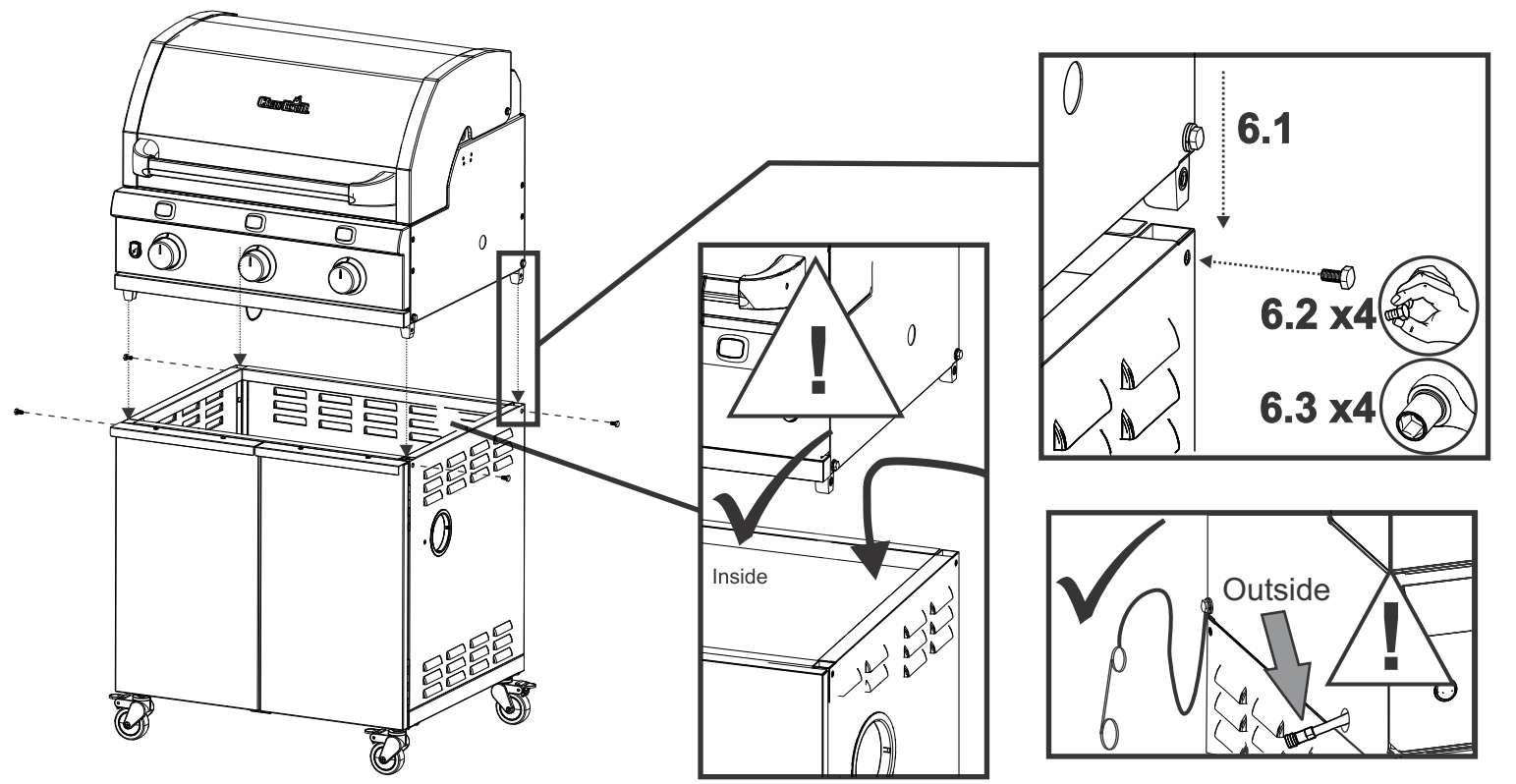
FULLY TIGHTEN ALL BOLTS AFTER 4.3

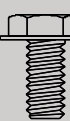



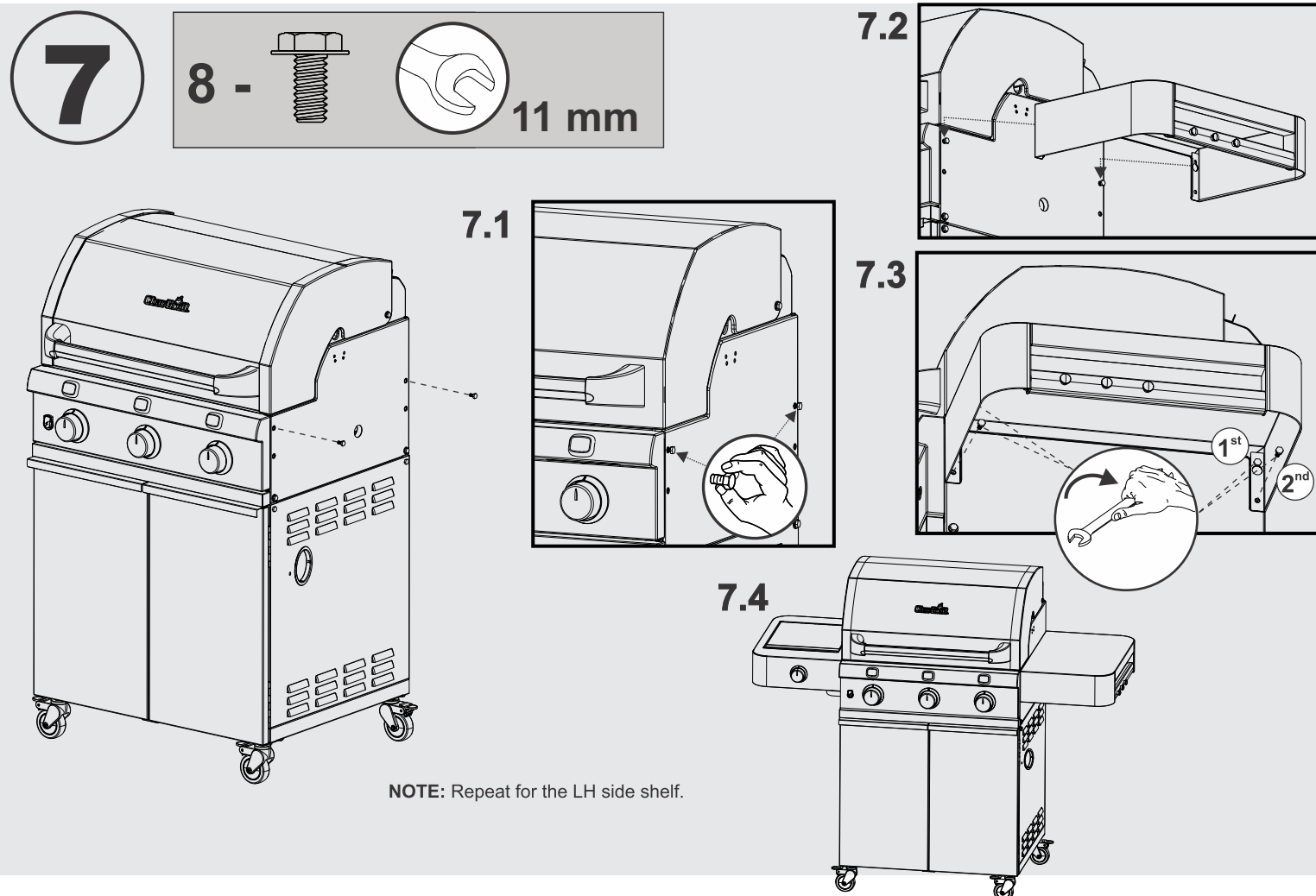
**5** 12 -  



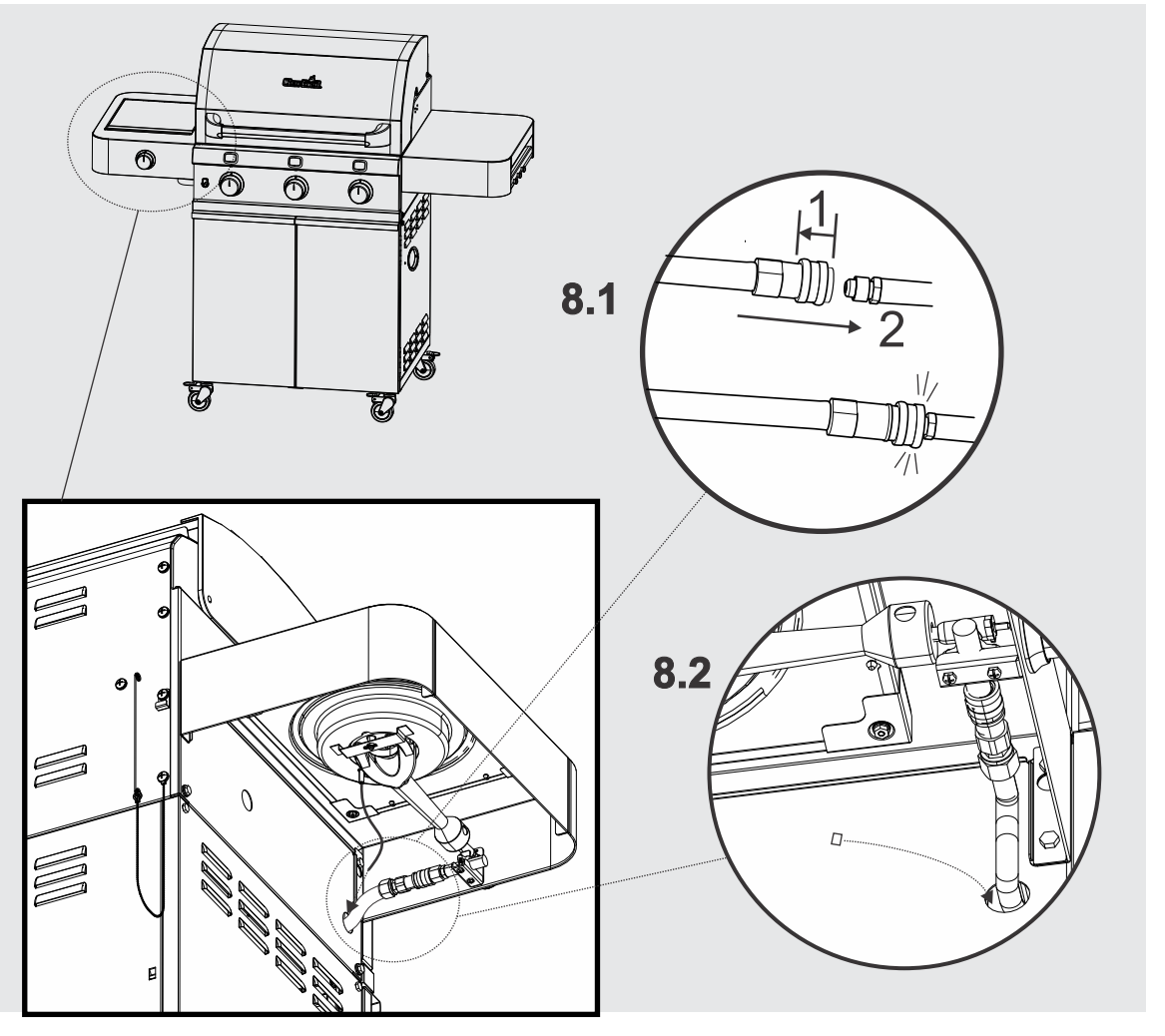
**6**   x2 4 -  

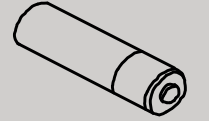
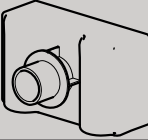




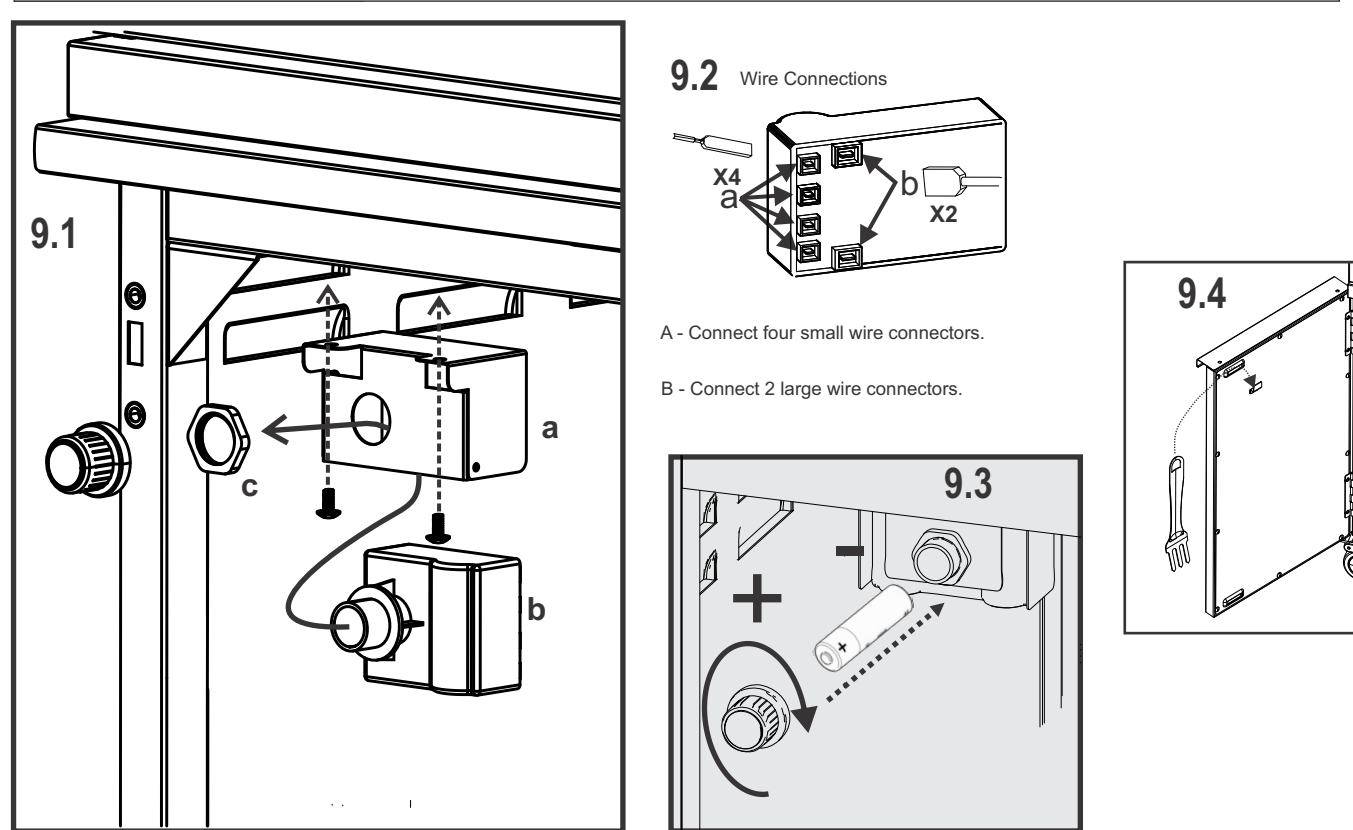
**7** 8 -   11 mm



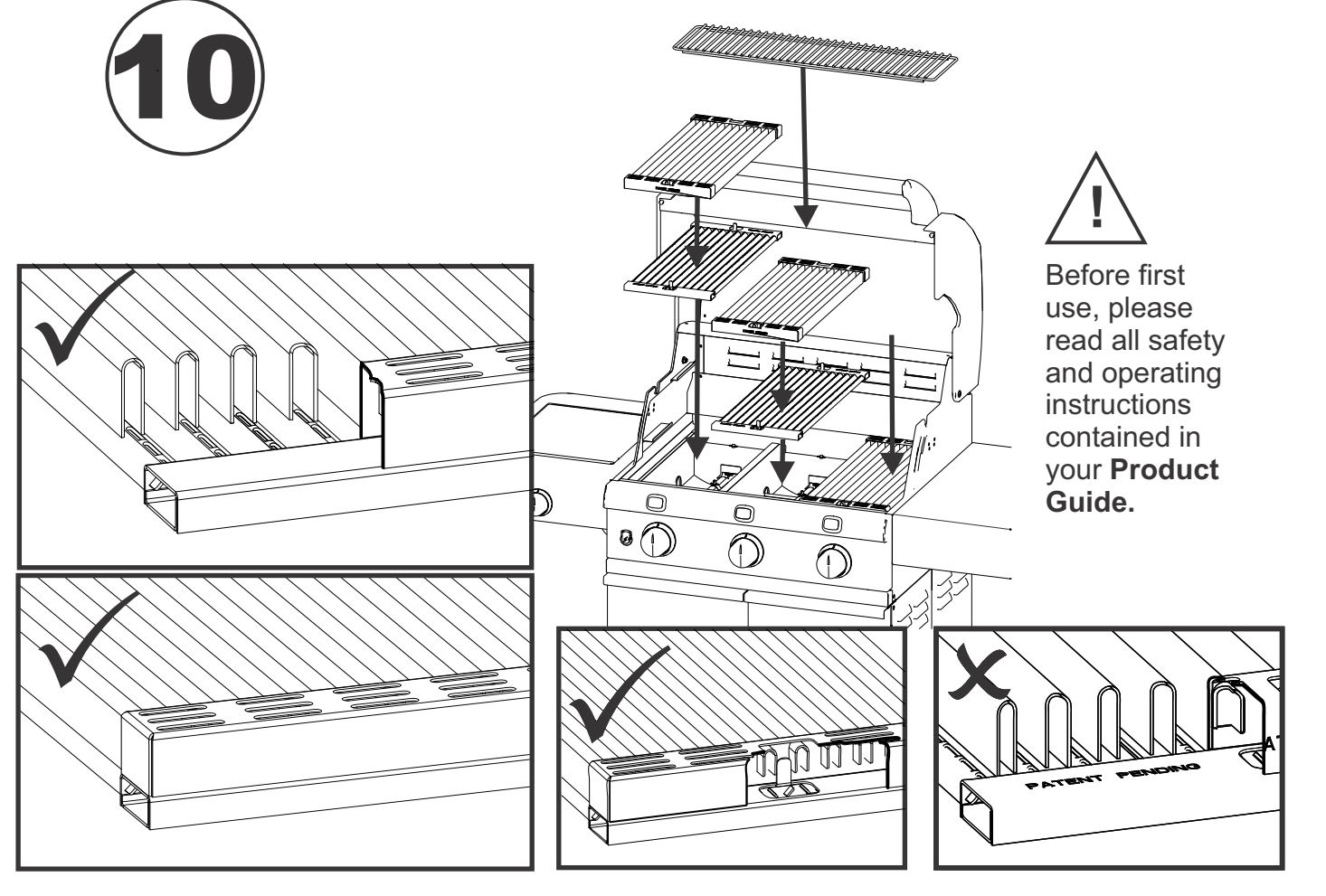
**8**

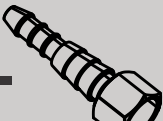

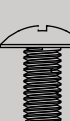





**9** 1 -   2 -  



**10**



**11** 1 -      11 mm  19 mm 