

PM#Y7958A1-3HA(rev#0)
 Flat Size: 8.07”(W) x 12.72”(H)
 Material: 450 gsm artboard (white inner)
 Ink: 4C/1C
 Coating: UV
 Others: Tape
 Ref#Ward20240424



Soft,
non-slip
backrest

No extra
parts or
slings



SURE COMFORT® 4-IN-1 RECLINING TUB



1
Newborn | 0-3m
Secure support for first baths
(no complicated slings!)



2
Growing baby | 3-6m
Mid-recline and bum
bumper prevent slipping



3
First time sitters | 6-9m
Top recline provides back
support for unsteady sitters



4
Toddler time | 9-24m
Plenty of room for fun with
upright back and comfy seat

Fits in most sinks and adult tub

Instructions on reverse side. Carefully read and follow all instructions before use.

help@thefirstyears.com / 1-800-704-8697 / www.thefirstyears.com

THE FIRST YEARS is the trademark of TOMY, registered in the U.S. and other countries.

© 2024 TOMY, TOMY INTERNATIONAL, 2015 SPRING RD., OAK BROOK, IL 60523 USA.

ALL RIGHTS RESERVED. STYLES AND COLORS MAY VARY. MADE IN CHINA. Y7958 240118
 For patent information, please visit www.thefirstyears.com/patents. Patent pending.

TOMY



SURE COMFORT® 4-IN-1 RECLINING TUB

Instruction Manual Y7958

**READ ALL INSTRUCTIONS BEFORE USING.
KEEP THESE INSTRUCTIONS FOR FUTURE REFERENCE.
FOR HOUSEHOLD USE ONLY.**

⚠ WARNING

Drowning Hazard: Babies have **drowned** while using infant bath tubs.

To prevent drowning:

- **Stay in arm's reach** of your baby.
- **Never** rely on a toddler or preschooler to help your baby or alert you to trouble. Babies have drowned even with other children in or near bath tub.
- Babies can drown in as little as **1 inch** of water. Use as **little water as possible** to bathe your baby.
- Use in **empty** adult tub or sink.
- Keep drain **open** in adult tub or sink.

Fall Hazard: Babies have suffered head injuries falling from infant bath tubs.

To prevent falls:

- Place tub **only** on level surface in sink or adult tub.
- **Never** lift or carry baby in tub.
- **Never** allow other children to substitute for adult supervision.

Important: Never place child in tub until you have tested the water temperature by touch.

Note: Typical water temperature for a bathing baby should be between 90°F and 100°F (32.2°C and 37.8°C)

USING TUB:

Can be used on sink or in adult tub.

To Use in Sink: Place one side of the tub on your sink's edge with the opposite side of the tub on the opposite edge (Fig. A).

NOTE: In larger sinks, the tub may be able to fit fully inside the sink. This tub may not fit all sinks.

CAUTION: Before using, check to ensure product is firmly positioned.

1. Shift tub to one side as far as it will go.
2. Push down firmly to confirm tub stability in this position.
3. Shift tub in opposite direction as far as it will go, and repeat step 2.

CAUTION: If tub does not feel secure after this test, do not use in sink.

Use in adult tub instead.

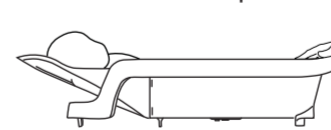
Using the Tub in Different Modes

The tub features four different modes. To adjust between recline positions, move the bar up or down the notches. Always ensure the bar is level across the notches before placing child in tub.

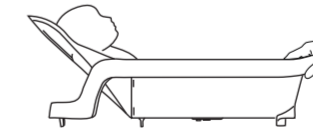
* Adult assembly required.

* **KEEP PACKAGING AWAY FROM CHILDREN.** Remove any plastic attachments and packaging before using.

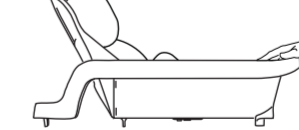
Please retain all product information for future reference.



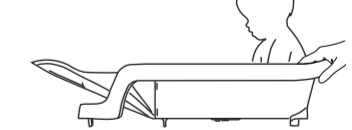
Newborn | 0-3m
Lowest recline position allows you to easily give your newborn sponge baths.
NOTE: Until the umbilical cord stump has healed, you should avoid getting this area wet.



Growing Baby | 3-6m
Middle recline position and bum bumper prevent slipping.

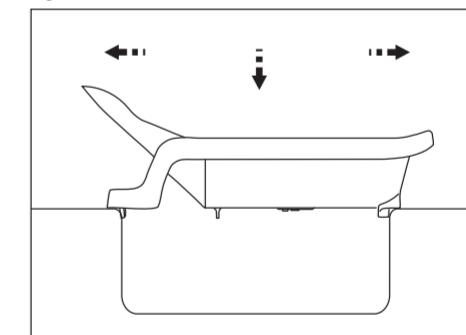


First Time Sitters | 6-9m
Top level recline position with bum bumper provides support for unsteady sitters.



Toddler | 9-24m or 25 pounds
Seat toddlers on the opposite side of tub for room to play.

Fig. A



help@thefirstyears.com / 1-800-704-8697 / www.thefirstyears.com

THE FIRST YEARS is the trademark of TOMY, registered in the U.S. and other countries.

© 2024 TOMY, TOMY INTERNATIONAL,

2015 SPRING RD., OAK BROOK, IL 60523 USA.

ALL RIGHTS RESERVED. STYLES AND COLORS MAY VARY.

MADE IN CHINA. Y7958 240422

For patent information, please visit www.thefirstyears.com/patents.

TOMY

Discontinue use if product becomes damaged, broken or disassembled.

To Clean & Store:

Clean tub with damp cloth, mild soap, and warm water. Rinse and let air dry before storing.