

# FLEXSTEEL®

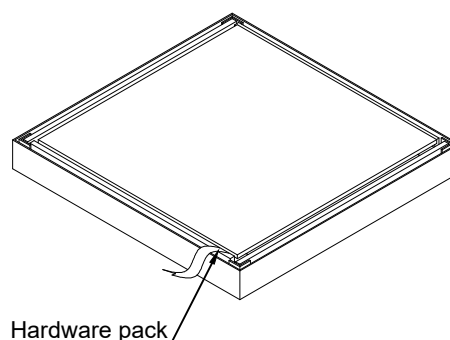
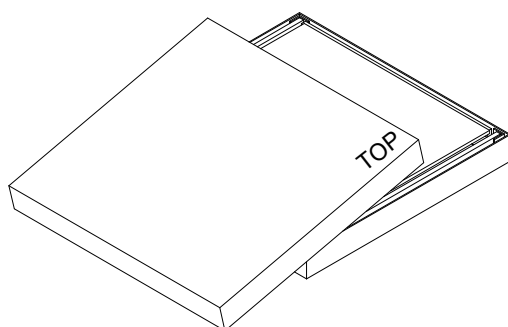
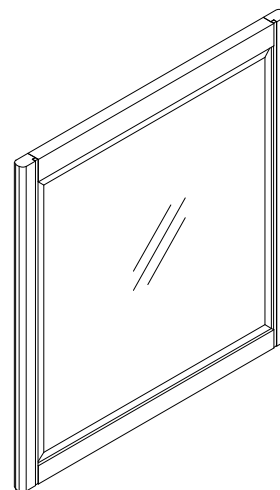
## W1029-880

### Mirror

#### IMPORTANT

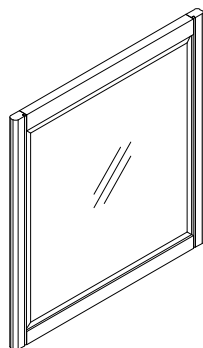
Carefully remove all parts from the carton, and put them individually on a soft cloth to prevent damage to the parts.

We have taken great care in the design of this product and request that you carefully and accurately follow our assembly instructions to ensure proper set-up.



#### Part List

#### Assembly Instructions 1/2

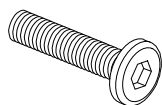


A. Mirror  
1 piece



B. Mirror Support  
2 pieces

#### Hardware List



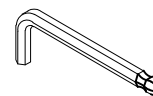
Bolt  
Ø1/4" x 20 UNC x 1-1/2"  
8 pieces



Spring Washer  
Ø1/4" x 1.5mm  
8 pieces



Flat Washer  
Ø1/4" x Ø22 x 1.5mm  
8 pieces



Hex Key  
5/32"  
1 piece

# FLEXSTEEL®

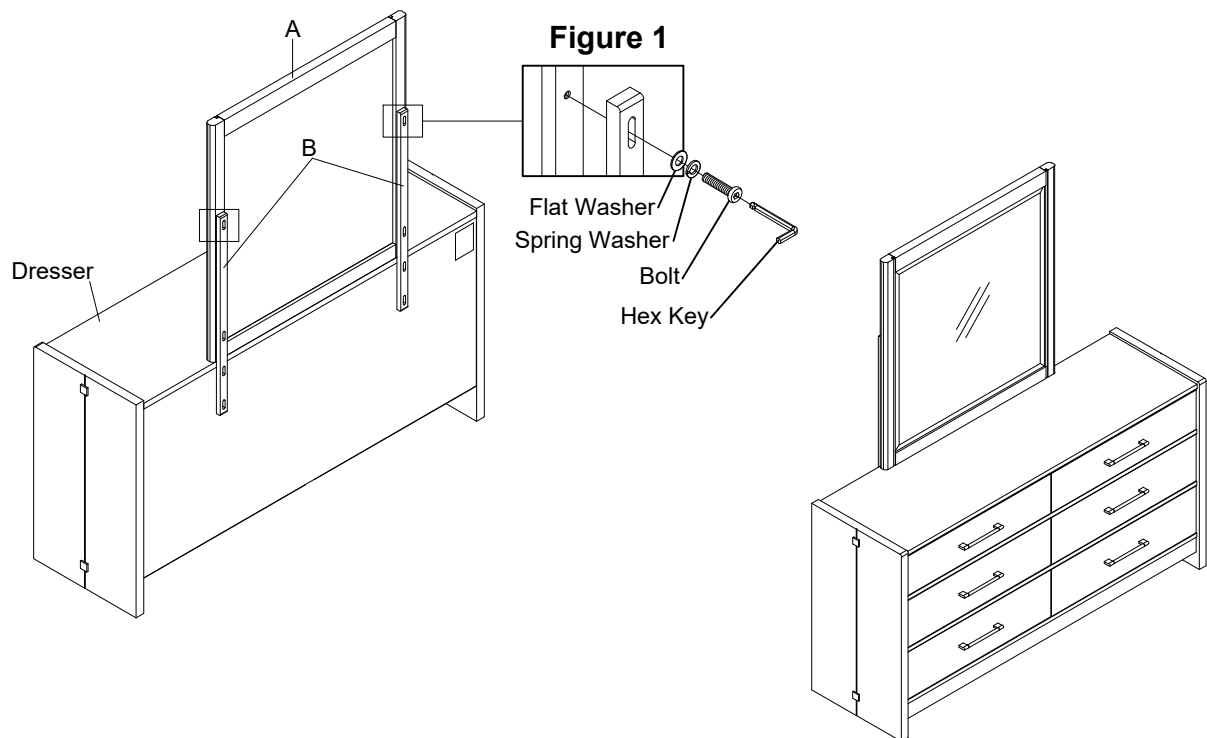
## Assembly Instructions 2/2

### IMPORTANT NOTES

- Do not tighten up all the bolts until each part is properly assembled.
- Keep the Hex Key and Spanner Wrench in a safe place as you may need to tighten up the bolts in the future.
- Use a soft cloth between these parts and the floor.
- We recommend this product be assembled by at least two adults.

### STEP 1

Connect the Mirror Support (B) to Mirror (A) and Dresser. Insert Bolt, Spring Washer, Flat Washer and fully tighten bolts with Hex Key. (See Figure 1)



### CARE INSTRUCTIONS

- To avoid scratches, do not place sharp or jagged objects directly on the cabinet.
- Do not place hot items directly on the mirror.
- Use placemats or trivets under hot items and coasters under beverages to prevent marks and stains.
- Avoid the use of harsh chemicals or abrasive cleaning materials.
- Wipe the mirror clean with a soft, dry cloth after each use.
- Wipe up spills quickly with a soft, dry cloth.

Flexsteel Industries, Inc.

For Parts or Customer Service call  
toll-free:

1-888-415-3979

Monday-Friday

8:00 a.m. -5:00 p.m.

(Central Time)

Email:

customersolutions@flexsteel.com

www.flexsteel.com