


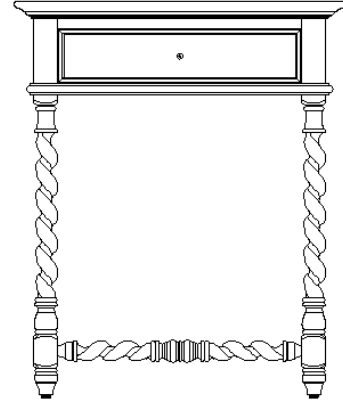


ASSEMBLY INSTRUCTION

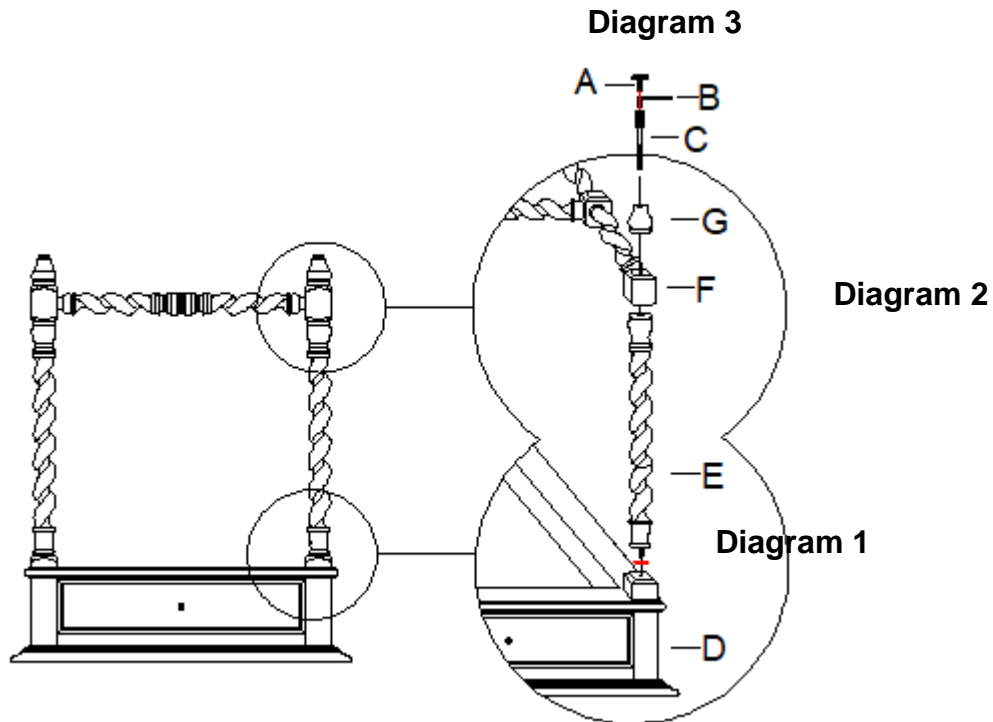
ITEM# 6960-90015-45 Moulin Telephone Table

**** Please make sure you have all parts indicated below prior to assembly.
This nightstand is heavy and can best be assembled with the help of two or more people.**

NO.	HARDWARE LIST		Q'TY
A		Adj. Leveler	4
B		Allen Wrench	1
C		Bolt	4



Assembly Steps:



1. Place nightstand top (D) upside down on a soft surface to prevent it from being scratched.
2. Screw posts (E) into top with clockwise direction. (See Diagram 1)

3. Place stretcher (F) and feet (G) onto posts (E) and make sure all holes are in alignment.
4. Stick bolts (C) through feet (G) and stretcher (F) into posts (E) and tighten with allen wrench (B).
5. Insert adj. levelers (A) into feet (G) by turning with clockwise direction and adjust leveler if needed to level case on uneven floor (See Diagram 2)

Cleaning Instruction: Clean finished parts with a damp cloth using a mild dishwashing liquid and water solution. Polish the finish with soft cloth and an industry recognized furniture polish.