

# ADAPTIVE 60W

## Dimmable 12V DC & 24VDC Power Supply

The Adaptive LED Driver series are class 2 rated and designed to operate with any standard ELV, MLV, & Incandescent TRIAC (Leading edge) dimmer switch and is forward phase and reverse phase compatible. Encased in a low profile aluminum enclosure that includes knock-outs for easy and quick installation makes it the perfect choice for under cabinet lights, tape light and various LED fixture installations.

- 12V or 24V DC constant voltage hardwire driver
- Dimmable with standard TRIAC, MLV, and ELV dimmers
- Forward phase and reverse phase compatible
- Short circuit, over-load, and over-temperature protections
- Slim, compact aluminum housing design (only 1.02" tall)
- Integrated wiring compartment
- PWM Output with 10-100% load operation
- Free air convection cooling
- Class 2, Class P, Type HL, FCC compliant, cULus Listed, Wet location rated



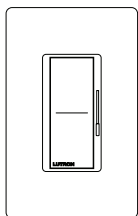
### ADAPTIVE - 60W QUICK SPECS

|                       |  |
|-----------------------|--|
| <b>SERIES</b>         | ADPT-DRJ 60W                                   |
| <b>INPUT VOLTAGE</b>  | 100-277V AC                                    |
| <b>INPUT CURRENT</b>  | 0.9A@100V                                      |
| <b>OUTPUT VOLTAGE</b> | 12VDC / 24VDC                                  |
| <b>RATED CURRENT</b>  | 5A@12VDC / 2.5A@24VDC                          |
| <b>POWER FACTOR</b>   | 0.98@120V / 0.95@277V                          |
| <b>MIN LOAD</b>       | 6W   |
| <b>MAX LOAD</b>       | 60W  |
| <b>EFFICIENCY</b>     | > 83%  |
| <b>DIMENSIONS</b>     | 7.4" (188mm) L x 3.6" (90mm) W x 1.02" 40mm) H |
| <b>DIMMING</b>        | Phase Dimming / MLV / ELV / TRIAC              |
| <b>STORAGE TEMP</b>   | -40°F to 176°F (-40°C to 80°C)                 |
| <b>AMBIENT TEMP</b>   | -40°F to 140°F (-40°C to 60°C)                 |
| <b>OPERATING TEMP</b> | -40°F to 140°F (-40°C to 60°C)                 |
| <b>RATING</b>         | cULus Listed for Wet locations                 |

### ADAPTIVE - 60W ORDERING INFORMATION

| ITEM NUMBER    | DESCRIPTION                         |
|----------------|-------------------------------------|
| ADPT-DRJ-60-12 | Adaptive Pro 12V - 60W Power Supply |
| ADPT-DRJ-60-24 | Adaptive Pro 24V - 60W Power Supply |

### ADAPTIVE - 60W QUICK SET UP



Dimmer Switch



Adaptive 60W Power Supply



24V LED Fixture

PROJECT: \_\_\_\_\_

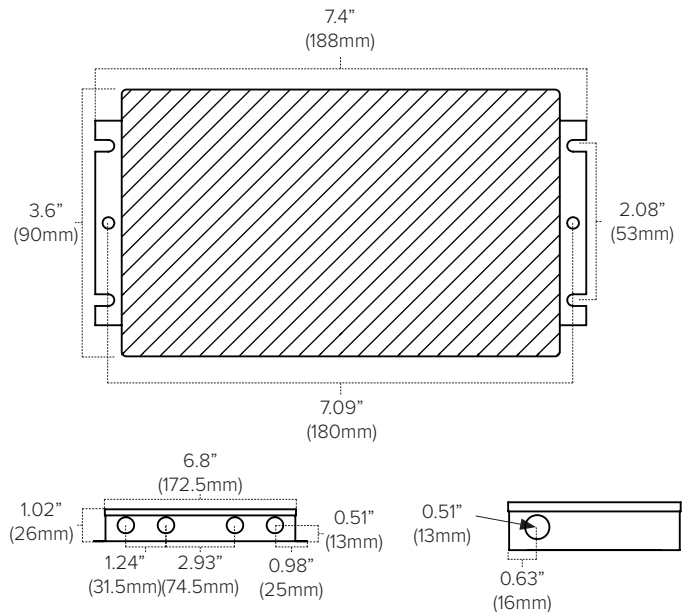
TYPE: \_\_\_\_\_

LOCATION: \_\_\_\_\_

CATALOG NUMBER: \_\_\_\_\_



### ADAPTIVE - 60W QUICK DIMENSIONS



**ADAPTIVE - 60W TRIAC/ELV/MLV DIMMING WIRING DIAGRAM**

