

## Two-Way Transfer Valve

### FEATURES:

- Brass body construction
- Three port transfer valve with (1) 1/2" female copper sweat inlet (2) 1/2" female copper sweat outlets
- Transfer valve with ceramic cartridge
- Supports back-to-back installation
- Includes rough-in template and 1/2" pipe plug

### TRIM OPTIONS:

- CPT-1110
- CPT-1123
- CPT-1124
- CPT-1183

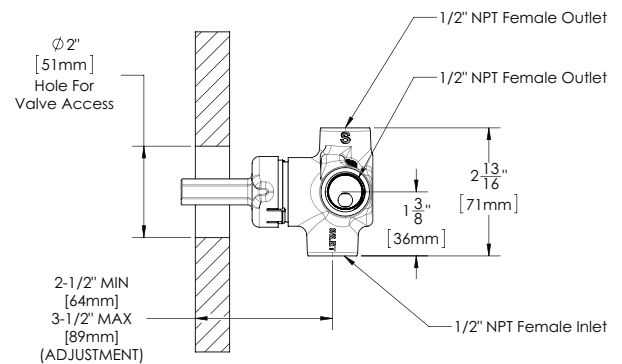
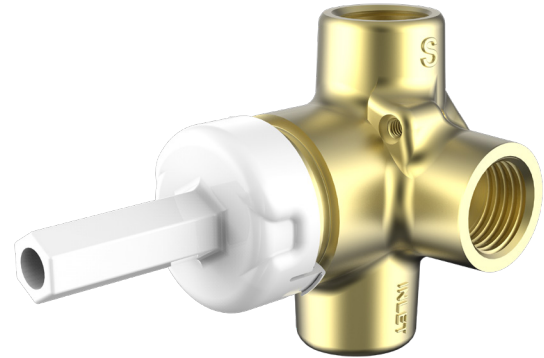
### STANDARDS:

- ASME A112.18.1/CSA B125.1 certified

### WARRANTY:

Visit [www.speakman.com](http://www.speakman.com) for full product warranty information

- 5 Year Limited Warranty (commercial)
- Limited Lifetime Warranty (residential)



All dimensions are in inches (millimeters) unless otherwise specified and are subject to change without notice.

Architect/Engineer Approval Space:

P: 800-537-2107  
 F: 800-977-2747  
 W: WWW.SPEAKMAN.COM  
 R: 02-JANUARY 2020