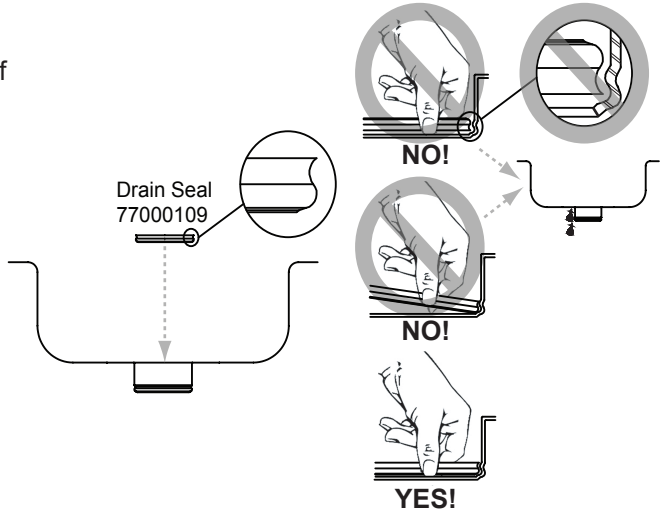


For all non-disposer installations in stainless steel Perfect Drain™ sinks.

## STEP 1

Install and properly seat **Drain Seal** within groove of **Flange** of Perfect Drain™. Incorrect installation may allow leaks and void the warranty!

**NO additional Sealant or Plumber's Putty is required.**



## STEP 2

Properly seat **Drain Body** into Perfect Drain.

Place **Gasket** over Perfect Drain™.

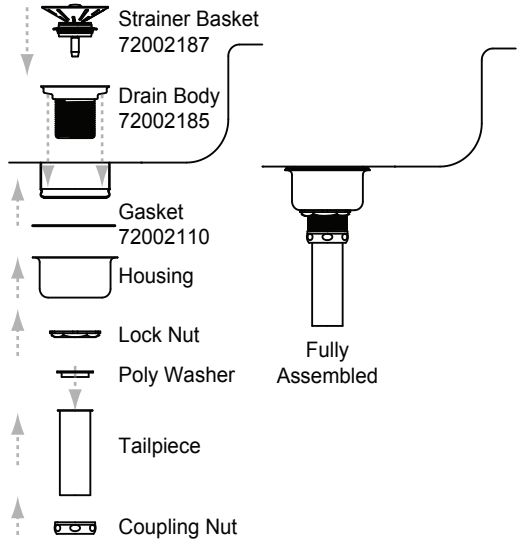
Install **Housing** over Perfect Drain™.

Thread **Lock Nut** onto **Drain Body**.

Place **Poly Washer** on **Tailpiece**.

Install **Tailpiece Assembly** onto **Drain Body** with **Coupling Nut**.

Check for leaks and place **Strainer Basket** into **Drain Body**.



**BE CAREFUL TO NOT OVER TIGHTEN THE FITTINGS.**

In keeping with our policy of continuing product improvement, Elkay reserves the right to change product specifications without notice. Please visit [elkay.com](http://elkay.com) for most current version of Elkay product specification sheets.

This specification describes an Elkay product with design, quality, and functional benefits to the user. When making a comparison of others producers offerings, be certain these features are not overlooked.

# Stainless Steel Perfect Drain™ InSinkErator® Disposer Installation Instructions

**in sink erator®**

Elkay® Perfect Drain™ sinks are designed and approved for compatible disposers manufactured by InSinkErator® utilizing the Quick Lock® mounting configuration.

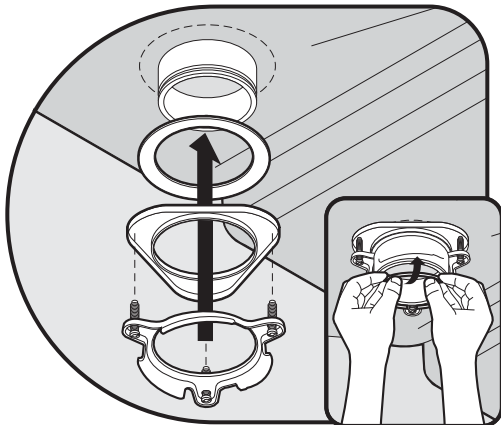
Use of non-approved disposers may void Elkay warranty.

InSinkErator, Quick Lock and the mounting collar configuration are trademarks of Emerson Electric Co.



## To install garbage disposer onto Elkay® Perfect Drain™ Stainless Steel Sink:

1. Locate appropriate step in disposer installation guide (provided with garbage disposer) represented by image below:



2. Disassemble Quick Lock® mounting assembly components provided with disposer (1, 2, 3, 4, 5, 6)
3. Sink Flange component (1) is not required, as it is integrated into the Perfect Drain Sink bowl.
4. Follow remaining installation steps as outlined in disposer installation guide, utilizing remaining components (2, 3, 4, 5, 6)



(1)  
Sink  
Flange



(2)  
Fiber  
Gasket



(3)  
Backup  
Flange



Install Quiet Collar®  
Sink Baffle into Flange



(4)  
Mounting  
Ring



(5)  
Screws



(6)  
Snap  
Ring

### **WARNING!**

**OVER-TIGHTENING OF MOUNTING ASSEMBLY SCREWS (5) COULD CAUSE PERMANENT DEFORMATION OF SINK. DO NOT USE POWER TOOLS TO TIGHTEN!**

For further assistance, contact  
InSinkErator® Customer Service Line  
1.800.558.5700  
or visit [www.insinkerator.com](http://www.insinkerator.com)

# DUAL REVEAL

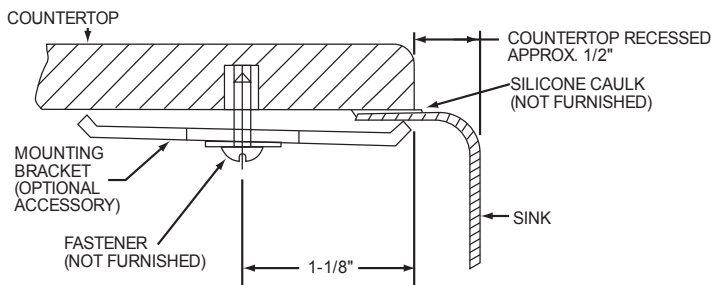
## Installation Instructions

### ATTENTION INSTALLER:

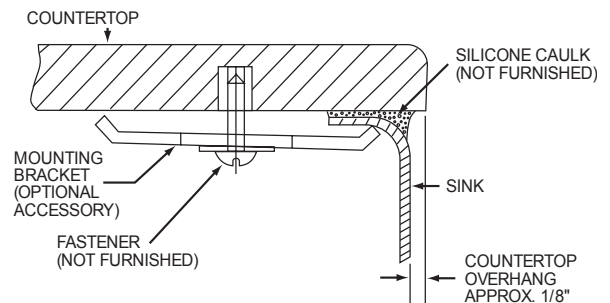
- 1) ELKAY RECOMMENDS THAT UNDERMOUNT SINKS SHOULD BE INSTALLED BY A PROFESSIONAL EXPERIENCED INSTALLER.
- 2) ENCLOSED IN THE SINK CARTON IS A DUAL PURPOSE TEMPLATE THAT CAN BE USED TO MAKE EITHER A 1/2" SINK RIM REVEAL OR A 1/8" NO REVEAL INSTALLATION (SEE PICTURES BELOW). PLEASE USE CAUTION IN SELECTING THE CORRECT OUTLINE ON THE TEMPLATE FOR YOUR DESIRED INSTALLATION TYPE. YOUR INSTALLER MAY ALSO RETRIEVE THE DESIRED DXF FILE FROM OUR WEBSITE, [WWW.ELKAY.COM](http://WWW.ELKAY.COM).
- 3) ELKAY UNDERMOUNT SINKS SHOULD ONLY BE FASTENED TO A SOLID SURFACE COUNTERTOP (I.E. GRANITE / CORIAN / SILESTONE ).
- 4) ELKAY IS NOT RESPONSIBLE FOR SINK OR COUNTERTOP IF DAMAGED DURING INSTALLATION.
- 5) METAL EDGES MAY BE SHARP – USE CAUTION WHEN HANDLING.
- 6) FOLLOW ALL LOCAL PLUMBING AND BUILDING CODES.
- 7) INSPECT SINK FOR DAMAGE PRIOR TO BEGINNING INSTALLATION.

### INSTALLATION

1. Position template on countertop. Locate the template front to rear, so that sink will not interfere with the cabinet.
2. Trace a line around the template. Cut along the inside of this line to provide opening.
3. Locate and drill the mounting holes (following the countertop manufacturer's instructions) as shown below. Holes should allow even spacing of mounting brackets around the sink. Type of fasteners to be as recommended by countertop supplier.
4. Fasten mounting brackets (optional accessory-LKUCLIP8) to countertop loosely.
5. Using a good quality silicone caulk, apply a bead evenly all around the top of the sink flanges.
6. Position and align sink over the countertop opening. Press silicone onto countertop.
7. Tighten fasteners until mounting brackets are snug against sink.
8. Check alignment of sink to countertop opening.
9. Tighten down fasteners evenly. Be careful not to overtighten. Remove excess silicone.



**1/2" SINK RIM REVEAL**



**1/8" NO REVEAL INSTALLATION**

## Suggestions for the Care and Cleaning of your Elkay Stainless Steel Sink

### RECOMMENDED CLEANSERS

Elkay has tested general household cleansers to measure their effectiveness in cleaning stainless steel sinks. The most aggressive cleansers consist of Bar Keeper's Friend, Zud and Lawrence Right Work. Other cleansers, which are still effective, but less aggressive include Ajax, Comet, Shiny Sinks Plus, Luneta, Soft Scrub, Mr. Clean, Maas and Flitz. The non-abrasive formula is safe and effective for day to day cleaning. So to help maintain the beautiful finish of your stainless steel sink, use one of the cleansers that Elkay recommends.

### RECOMMENDATIONS FOR PROPER MAINTENANCE

- **Do...**Rinse thoroughly after each use. "Thorough" rinsing can be done by running water for a few minutes and rubbing the cleaned area with a clean sponge.
- **Do...**Towel dry after each use to prevent mineral deposits from building up on the surface of the sink.
- **Do...**Clean the sink once a week, being sure to rub in the direction of the finish grain lines, using an Elkay recommended cleanser.
- **Do...**Use an Elkay bottom grid or rinsing basket to "protect" the finish. Bottom grids and rinsing baskets can remain in the sink and will not cause rusting or pitting.
- **Do Not..** Rub the sink across the finish lines. Scouring across the finish lines can damage the original sink finish.
- **Do Not...**Allow soap or other household cleansers to dry on the surface of the sink. Most brands contain chemical additives which will affect the original finish.
- **Do Not...**Use solutions of chlorine bleach and water in the sink. Chlorides, which are found in most soaps, detergents, bleaches, and cleansers, are very aggressive to stainless steel. If left on the sink too long they can cause surface pitting.
- **Do Not...**Use a steel wool pad to clean your sink. If a more abrasive product is needed, use a green Scotch Brite pad being sure to rub in the direction of the finish grain lines. Steel wool pads have a tendency to break apart and small particles of steel can become embedded in the surface of the sink. The steel particles will rust and will give the appearance that the sink itself is rusting.

- **Do Not...**Use rubber mats or dishpans in the sink. Leaving rubber mats or dishpans in the sink can lead to surface rust or possible pitting. However, if you insist on using mats or dishpans, please remove them after each use and rinse thoroughly.
- **Do Not...**Leave wet sponges, cloths, or cleaning pads on the sink. This can lead to surface rust.

Following these recommendations for the care and cleaning of your stainless steel sink will insure that it will provide you with many years of service.

### CHLORIDES

Today, chlorides are found in most all soap, detergents, bleaches and cleansers; chlorides can be aggressive to stainless steel. However, chlorides are very water soluble. Therefore, THOROUGH RINSING of your sink after each use to remove any chloride residue and a weekly cleaning is all that is required to keep your sink looking bright and shiny.

### SCRATCHES

Like many metallic surfaces, your stainless steel sink will scratch. These are merely usage scratches and over time will blend into the overall finish of your sink with proper cleaning.

### KNIVES

Your sink is designed to serve as many things but not as a cutting board or chopping block. This type of use will lead to deep scratches in the sink finish and will dull your knives. Elkay does offer various cutting boards which provide an additional work area.

### WATER QUALITY

The quality of your water can affect your sink's appearance. If your water has a high iron content, a brown surface stain can form on the sink giving the appearance of rust. Additionally, in areas with a high concentration of minerals, or with over-softened water, a white film may develop on the sink. To combat these problems, we suggest that the sink be towel dried after use, and again, on a weekly basis, the sink should be cleaned using a recommended cleanser.

### FOODS

Heavy salt concentration or foods containing high levels of salt should not be allowed to dry on the sink surface. Rinse your sink thoroughly after use.

## ELKAY LIMITED LIFETIME SINK WARRANTY

Elkay warrants to the original purchaser of an Elkay stainless steel sink that Elkay will, at its option, replace or repair, without charge, such product if it fails due to a manufacturing defect for a lifetime of normal residential use. Product replacement does not include transportation cost or labor installation cost. This warranty covers only stainless steel self-rimming drop-in sinks installed in a conventional countertop surface and stainless steel undermount sinks installed in a conventional solid surface countertop and applies to residential installations only. Elkay reserves the right to examine product in question and its installation prior to replacement.

### WASTE FITTINGS AND ACCESSORIES ARE NOT WARRANTED OTHER WARRANTY CONDITIONS ON SINKS

This warranty applies to sinks purchased after March 1st 2001 as shown on the purchaser's dated receipt. For sinks purchased prior to March 1st 2001, the applicable warranty at that time will be in effect. Our warranty does not cover product failure or damage caused by the use of optional Elkay accessories, abusive treatment, misuse, environmental factors, normal wear including dents and scratches, improper care and cleaning, use of aggressive and abrasive cleansers, damage due to handling or failure to follow the recommended procedures for installation, care and maintenance as detailed in the installation care guide provided with every sink. This warranty is extended only to the original consumer purchaser of the product. This warranty does not cover shipping costs, or any other charges for such items as installation or replacement of the sink, diagnosis or replacement of any faucet or component part, or any other expense or loss.

**All incidental or consequential damages are specifically excluded. No additional warranties, express or implied are given, including but not limited to, any implied warranty of merchantability or fitness for a particular purpose.**

Some states do not allow the exclusion or limitation of incidental or consequential damages or limitations on how long an implied warranty lasts, so the above limitations or exclusions may not apply to you.

This warranty gives you specific legal rights, and you may also have other rights which vary from state to state.

### TO OBTAIN SERVICE UNDER WARRANTY

1. Write to: Elkay Manufacturing Company  
Attention: Consumer Services  
2222 Camben Court  
Oak Brook, IL 60523
2. Include a letter containing the following information:
  - a. Date of purchase and installation
  - b. Proof of Purchase (copy of original dated voice)
  - c. Description of nature of defect
  - d. Model number or description of model and/or component part if possible.