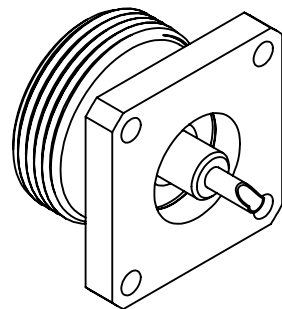


This document, including the design, configuration and mechanical features revealed herein are the sole, confidential and proprietary property of TRU Corporation. Reproduction or use thereof, in whole or part, is prohibited without the prior written consent of TRU Corporation.

REV.	DESCRIPTION	DATE	APPROVED
-	ORIGINAL ISSUE	09/01/11	AM



**ENGINEERING DATA:**

**ELECTRICAL**

IMPEDANCE: 50 OHMS  
 FREQUENCY RANGE: DC to 7.5 GHz  
 VOLTAGE RATING: 2,700 VOLTS RMS  
 PIM: < -155 dBc

**MECHANICAL**

INTERFACE: PER IEC 169-4, DIN 47223

**MATERIAL**

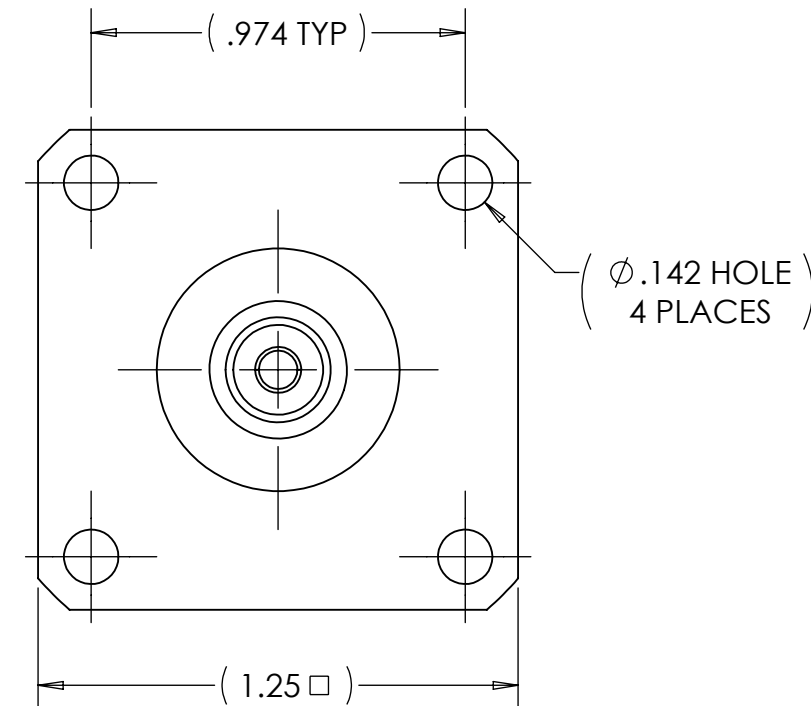
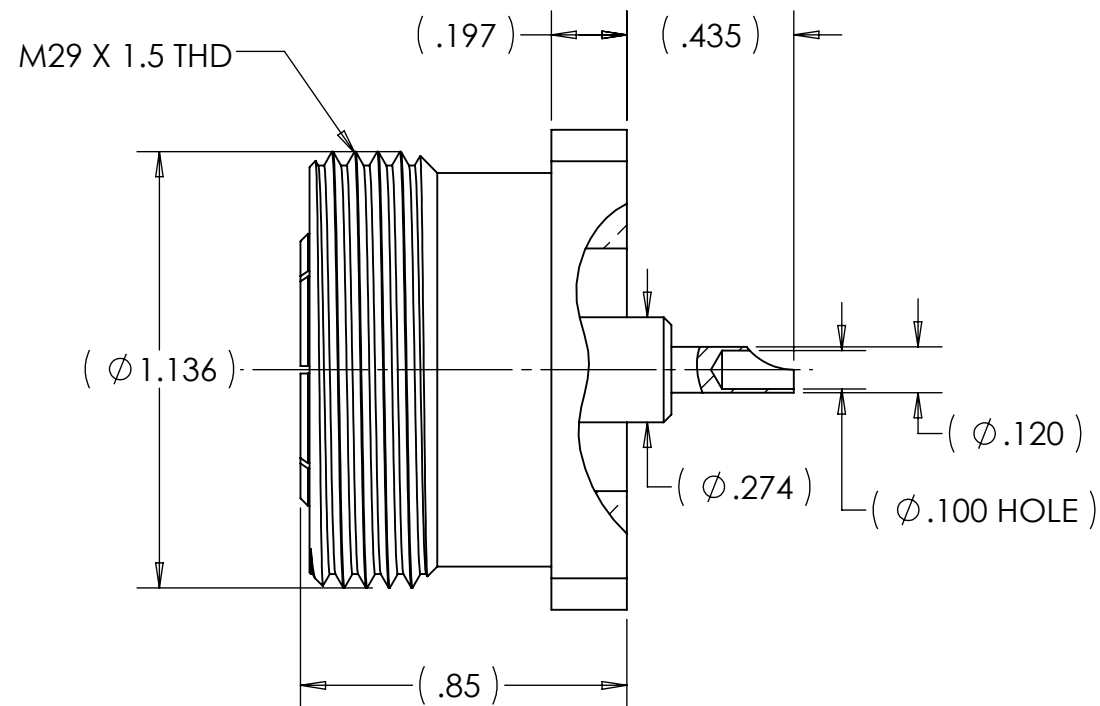
INSULATOR: TEFLON  
 FEMALE CONTACT: BERYLLIUM COPPER  
 OUTER CONTACT: PHOSPHOR BRONZE  
 OTHER METAL PARTS: BRASS


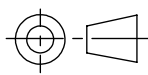
**FINISH**

CENTER CONTACT: SILVER PLATED  
 OTHER METAL PARTS: TruLustre

**NOTES:**

- UNLESS OTHERWISE SPECIFIED; ALL DIMENSIONS ARE REFERENCE ONLY.



MATERIAL	DO NOT SCALE DRAWING	DRAWN MVC	DATE 08/08/11	 <b>TRU CORPORATION</b> 245 LYNNFIELD STREET, PEABODY, MA 01960 The Custom Interconnect Leader™
	UNLESS OTHERWISE SPECIFIED: DIMENSIONS ARE IN INCHES	ENG APPR. AM	DATE 08/18/11	
COMMENTS:	TOLERANCES: FRACTIONS: ±1/64 .XX : ±.01 .XXX: ±.005 ANGLES: ±1/2° MACHINED SURFACES: 63/√	MFG APPR.	DATE	TITLE: <b>7-16(f) RECEPTACLE, PANEL,                  FRONT MOUNTING</b>
		OTHER APPR.	DATE	
surface area: sq inch	weight: lbs	THIRD ANGLE PROJECTION		SIZE <b>B</b>
				DWG. NO. TRU-7002-0001-04
				REV -
				CAGE CODE: 92180
				SCALE: 2:1
				SHEET 1 OF 1