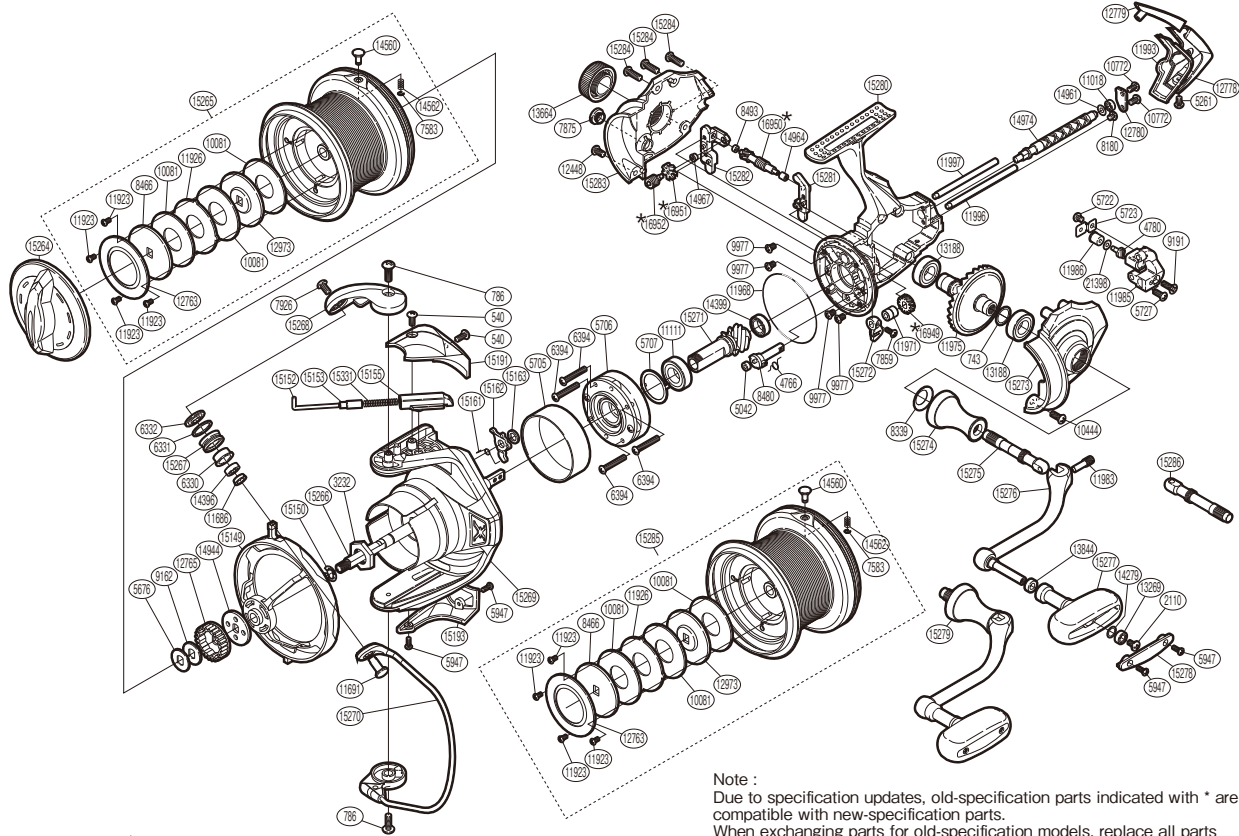


SHIMANO

AERO TECHNIUM

AR TECH-10000XSC



(51SH019001G)

Note :
Due to specification updates, old-specification parts indicated with * are not compatible with new-specification parts.
When exchanging parts for old-specification models, replace all parts indicated with * as a complete set.

| # | Part No. | Description | # | Part No. | Description | # | Part No. | Description |
|-------|----------|-------------------------|-------|----------|-----------------------------|--------|----------|----------------------------------|
| 540 | 103GS | Screw | 11686 | 10GAD | Bearing Spacer | 15155 | 107A8 | Bail Spring Guide B |
| 743 | 10HHL | Washer | 11691 | 10L1C | Line Roller Support | 15161 | 106PM | Lever Spring |
| 786 | 103J1 | Screw | 11923 | 10MT1 | Screw | 15162 | 106KD | Bail Trip Lever |
| 2110 | 103E9 | Screw | 11926 | 102XF | Eared Washer | 15163 | 10764 | Washer |
| 3232 | 107VW | Rotor Nut | 11968 | 10MLS | O Ring | 15191 | 1087Q | Bail Spring Cover |
| 4766 | 10570 | Anti-Reverse Cam Spring | 11971 | 106GV | Worm Bushing (Front) | 15193 | 10MK3 | Bail Hold Support Guard |
| 4780 | 106QY | Oscillating Pawl | 11975 | 1097Y | Drive Gear | 15264 | 1094G | Drag Knob |
| 5042 | 106F8 | Anti-Reverse Cam Ring | 11983 | 10PV1 | Handle Shaft Screw | 15265 | 10HPB | Spool Assembly |
| 5261 | 103GX | Screw | 11985 | 10HCH | Oscillating Slider | 15266 | 103V0 | Main Shaft |
| 5676 | 106VN | Spool Washer | 11986 | 10JVA | Oscillating Slider Bushing | 15267 | 10KUC | Line Roller |
| 5705 | 106HS | Roller Clutch Ring | 11993 | 107CJ | Rear Shield | 15268 | 107Y8 | Bail Arm |
| 5706 | 10QL4 | Roller Clutch Assembly | 11996 | 10318 | Oscillating Guide A | 15269 | 10PM3 | Rotor |
| 5707 | 106MU | Bearing Washer | 11997 | 104M2 | Oscillating Guide B | 15270 | 106YR | Bail Assembly |
| 5722 | 10LYX | Screw | 12448 | 10M6K | Screw | 15271 | 10BVE | Pinion Gear |
| 5723 | 10H7L | Oscillating Pawl Cover | 12763 | 10LQ7 | Seal Plate | 15272 | 10G2R | Anti-Reverse Lever |
| 5727 | 103GQ | Screw | 12765 | 103P7 | Spool Support A | 15273 | 10JPT | Side Cover A |
| 5947 | 103NH | Screw | 12778 | 10GQA | Rear Protector A | 15274 | 10BYE | Handle Shaft Cover |
| 6330 | 107RE | Line Roller Bushing | 12779 | 10CT8 | Rear Protector B | 15275 | 10F8B | Handle Shaft (Left) |
| 6331 | 105PZ | Line Roller Spacer | 12780 | 10BF3 | Worm Shaft Retainer | 15276 | 106S5 | Handle Shank Assembly |
| 6332 | 107WW | Line Roller Washer | 12973 | 10QBR | Key Washer | 15277 | 1042C | Handle Knob |
| 6394 | 103M4 | Screw | 13188 | 10BGD | Ball Bearing | 15278 | 108X0 | Handle Knob I.D. Plate |
| 7583 | 105NC | E Lock | 13269 | 104VX | Ball Bearing | 15279 | 10HJD | Handle Assembly |
| 7859 | 10MPU | Screw | 13664 | 10P4T | Handle Screw Cap | 15280 | 102ME | Body |
| 7875 | 109LW | Oil Cap | 13844 | 10PXY | Handle Knob Bushing | 15281 | 10CHJ | Drive Gear Side Guide |
| 7926 | 103HN | Screw | 14279 | 10G8G | Washer | 15282 | 10MD5 | Worm Gear Side Guide |
| 8180 | 103C9 | Screw | 14396 | 104VQ | Ball Bearing | 15283 | 10BH9 | Side Cover B |
| 8339 | 10PV5 | Handle Shaft Seal | 14399 | 105BK | Ball Bearing | 15284 | 10M70 | Screw |
| 8466 | 10BB5 | Key Washer | 14560 | 10QS6 | Line Clip | 15331 | 105LH | Bail Spring |
| 8480 | 104YQ | Anti-Reverse Cam | 14562 | 10LQ3 | Line Clip Spring | *16949 | 10HBJ | Idle Gear |
| 8493 | 10M81 | Worm Bushing | 14944 | 10J01 | Spool Support B | *16950 | 10CHL | Idle Worm Gear |
| 9162 | 106VP | Spool Washer | 14961 | 10J1F | Washer | *16951 | 10CNG | Idle Gear |
| 9191 | 10ML9 | Screw | 14964 | 10M83 | Worm Bushing | *16952 | 10M80 | Pinion Worm Gear |
| 9977 | 103LH | Screw | 14967 | 10M82 | Worm Bushing | 21398 | 10RKQ | Washer |
| 10081 | 1031E | Drag Washer | 14974 | 1081Q | Worm Shaft | | | |
| 10444 | 10M6V | Screw | 15149 | 1041J | Line Safety Guard | 15285 | 10HPC | Spare Spool Assembly |
| 10772 | 103ED | Screw | 15150 | 105RZ | E Lock | | | |
| 11018 | 10PDA | Ball Bearing | 15152 | 105YW | Bail Spring Guide A | 15286 | 10FHT | Handle Shaft (Right) (accessory) |
| 11111 | 104PV | Ball Bearing | 15153 | 10HDL | Bail Spring Guide A Support | | | |

Please note that the number of adjusting washers may not be the same as shown in the exploded views.
(Adjustment will vary with each individual product.)