

**AXOR Montreux**  
**Shower Basket 160/101**  
Finishes : **brushed nickel**

Part no. : **42065820**



## Description

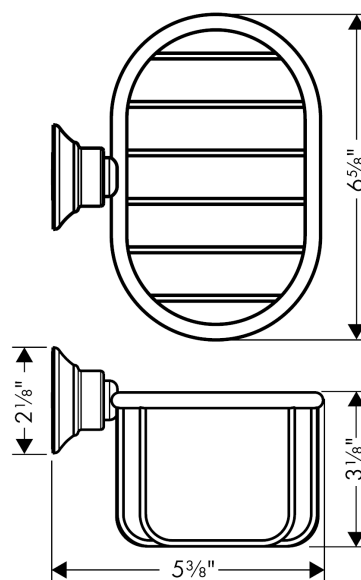
### Features

- Metal
- Wall-mounted

## Product image



## Scale drawing



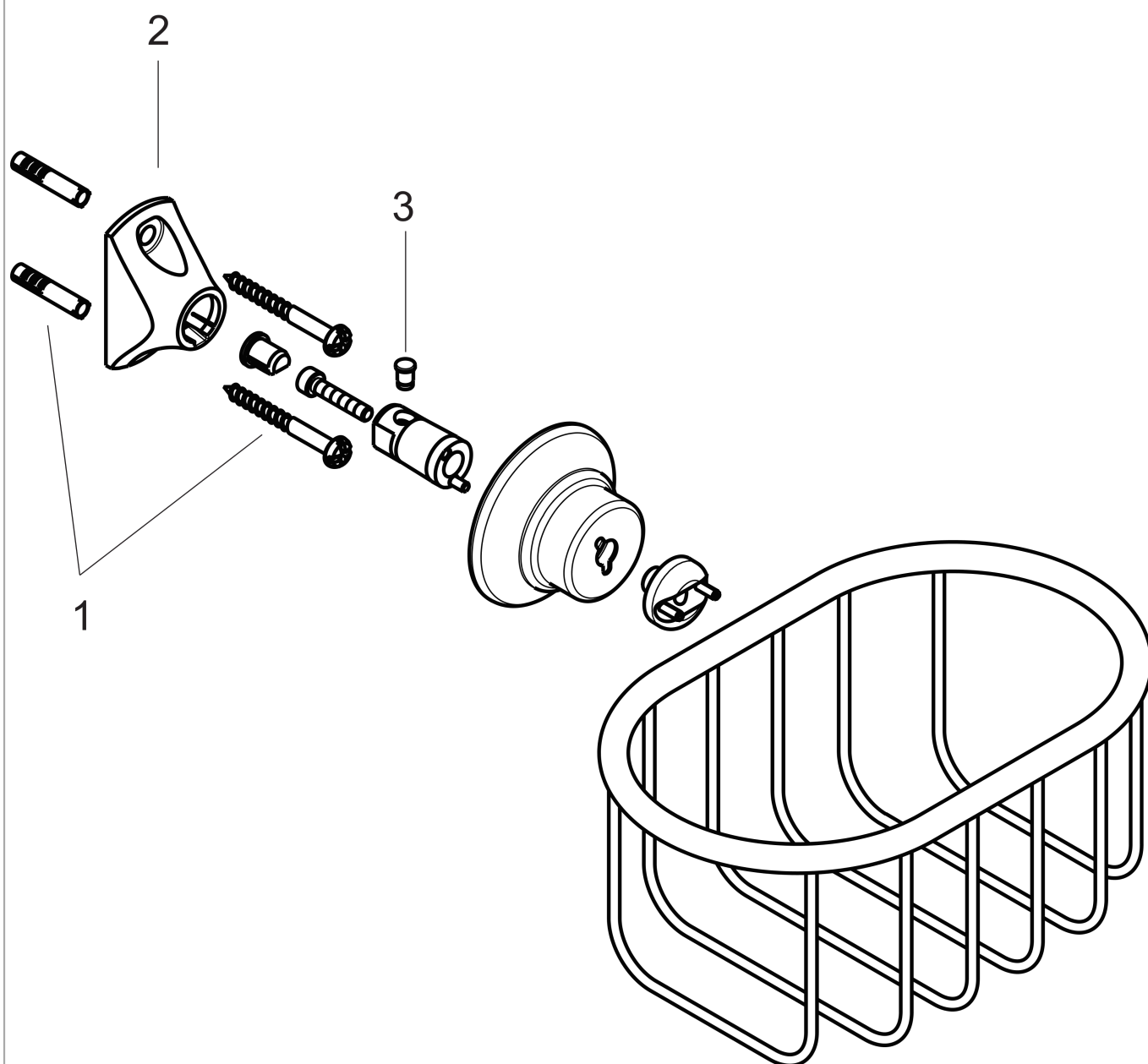
**AXOR Montreux**  
**Shower Basket 160/101**  
Finishes : **brushed nickel**

Part no. : **42065820**



## Exploded drawing

Year of production: >05/06



**AXOR Montreux**  
**Shower Basket 160/101**  
 Finishes : **brushed nickel**

Part no. : **42065820**



## Spare parts list

Year of production: >**05/06**

Pos.	Description	Part no.	PC	PU
1	mounting set	40915000	0	1
2	support element	96341000	0	1
3	pin	97546000	0	1