



## 2-1/2" SMARTLB™ CONDUIT BODY PVC

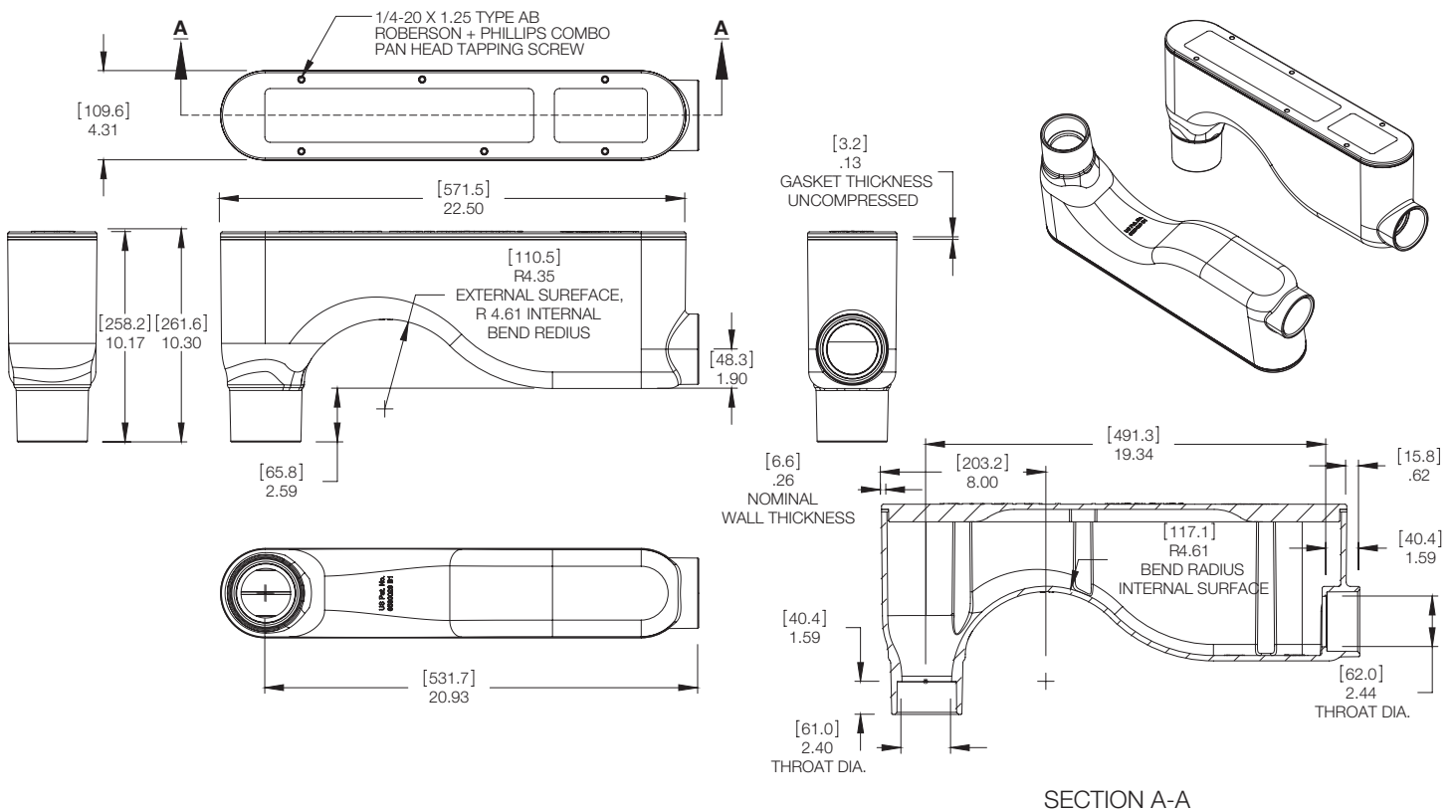


### FEATURES:

- For use with schedule 40 PVC & schedule 80 PVC conduit & fittings.
- Suitable for indoor/outdoor (OSP) use.
- Built-in radius helps prevent cables from getting damaged.
- Includes gasketed cover for wet locations.
- Meets minimum bend radius of ANSI/TIA/EIA 568 & NECA/FOA.
- Recommended by BICSI TDMM 13th for communication cable.

**TYPE OF INSTALLATION:** New Work & Old Work

**CERTIFICATIONS:** CSA US Listed



MODEL#	MATERIAL	UPC	I20F5	MASTER QTY	TRADE SIZE		
KBLB251	PVC, foam gaskets	784297021992	50784297021997	4	2-1/2 in.		
ITEM HEIGHT	ITEM WIDTH	ITEM DEPTH	ITEM WEIGHT	MASTER HEIGHT	MASTER WIDTH	MASTER DEPTH	MASTER WEIGHT
7.58 in.	23.12 in.	4.31 in.	7.48 lbs.	29.92 in.	31.00 in.	28.63 in.	25.40 lbs.

