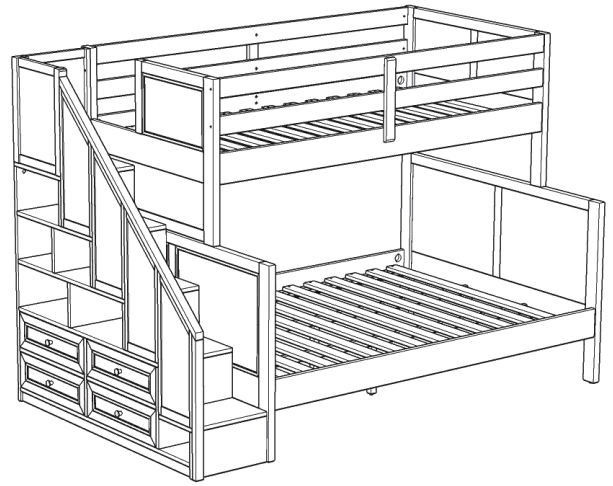


Bunk Bed



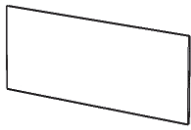
IMPORTANT

Carefully remove all the parts from the carton and place them individually on a soft cloth to prevent scratches or other damage.

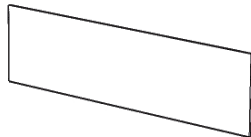
Carefully and strictly follow these assembly instructions to ensure a completed product as designed.

Do not use power tools above 8 volts to assemble.

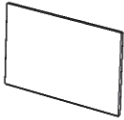
Part List



S2. Back Panel
1 pc.



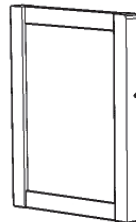
S3. Back Panel
1 pc.



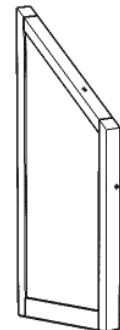
S5. Back Panel
1 pc.



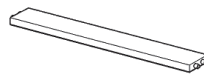
T1. Stair Panel
1 pc.



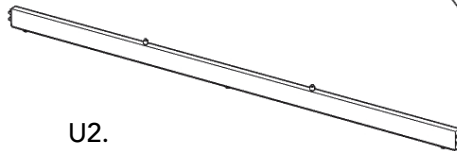
T2. Stair Panel
1 pc.



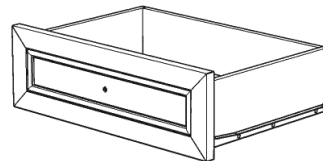
T3. Stair Panel
4 pcs.



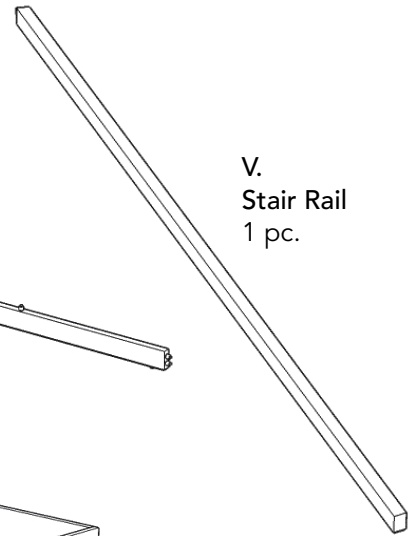
U1. Rail
2 pcs.



U2. Rail
2 pcs.



X. Drawer
4 pcs.



V. Stair Rail
1 pc.

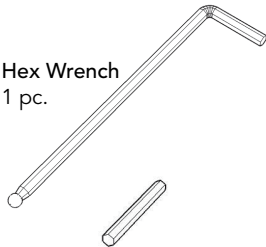


W. Upright
1 pc.

Refer to later page(s) of these instructions for drawer assembly.

Hardware List

Hex Wrench
1 pc.



Small Hex Wrench
1 pc.

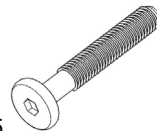
Cam Lock Screw
32 pcs. (+1 extra)



Cam Lock
32 pcs. (+4 extra)



M6x45 Head Cap Bolt for Bed
3 pcs. (+1 extra)



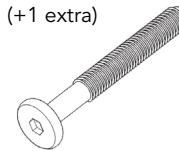
M6x30 Head Cap Bolt (short)
21 pcs. (+1 extra)



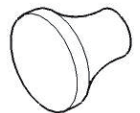
M6x25 Wood Screw for Drawer
32 pcs. (+1 extra)



M6x55 Head Cap Bolt (medium)
1 pcs. (+1 extra)



Knob (22mm)
4 pcs.



M4x1" Machine Screw
4 pcs.



Carton 20 05530 0564 is also needed for assembly.

Tool(s) required for assembly: Phillips screwdriver

Home Styles Customer Service: www.homestyles-furniture.com,
 servicedesk@homestyles-furniture.com, 888-680-7460, 877-831-0319

Assembly Instructions 2/10

IMPORTANT

- Use a soft cloth between these parts and the floor.
- Do not use power tools above 8 volts to assemble.
- Do not tighten all the bolts until each part is properly assembled.
- The unit must be level to work properly. Use the included adjustable levelers to level.
- Keep Hex Wrench as the bolts may need to be tightened in the future.

Follow instructions in carton 20 05530 0563 first, then proceed with Step 11.

STEP 11

Insert Cam Lock Screws into pre-drilled holes in Stairs (M1), (M2), (M3), (M4), (M5), Base (N), Side Panel (O) and Risers (P2), (P3), then tighten. (See Figure 6)

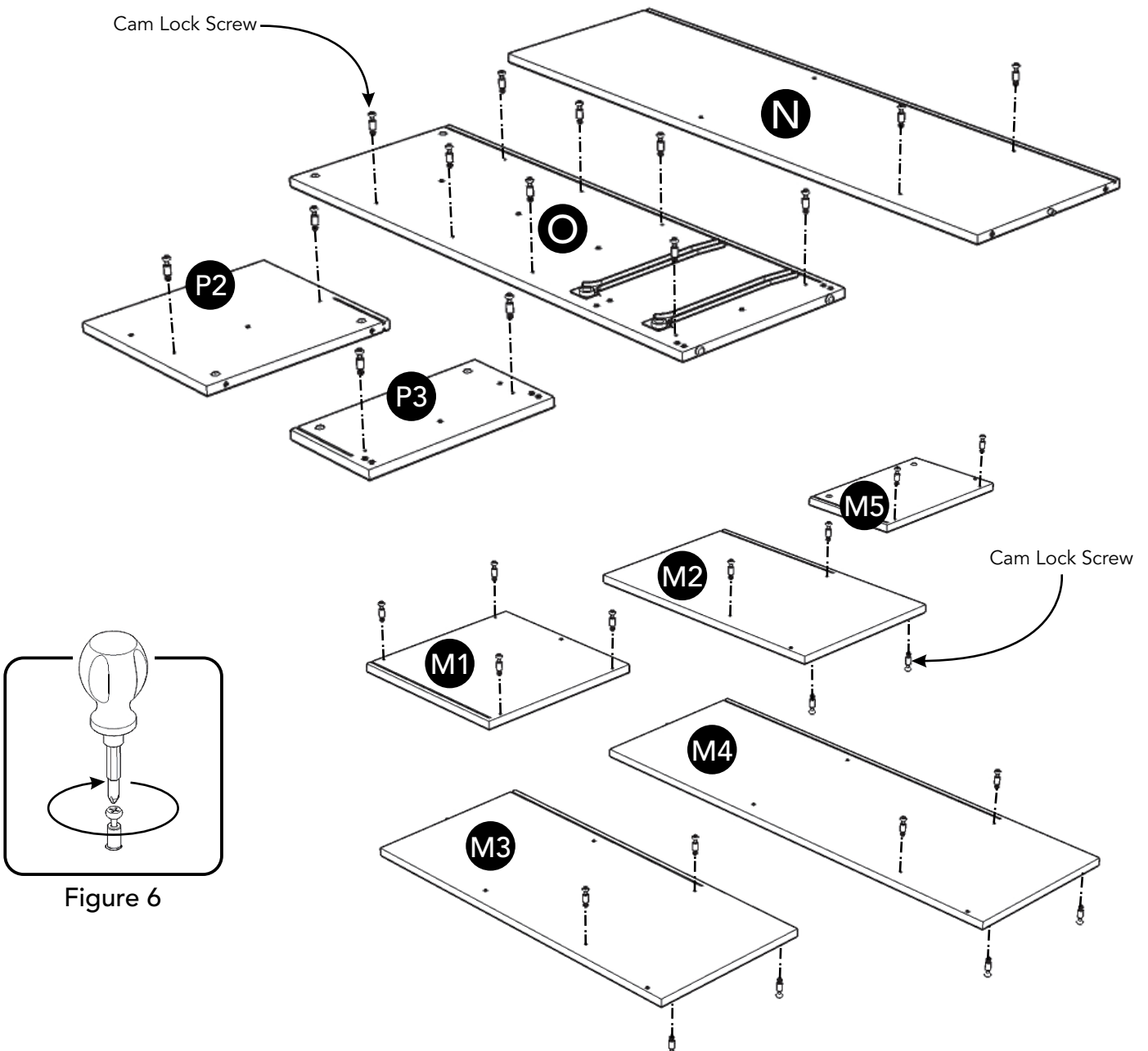


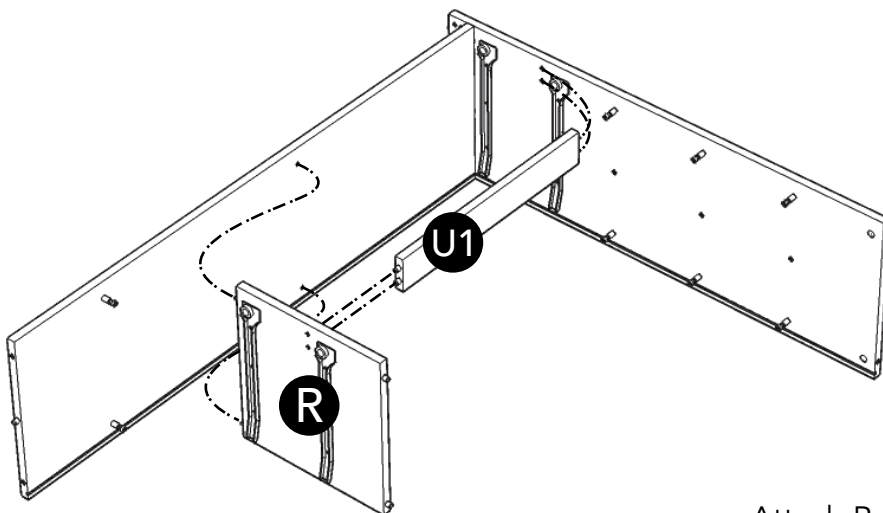
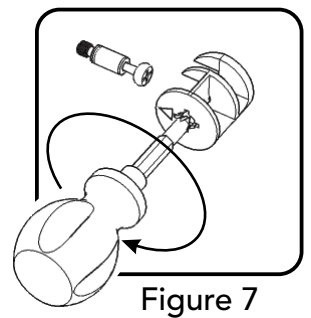
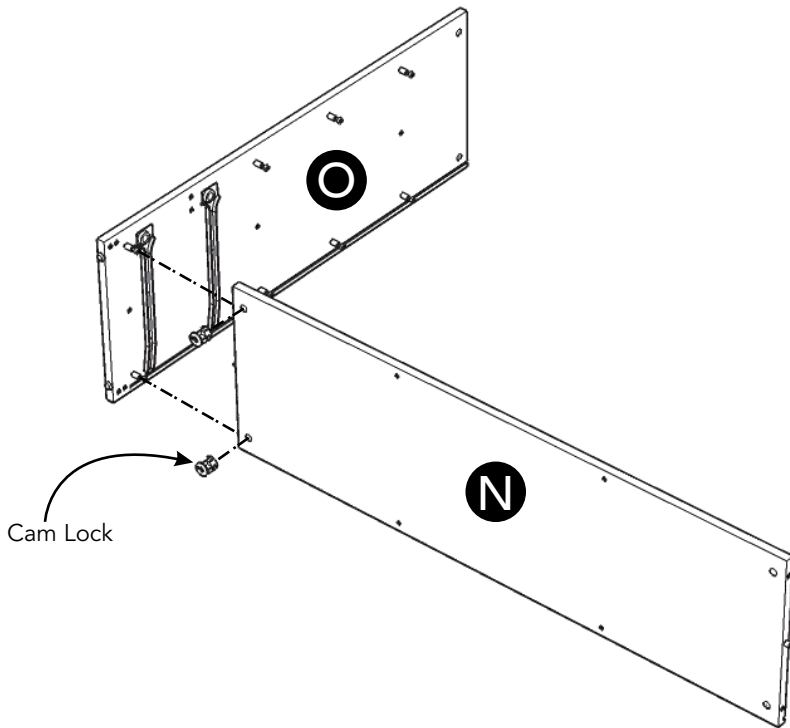
Figure 6

Assembly Instructions 3/10

STEP 12

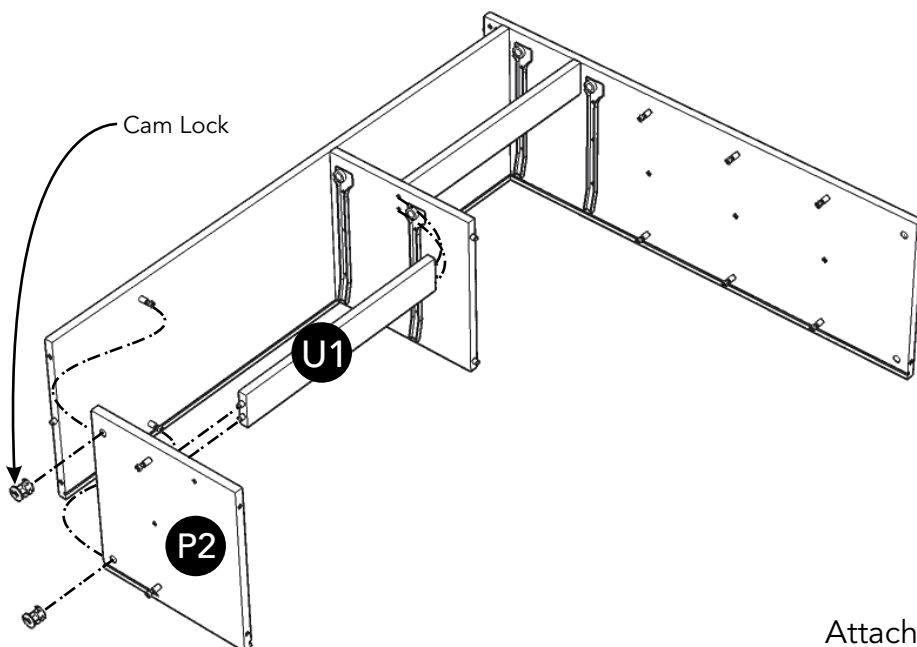
Attach Base (N) to Side Panel (O) with Cam Locks. (See Figure 7)

Note: A Philips screwdriver 5" or less in length is recommended.



STEP 13

Attach Rail (U1) and Middle Panel (R) to unit.



STEP 14

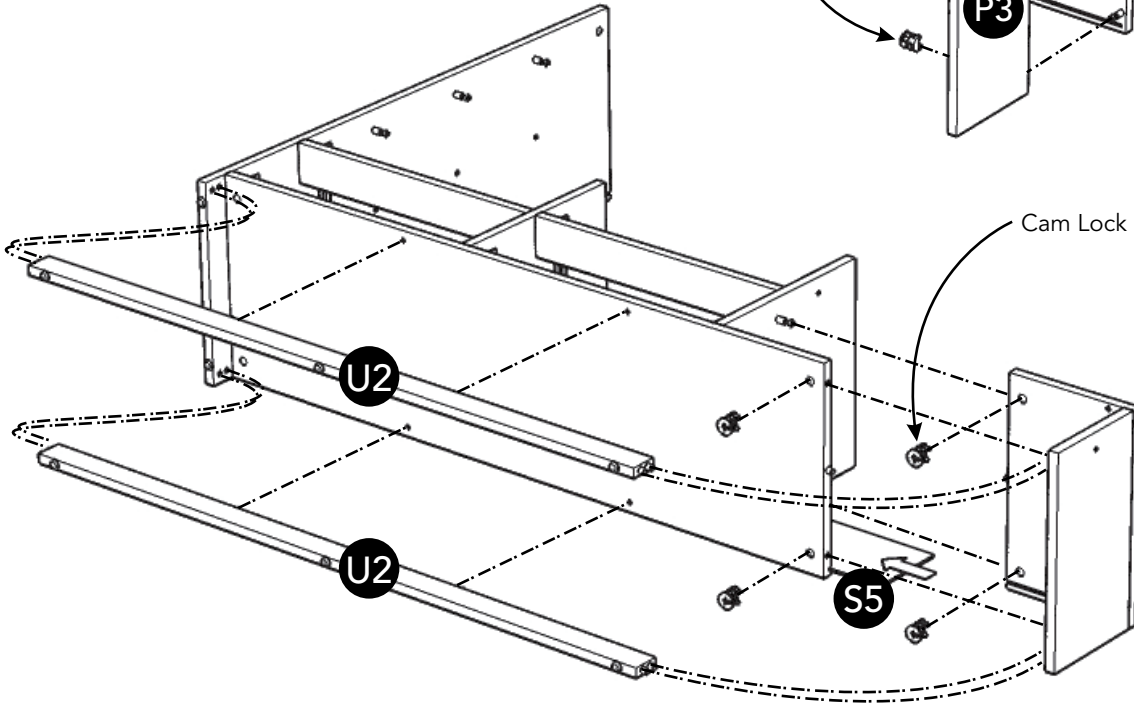
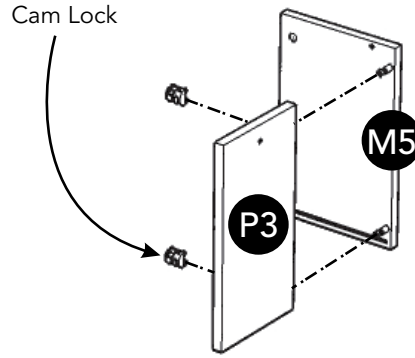
Attach Rail (U1) to unit.

Attach Riser (P2) to unit with Cam Locks.

Assembly Instructions 4/10

STEP 15

Attach Stair (M5) to Riser (P3) with Cam Locks.

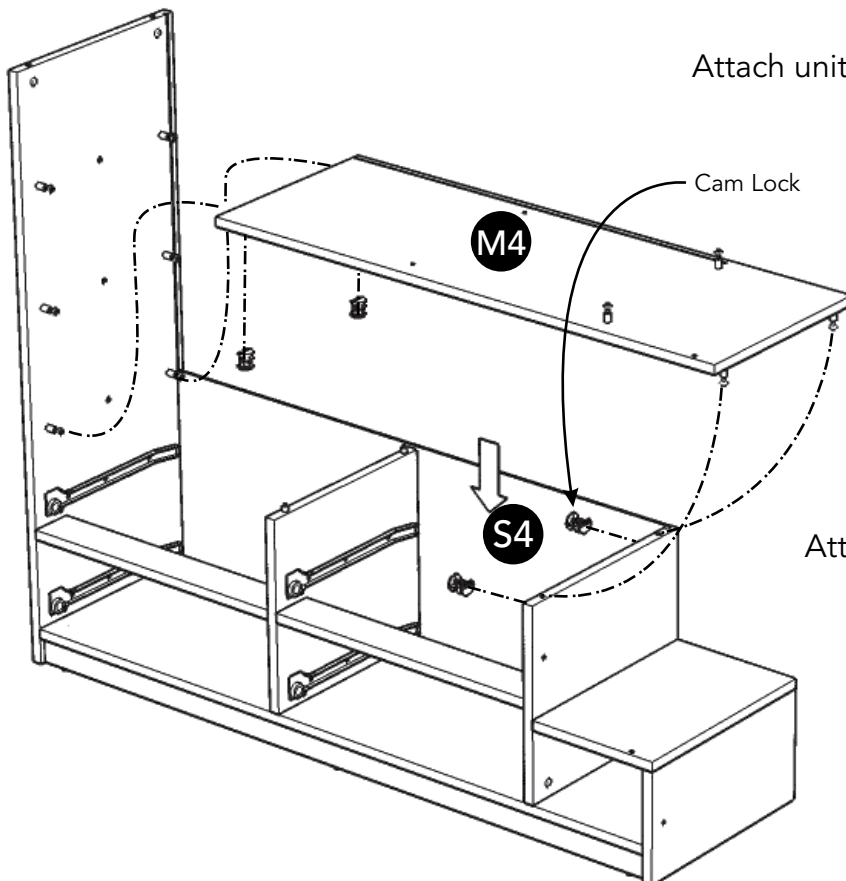


STEP 16

Attach Rails (U2) to unit from Step 14.

Slide Back Panel (S5) into position.

Attach unit from Step 15 to unit with Cam Locks.



STEP 17

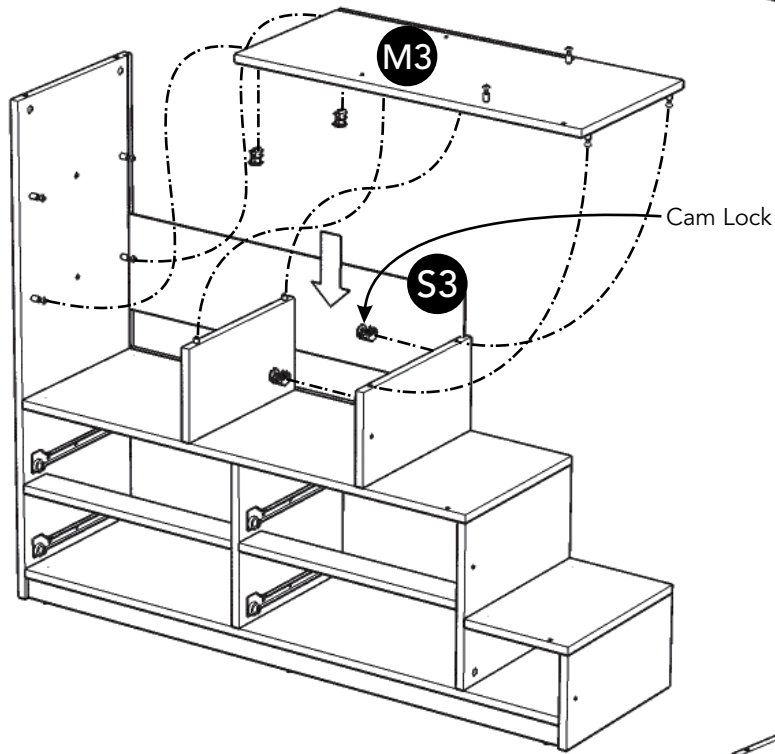
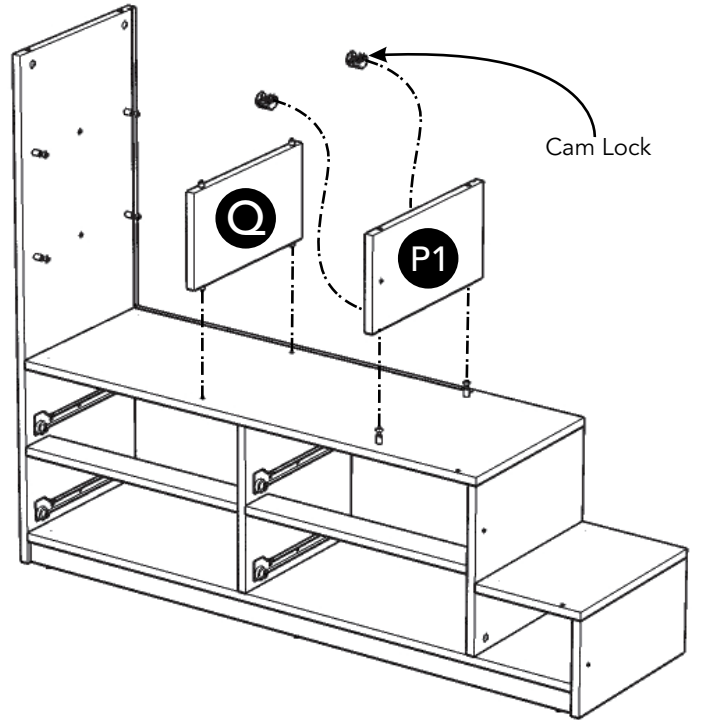
Turn unit to its' upright position.

Slide Back Panel (S4) into position.

Attach Stair (M4) to unit with Cam Locks.

STEP 18

Attach Riser (P1) and Divider (Q) to unit with Cam Locks.

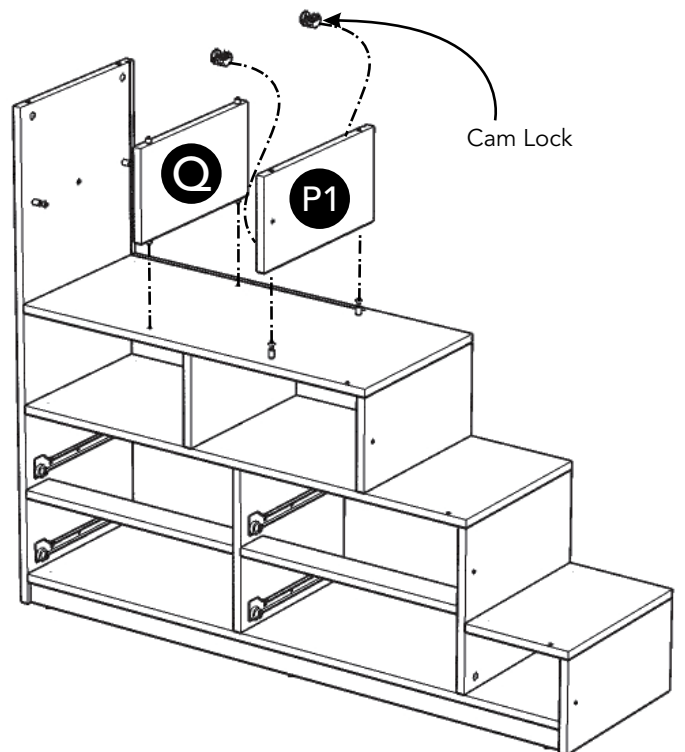


STEP 19

Slide Back Panel (S3) into position.
Attach Stair (M3) to unit with Cam Locks.

STEP 20

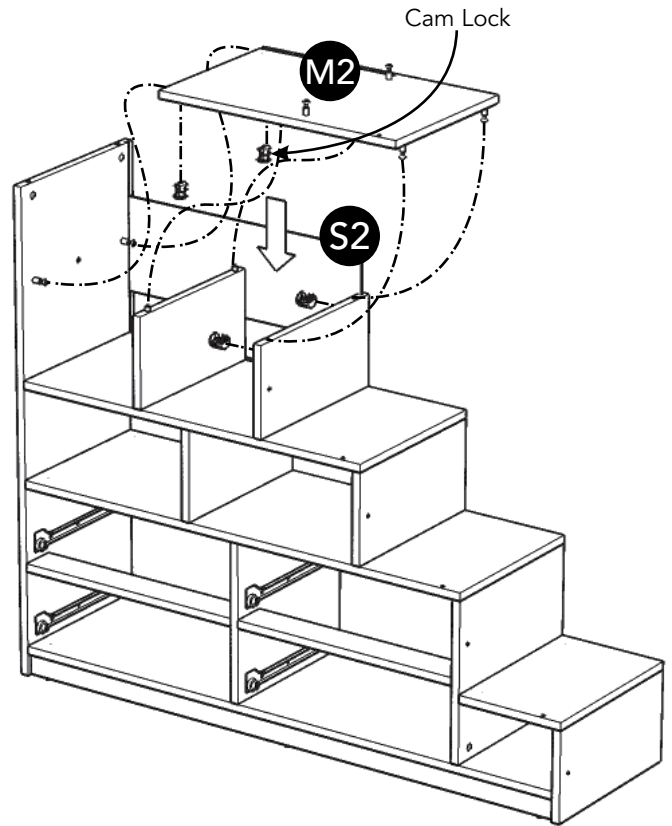
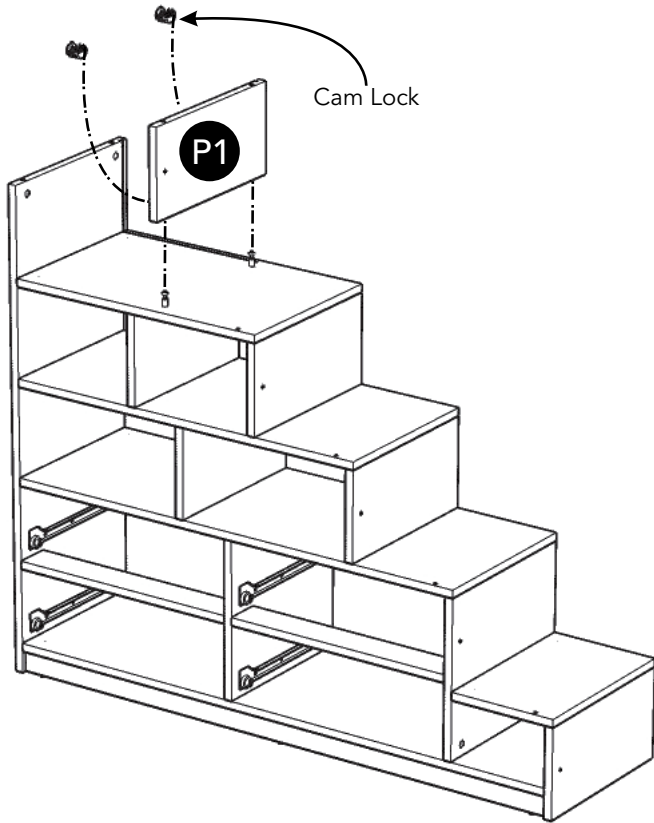
Attach Riser (P1) and Divider (Q) to unit with Cam Locks.



STEP 21

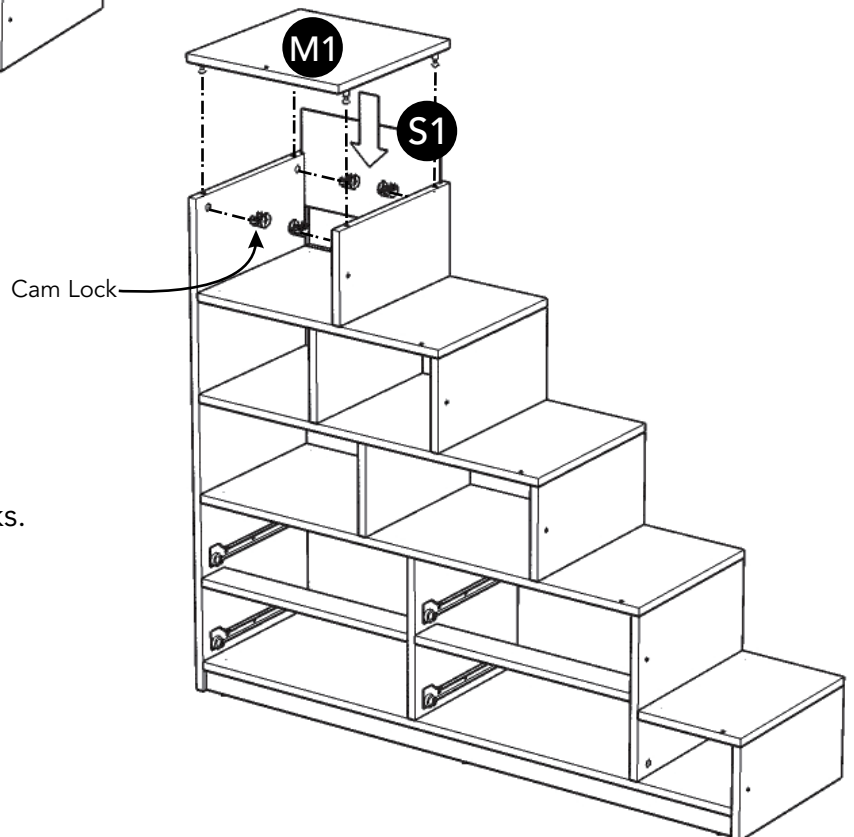
Slide Back Panel (S2) into position.

Attach Stair (M2) to unit with Cam Locks.



STEP 22

Attach Riser (P1) to unit with Cam Locks.



STEP 23

Slide Back Panel (S1) into position.

Attach Stair (M1) to unit with Cam Locks.

Assembly Instructions 7/10

STEP 24

Assemble Stair Panels (T3), Stair Rail (V) and Upright (W) with Head Cap Bolts (short), tightening bolts only halfway.

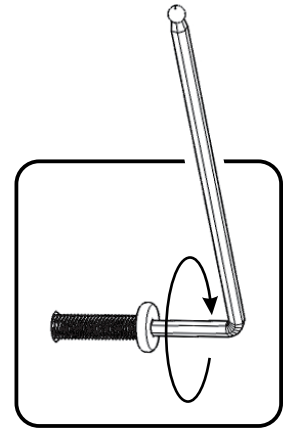
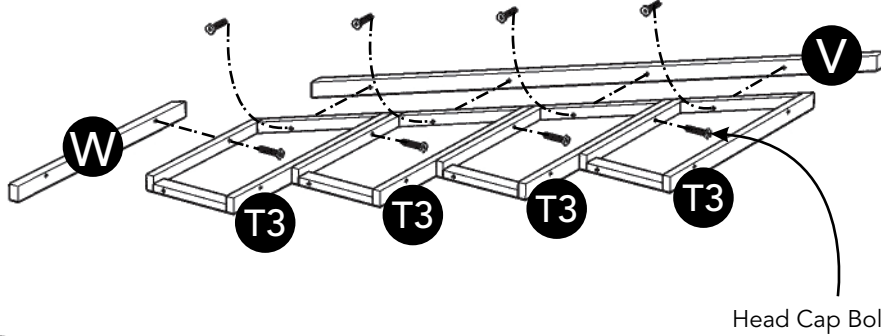
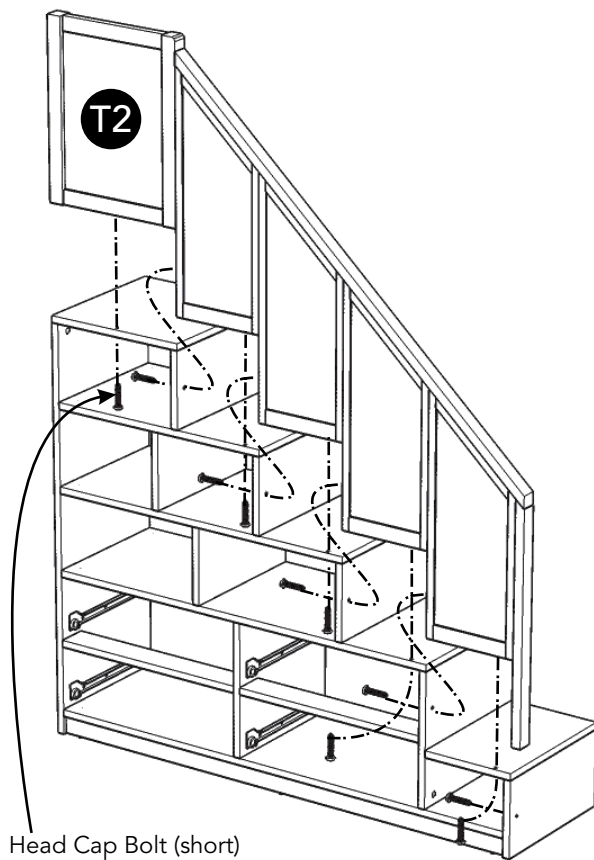


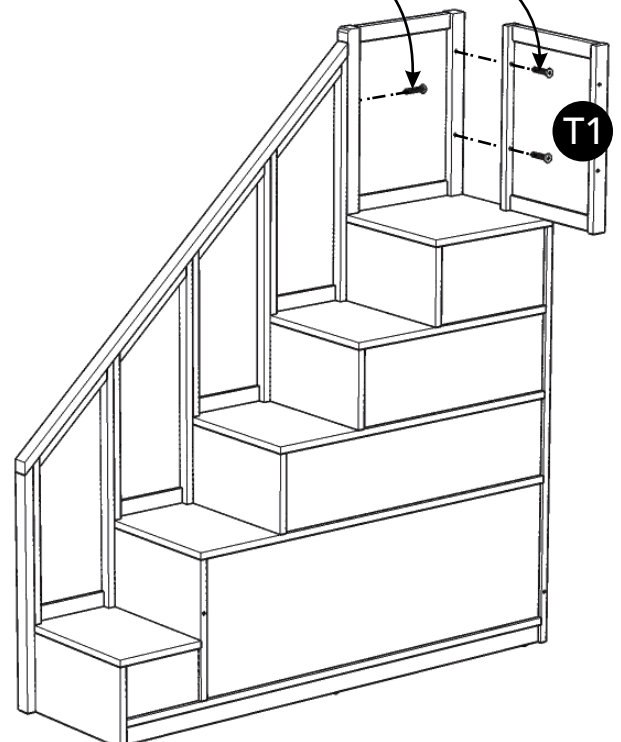
Figure 8



STEP 25

Attach unit from Step 24 and Stair Panel (T2) to unit from Step 23 with Head Cap Bolts (short), tightening bolts only halfway.

Head Cap Bolt (short)
Head Cap Bolt (medium)



STEP 26

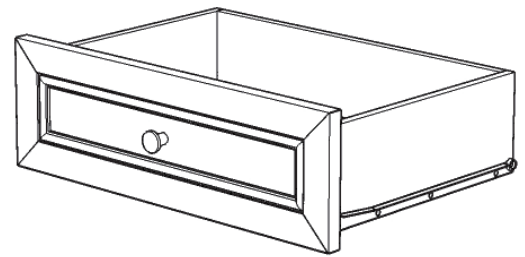
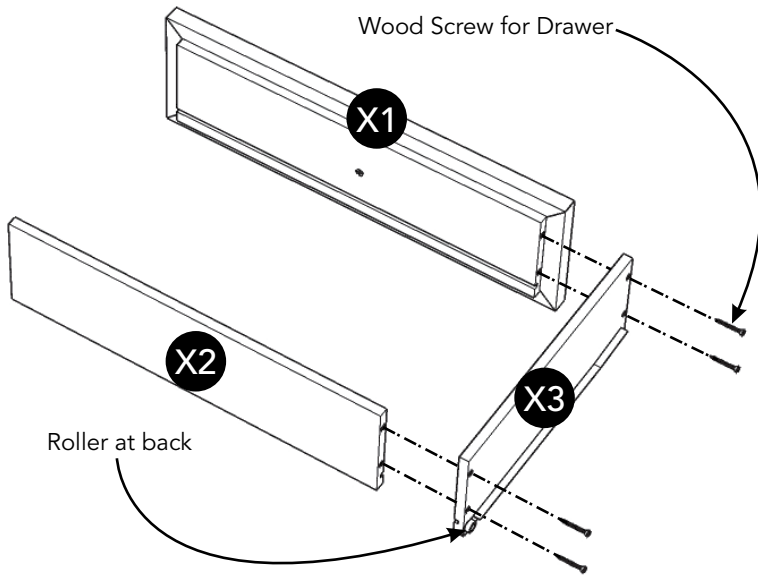
Attach Head Cap Bolt (medium) to unit, tightening bolt only halfway.

Attach Stair Panel (T1) to unit with Head Cap Bolts (short), tightening bolts only halfway.

Tighten all bolts used in Steps 24, 25 and 26.

Assembly Instructions 8/10

Drawer (X)



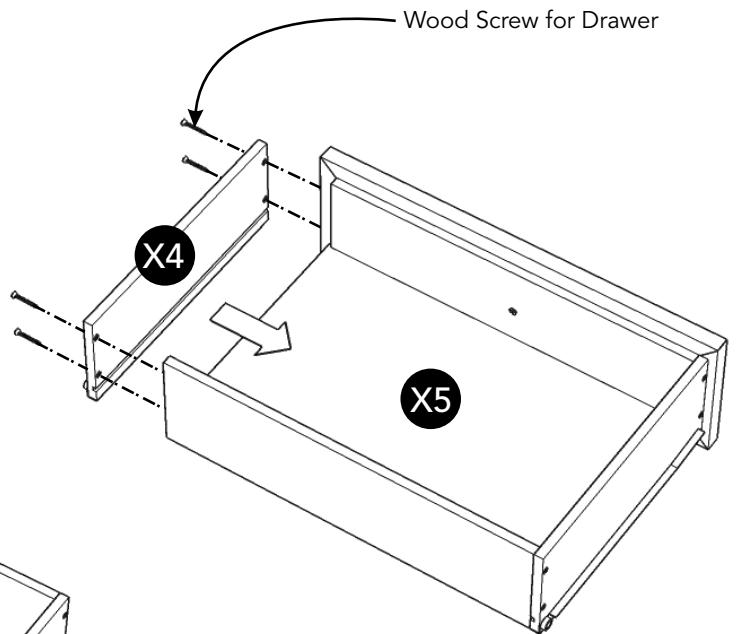
STEP 27

Attach Drawer Front (X1) and Drawer Back (X2) to Drawer Side (X3) with Wood Screws for Drawer.

STEP 28

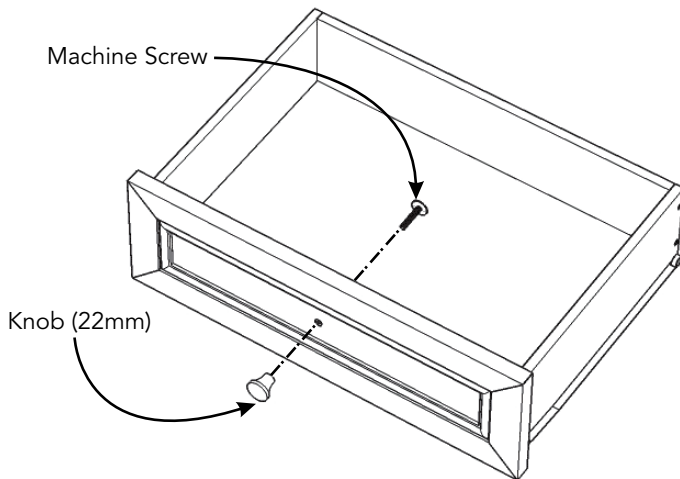
Slide Drawer Bottom (X5) into grooves in unit.

Attach Drawer Side (X4) to unit with Wood Screws for Drawer.

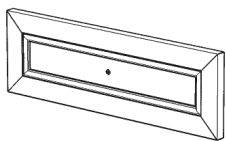


STEP 29

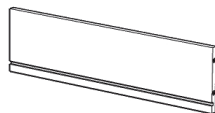
Attach Knob (22mm) with Machine Screw.



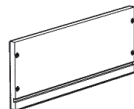
Part List



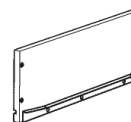
X1.
Drawer Front
4 pcs.



X2.
Drawer Back
4 pcs.



X3.
Drawer Side
4 pcs.

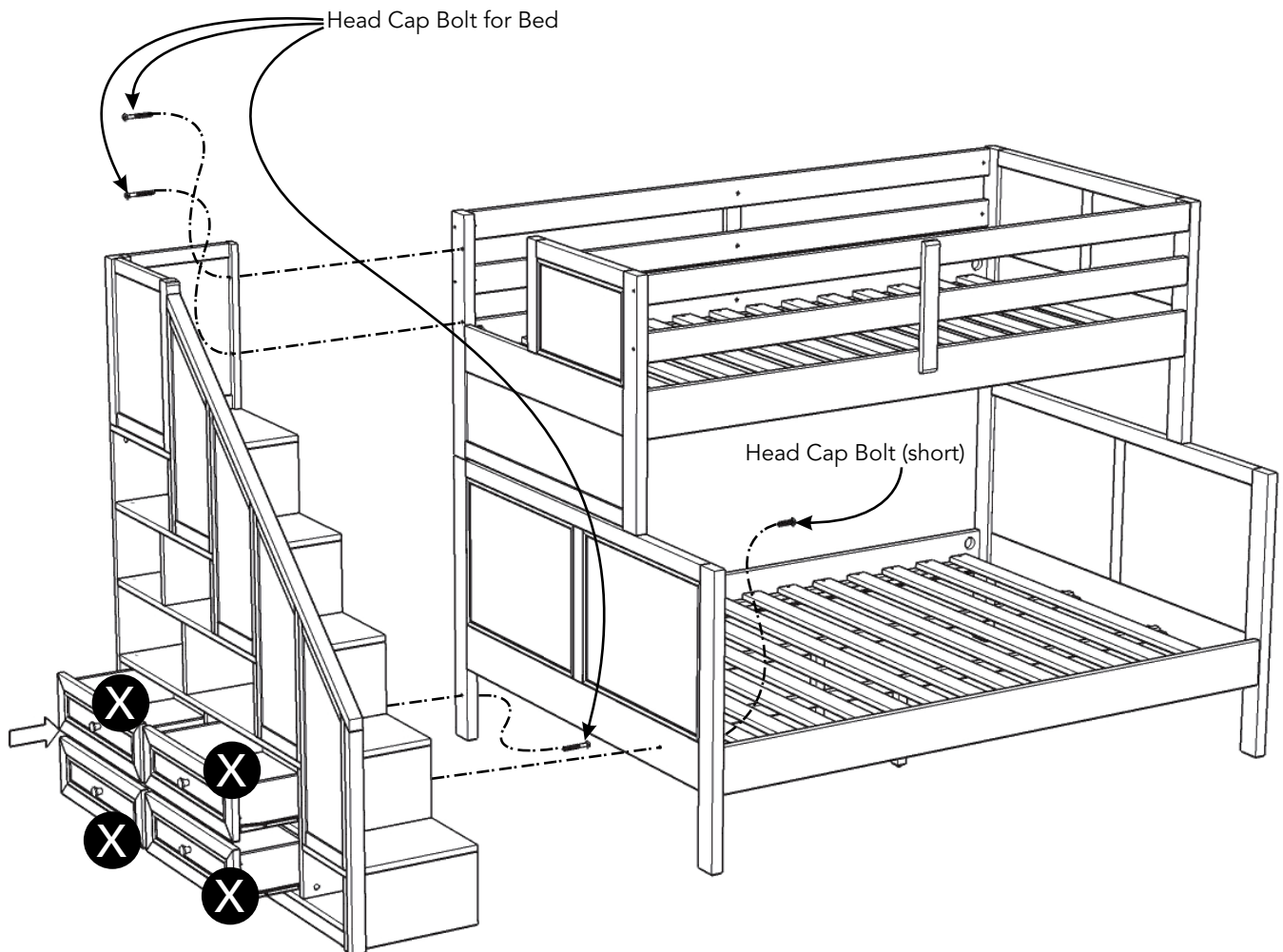


X4.
Drawer Side
4 pcs.



X5.
Drawer Bottom
4 pcs.

Assembly Instructions 9/10



STEP 30

Attach unit from Step 24 to bunk bed unit with Head Cap Bolts for Bed and Head Cap Bolt (short), tightening bolts only halfway.

Tighten all bolts.

Slide Drawers (X) into position.

Assembly Instructions 10/10

IMPORTANT

- To help reduce the risk of the unit tipping over, the Tip-over Restraint must be installed following these instructions exactly.

STEP 31

Place unit at desired location.

Drill a 3/8" hole in wall in-line with pre-drilled hole on back of Stair Panel (T1).

Move unit.

Insert Anchor into the wall hole and attach Bracket with Wall Screw.

Attach Bracket at pre-drilled hole on back of Stair Panel (T1) with Wood Screw.

Move unit back into place.

Slide Tip-over Restraint through Bracket on wall and Bracket on unit. (See Figure 9)

Put tie end of Tip-over Restraint into lock end of Tip-over Restraint and pull until tight.

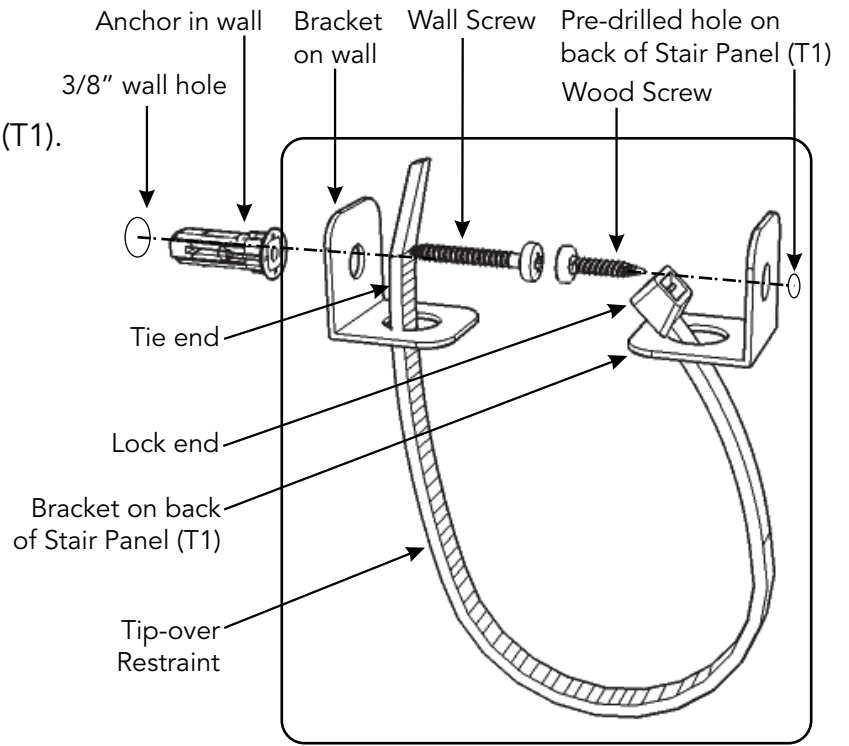
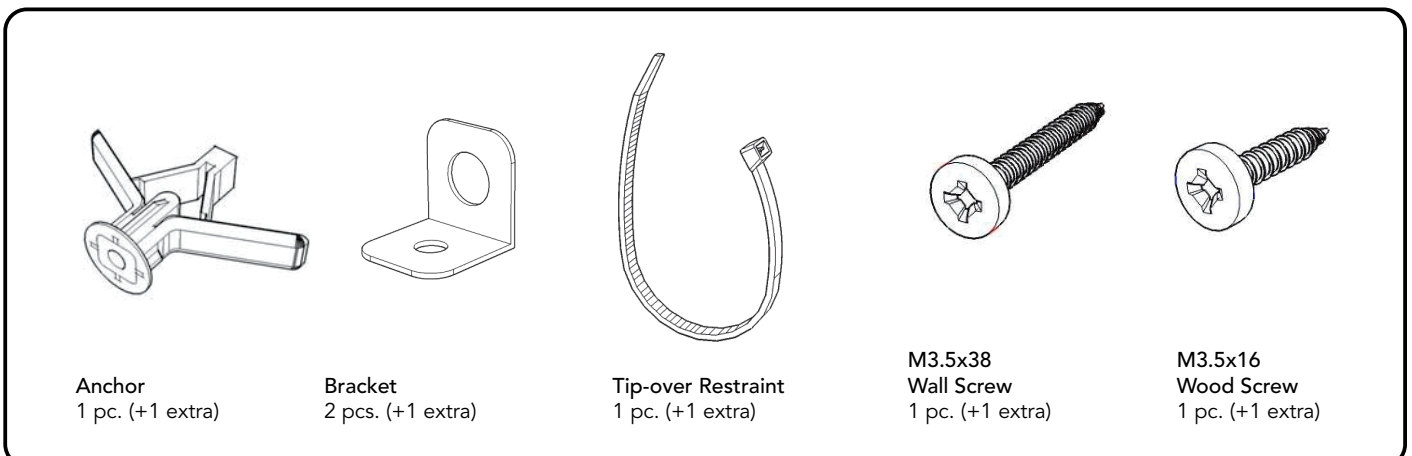
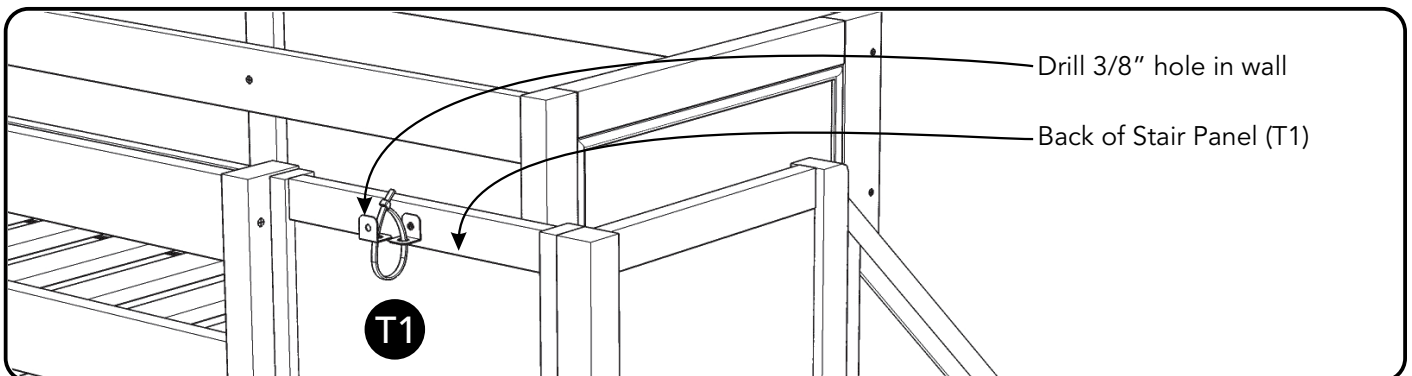


Figure 9



IMPORTANT

Important

Use only mattress which is 74" – 75" long and 37 1/2" – 38 1/2" wide on upper bunk.

Use only mattress which is 74" – 75" long and 52 1/2" – 53 1/2" wide on lower bunk.

Use only mattress which is 10" or less thick on upper bunk.

Replacement parts, including additional guardrails may be obtained from Home Styles Customer Service at www.homestyles-furniture.com.

Safety Warnings

Follow the information on the warnings appearing on the upper bunk end structure and on the carton.

Do not remove warning label from bed.

Always use the recommended size mattresses to help prevent the likelihood of entrapment or falls.

Surface of mattress must be at least 5" (127 mm) below the upper edge of guardrails.

Do not allow children under 6 years of age to use the upper bunk.

Periodically check and ensure that the guardrail, ladder, and other components are in their proper position, free from damage, and that all connectors are tight.

Do not allow horseplay on or under the bed and prohibit jumping on the bed.

Prohibit more than one person on upper bunk.

Always use the ladder for entering and leaving the upper bunk.

Do not use substitute parts. Contact Home Styles Customer Service at www.homestyles-furniture.com for replacement parts.

Use of a night light may provide added safety precaution for a child using the upper bunk.

Always use guardrails on both long sides of the upper bunk. If the bunk bed will be placed next to a wall, the guardrail that runs the full length of the bed should be placed against the wall to prevent entrapment between the bed and wall.

The use of water or sleep flotation mattresses is prohibited.

STRANGULATION HAZARD – Never attach or hang items to any part of the bunk bed that are not designed for use with the bed; for example, but not limited to, hooks, belts, and jump ropes.

Keep these instructions for future reference.

IMPORTANTES

Importantes

Utilisez uniquement des matelas qui est de 74" – 75" de long et 37 1/2" – 38 1/2" de large sur la couchette.

Utilisez uniquement des matelas qui est de 74" – 75" de long et 52 1/2" – 53 1/2" de large sur des lits superposés.

Utilisez uniquement des matelas qui est de 10" ou moins épais sur la couchette.

Pièces de remplacement, y compris garde-corps supplémentaires peuvent être obtenus à partir de Home Styles service à la clientèle au www.homestyles-furniture.com.

Avertissements de Sécurité

Suivez les informations sur les mises en garde figurant sur la partie supérieure de la structure d'extrémité et superposés sur la boîte.

Ne pas retirer l'étiquette d'avertissement du lit.

Utilisez toujours la taille recommandée du matelas pour aider à prévenir le risque de coincement ou de chutes.

La surface du matelas doivent être d'au moins 5" (127 mm) sous le bord supérieur du garde-corps.

Ne permettez pas aux enfants de moins de 6 ans d'utiliser les lits superposés.

Vérifier régulièrement et s'assurer que les garde-corps, de bain, et d'autres composants sont dans la bonne position, exempts de dommages, et que tous les connecteurs sont bien serrés.

Ne pas laisser les bousculades sur ou sous le lit et interdire de sauter sur le lit.

Interdire plus d'une personne sur la couchette supérieure.

Toujours utiliser l'échelle pour l'entrée et à la sortie de l'angle supérieur des lits superposés.

N'utilisez pas les articles de substitution. Contact service à la clientèle de Home Styles au www.homestyles-furniture.com pour les pièces de remplacement.

Utilisation d'une lumière de nuit peut offrir une plus grande précaution de sécurité pour un enfant à l'aide de la partie supérieure de la couchette.

Utilisez toujours des garde-corps sur les deux grands côtés de l'angle supérieur des lits superposés. Si le lit est placé à côté du mur, le garde-corps qui court sur toute la longueur du lit doit être placé contre le mur pour éviter la provocation policière entre le lit et le mur.

L'utilisation de l'eau ou de sommeil matelas de portance est interdite.

DANGER D'ÉTRANGLEMENT- Ne jamais attacher ou s'accrocher articles à n'importe quelle partie du lit superposé qui ne sont pas conçus pour une utilisation avec le lit; par exemple, mais non limité à, des crochets, des ceintures, et sauter des cordes.

Conservez ces instructions pour référence future.

CARE INSTRUCTIONS

NEVER

allow liquids to remain on furniture.
Absorption causes parts to warp
and split and finishes to delaminate.

NEVER

use glass cleaners on
finished furniture. Ammonia
chemically attacks the finish.



Do not use power tools
above 8 volts to assemble.
**PREVENT
CRACKING**



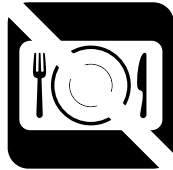
Do not place
in direct sunlight.
**PREVENT
FADING**



Do not write
directly on surface.
**PREVENT
MARKING**



Do not place hot
objects on surface.
**PREVENT
FINISH DAMAGE**



Do not use rubber
based placemats.
**PREVENT
DISCOLORING**



Do not use commercial
waxes and polishes.
**PREVENT
YELLOWING**

CLEAN

with a soft cloth moistened
in lukewarm soap and water.
Buff with a dry clean cloth.



Home Styles will provide replacements free of charge for missing or damaged hardware or parts within 30 days of purchase. Digital images of the defective parts may be required. If the product was not purchased from an authorized retail affiliate, Home Styles is under no obligation to provide replacement parts. Parts are not available for fully assembled items nor are parts available for sale. Replacements for missing or damaged hardware or parts may be requested at:

www.homestyles-furniture.com/customer-service/replacement-parts

Home Styles Customer Service: www.homestyles-furniture.com,
servicedesk@homestyles-furniture.com, 888-680-7460, 877-831-0319