

ORDER BY PART NUMBER

ILLUSTRATED PARTS

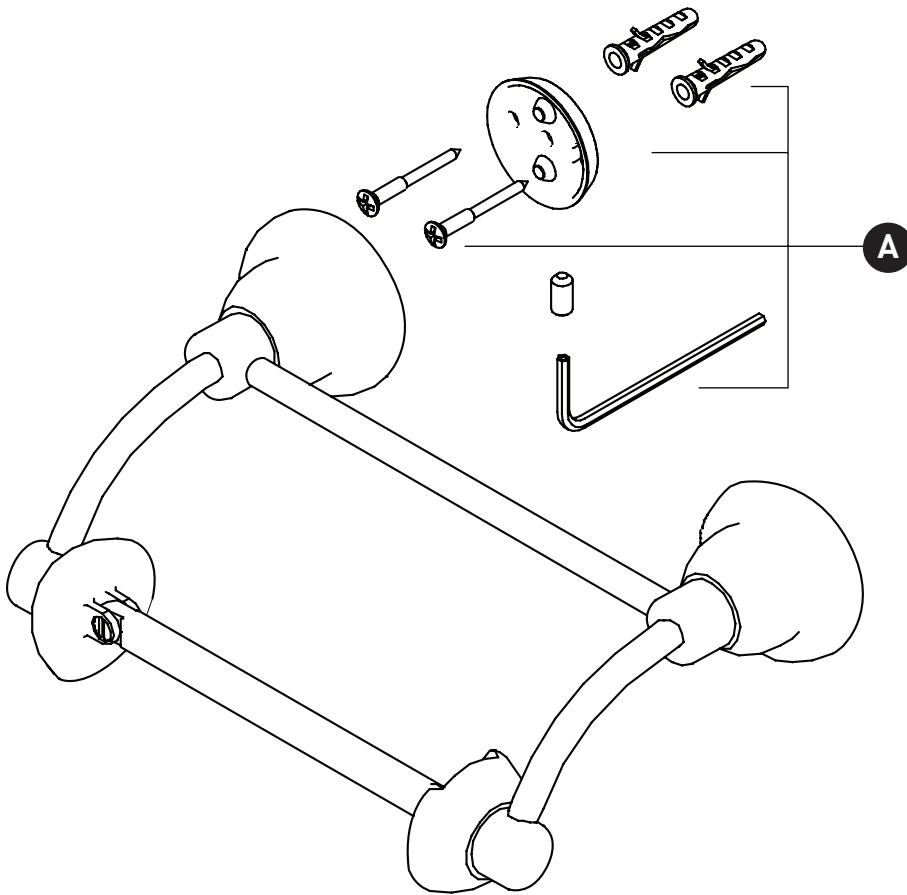
U.6448

Holborn™ Toilet Paper Holder

ID	Kit Number	Finish
A	9.18545	N/A

*Finish Determined by Suffix

Finish	Description
APC	Polished Chrome
EG	English Gold
PN	Polished Nickel
STN	Satin Nickel
ULB	Unlacquered Brass



For warranty or additional information, contact:

U.S.A.
houseofrohl.com/support
1-800-777-9762

QUEBEC / MARITIMES / WESTERN CANADA
QUÉBEC / MARITIMES / OUEST CANADIEN
QUEBEC / MARITIMOS / CANADA OCCIDENTAL
houseofrohl.ca/support
1-866-473-8442

ONTARIO
houseofrohl.ca/support
1-800-287-5354

**VEUILLEZ EFFECTUER VOTRE COMMANDE
PAR NO DE RÉFÉRENCE**

ILLUSTRATIONS DES PIÈCES

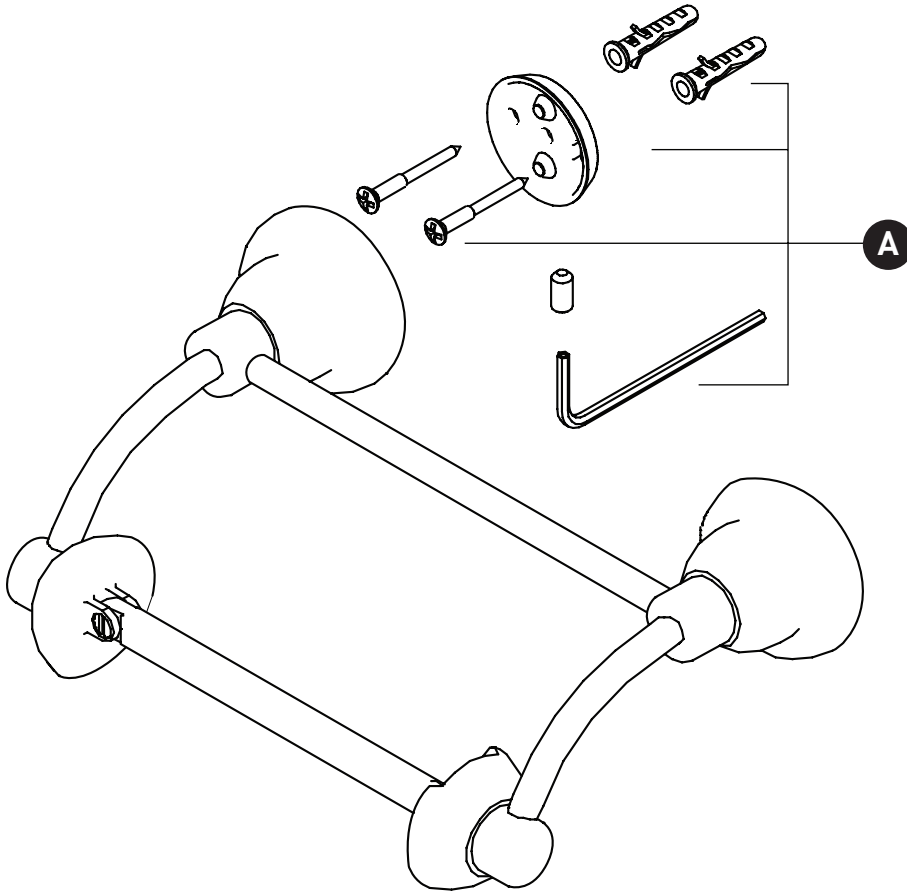
U.6448

Porte-papier mural Holborn™

ID	Référence du kit	Finition
A	9.18545	N/A

***Finition déterminée par le Suffixe**

Finition	Description
APC	Laiton poli
EG	Or anglais
PN	Nickel poli
STN	Nickel satiné
ULB	Laiton non laqué



For warranty or additional information, contact:

U.S.A.
houseofrohl.com/support
1-800-777-9762

QUEBEC / MARITIMES / WESTERN CANADA
QUÉBEC / MARITIMES / OUEST CANADIEN
QUEBEC / MARITIMOS / CANADA OCCIDENTAL
houseofrohl.ca/support
1-866-473-8442

ONTARIO
houseofrohl.ca/support
1-800-287-5354

PEDIR POR NÚMERO DE REFERENCIA

PIEZAS ILUSTRADAS

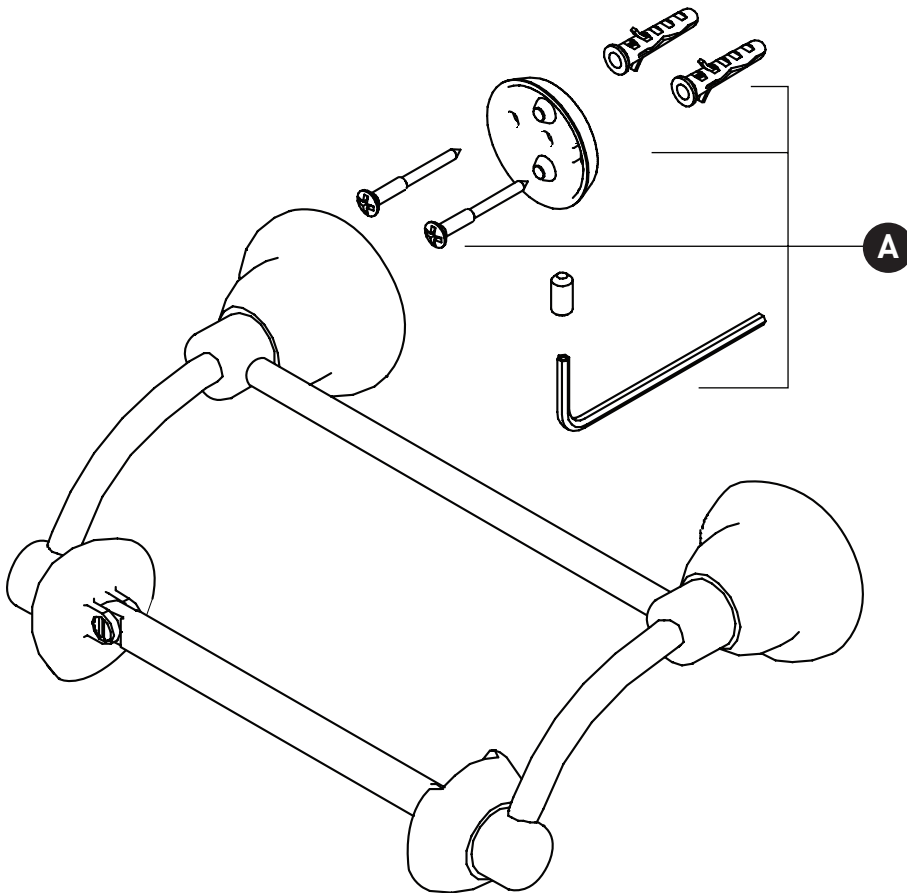
U.6448

Portarrollos de papel Holborn™

ID	Referencia del kit	Acabado
A	9.18545	N/A

***Acabado determinado por el sufijo**

Finish	Description
APC	Cromo pulido
EG	Oro inglés
PN	Níquel pulido
STN	Níquel satinado
ULB	Latón sin lacar



For warranty or additional information, contact:

U.S.A.
houseofrohl.com/support
1-800-777-9762

QUEBEC / MARITIMES / WESTERN CANADA
QUÉBEC / MARITIMES / OUEST CANADIEN
QUEBEC / MARITIMOS / CANADA OCCIDENTAL
houseofrohl.ca/support
1-866-473-8442

ONTARIO
houseofrohl.ca/support
1-800-287-5354