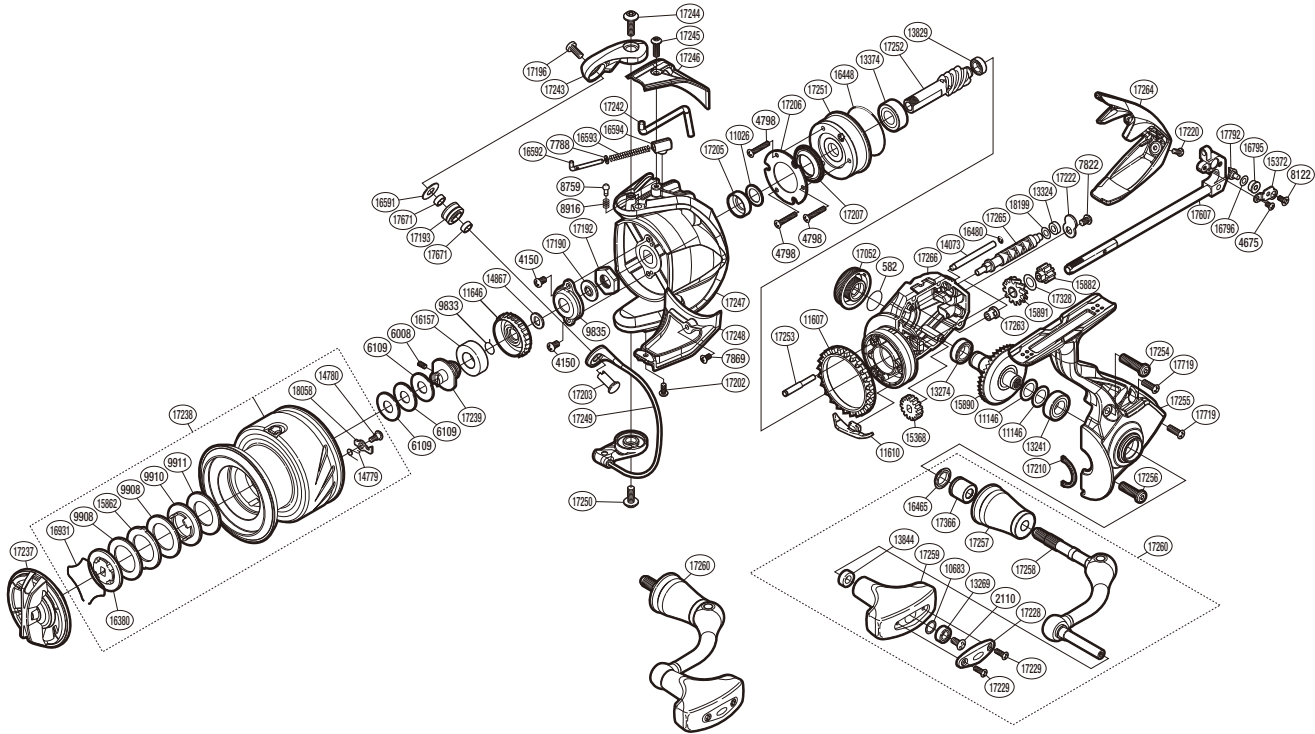


# SHIMANO

STRADIC  A-RB

ST-4000XGFK



Please note that the number of adjusting washers may not be the same as shown in the exploded views. (Adjustment will vary with each individual product.)

(51SE454011U)

Part No.	Description	Part No.	Description	Part No.	Description
RD 0582	O Ring	RD14780	Screw	RD17237	Drag Knob
RD 2110	Screw	RD14867	Spool Support	RD17238	Spool Assembly
RD 4150	Screw	RD15368	Idle Gear	RD17239	Bearing Bushing
RD 4675	Screw	RD15372	Oscillating Pawl Cover	RD17242	Bail Trip Lever
RD 4798	Screw	RD15862	Eared Washer	RD17243	Bail Arm
RD 5947	Screw	RD15882	Idle Gear B (Small)	RD17245	Screw
RD 6008	Set Screw	RD15890	Drive Gear	RD17246	Bail Spring Cover
RD 6109	Spool Washer	RD15891	Idle Gear B (Large)	RD17247	Rotor
RD 7788	Spring Guide (A) Support	RD16157	Spool Bushing	RD17248	Bail Hold Support Guard
RD 7822	Screw	RD16380	Key Washer	RD17249	Bail Assembly
RD 7869	Screw	RD16448	O Ring	RD17250	Screw
RD 8122	Screw	RD16465	Handle Shaft Seal	RD17251	Roller Clutch Assembly
RD 8759	Click Pin	RD16480	O Ring	RD17252	Pinion Gear
RD 8916	Click Spring	RD16591	Line Roller Plate	RD17253	Idle Gear B Shaft
RD 9833	Ratchet Spring	RD16592	Bail Spring Guide A	RD17254	Screw
RD 9835	Rotor Nut Lock Plate	RD16593	Bail Spring	RD17255	Side Cover
RD 9908	Drag Washer	RD16594	Bail Spring Seat	RD17256	Screw
RD 9910	Key Washer	RD16795	Oscillating Slider Bushing	RD17257	Handle Shaft Cover
RD 9911	Drag Washer	RD16796	Spacer	RD17258	Handle Shank Assembly
RD10683	Washer	RD16931	Drag Washers Retainer	RD17259	Handle Knob
RD11026	Washer	RD17052	Handle Screw Cap	RD17260	Handle Assembly
RD11146	Washer	RD17190	Bearing Water Proof	RD17263	Worm Bushing (Front)
RD11607	Friction Ring	RD17192	Rotor Nut	RD17264	Rear Protector
RD11610	Bail Trip Strike	RD17193	Line Roller	RD17265	Worm Shaft
RD11646	Drag Click Ratchet	RD17196	Screw	RD17266	Body
RD13241	Ball Bearing	RD17202	Screw	RD17269	Screw
RD13269	Ball Bearing	RD17203	Line Roller Support	RD17328	Washer
RD13274	Ball Bearing	RD17205	Rotor Ring	RD17366	Handle Shaft Cover B
RD13324	Worm Bushing	RD17206	Roller Clutch Reinforce	RD17607	Main Shaft Assembly
RD13374	Ball Bearing	RD17207	Roller Clutch Water Proof	RD17671	Bearing Spacer
RD13829	Ball Bearing	RD17210	Flange Water Proof	RD17719	Screw
RD13844	Handle Knob Bushing	RD17220	Screw	RD17792	Oscillating Pawl
RD14073	Oscillating Guide	RD17222	Worm Shaft Retainer	RD18058	Drag Click
RD14779	Drag Click Spring	RD17228	Handle Knob I.D. Plate	RD18199	Washer