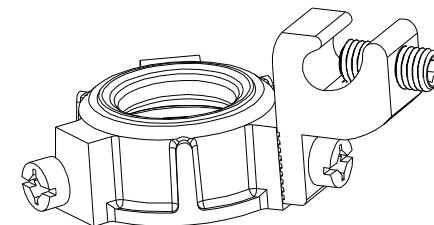
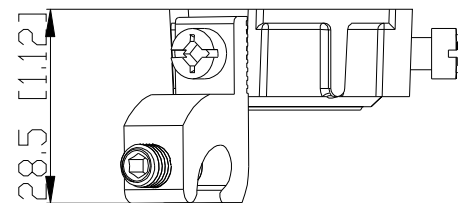
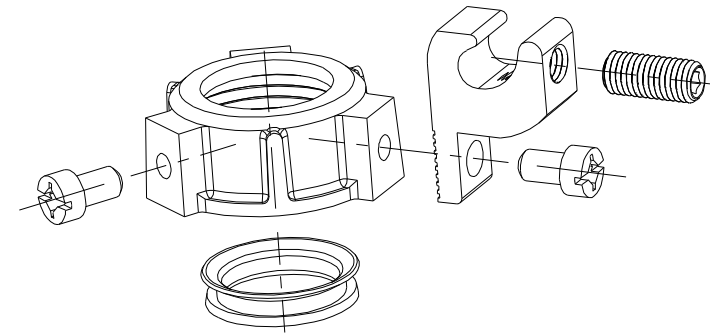
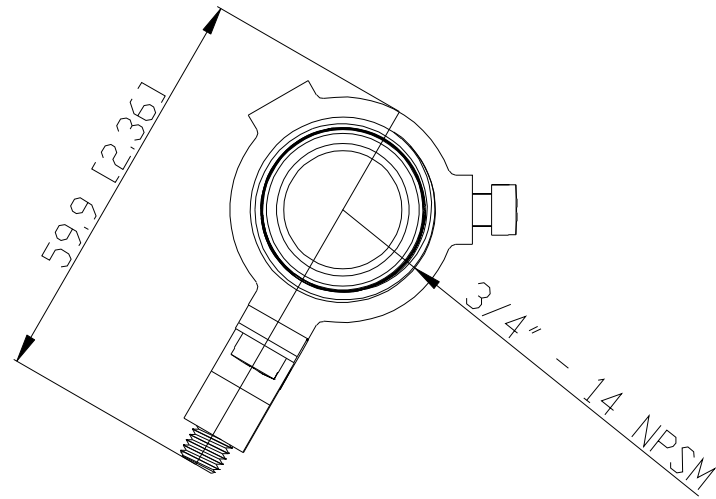


1	C
3	4
J	6
/	
SIDES	BOTTOM
Material: Malleable Iron	



DESCRIPTION

STANDARD PACKING
25 PCS

GARVIN INDUSTRIES		
TITLE 3/4" Univ Ground Bushing		
SIZE A4	DWG NO. DS-UGB-75	REV A

TRADE REFERENCE TERMS