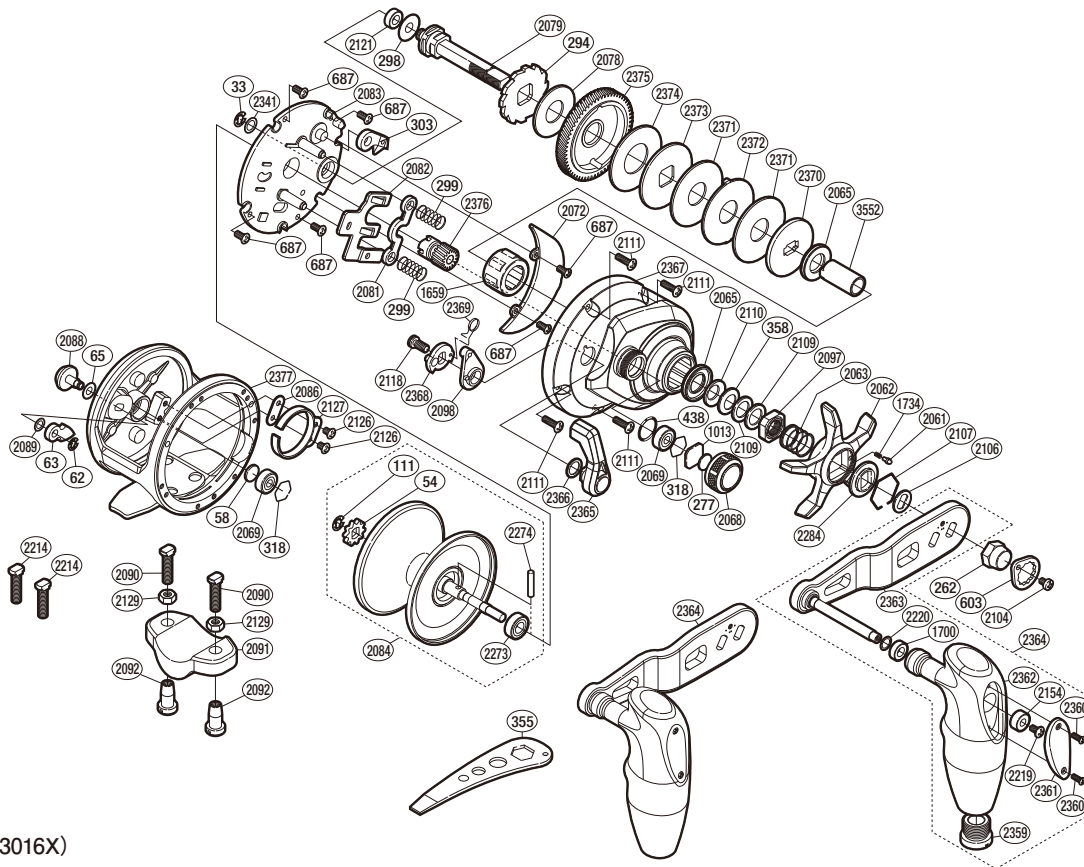


SHIMANO

TORIUM

TOR16PGA



(51RJ233016X)

#	Part No.	Description	#	Part No.	Description	#	Part No.	Description
33	105NG	Drive Shaft Retainer	2078	10CM0	Drag Washer A	2360	10L1T	Screw
54	104EX	Click Gear	2079	10D6U	Drive Shaft	2361	108SX	Handle Knob Id Plate
58	10GEU	Spacer	2081	10486	Yoke	2362	100PX	Handle Knob
62	105NK	E Lock	2082	1048A	Yoke Plate	2363	10RDZ	Handle Shank
63	10GQQ	Click Pawl	2083	10MU3	A Side Plate Set	2364	10RDY	Handle Assembly
65	104H2	Spacer	2084	10EPH	Spool Assembly	2365	10RDW	Clutch Lever Unit
111	105NJ	Click Gear Retainer	2086	104ZA	Click Spring Washer	2366	10JYT	Smoother
262	10FT1	Handle Nut	2088	104H0	Click Button	2367	10RE0	A Side Plate Assembly
277	10896	Cast Control Spacer B	2089	10GHP	Washer	2368	10RRE	Clutch Cam Unit
294	10D9M	Anti-Reverse Ratchet	2097	10A3X	Star Drag Nut	2369	10JYW	Clutch Spring
298	10588	Drive Shaft Washer B	2098	10L2A	Eccentric Cam Bushing	2370	10SAQ	Pressure Plate
299	104BY	Yoke Spring	2106	107QN	Drive Shaft Shield	2371	10RA1	Drag Washer D
303	10MWB	Anti-Reverse Pawl	2107	10KXW	Click Plate Retainer	2372	10RA2	Eared Washer E
318	10GGM	Bearing Retainer	2109	10J1P	Star Drag Spacer	2373	10RA0	Key Washer C
358	10EW3	Drag Spring Washer 8L	2110	109LA	Coned Disc Spring 8H	2374	10R9T	Drag Washer B
438	108WK	O Ring	2111	10L6L	Screw	2375	10R9S	Drive Gear
603	10LMC	Handle Nut Plate	2118	10MFB	Screw	2376	10R9Y	Pinion Gear
687	103GP	Screw	2121	10MAT	Drive Shaft Bushing	2377	10RDX	Frame Assembly
1013	1085F	Spool Tension Spacer	2126	10LHW	Screw	3552	10DH4	Roller Clutch Inner Tube
1659	10F37	Roller Clutch Bearing	2127	1046D	Click Spring			
1700	104UJ	Handle Knob Bushing	2154	10EU0	Handle Knob Bushing A	2090	10A9S	Rod Clamp Bolt (Accessory)
1734	10BT2	Click Spring	2219	10LFA	Screw	2091	10AS5	Rod Clamp (Accessory)
2061	10MFC	Click Pin B	2220	10HEP	Washer	2092	10JCF	Rod Clamp Nut A (Accessory)
2062	106YK	Star Drag	2273	108PE	Ball Bearing	2129	10HG9	Rod Clamp Nut B (Accessory)
2063	10A70	Star Drag Spring	2274	10MGR	Spool Clutch Pin	2214	10DMU	Rod Clamp Bolt (Accessory)
2065	10C69	Roller Clutch Water Proof	2284	10J26	Star Drag Click Plate			
2068	10JWV	Cast Control Cap	2287	10LLU	Screw			
2069	10KAF	Ball Bearing	2341	10T89	Washer			
2072	10QCH	Set Plate Sticker	2359	10177	Handle Knob Seal	355	10MJ2	Wrench1 (Accessory)

Please note that the number of adjusting washers may not be the same as shown in the exploded views.
(Adjustment will vary with each individual product.)

(230712)_009