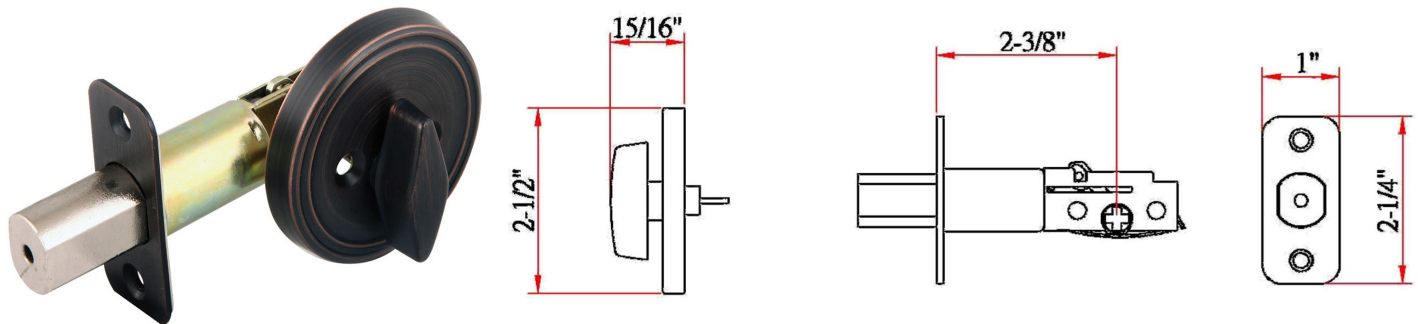


Single Cylinder Deadbolt Brushed Bronze



SPECIFICATIONS

MATERIAL CONSTRUCTION:	Brass	KEYWAY:	KW
LOCK FUNCTION:	Deadbolt	REMOVABLE CORE:	No
DEADBOLT FUNCTION:	Single Sided	LATCH FACEPLATE I:	Round Corner
EXTERIOR MAX PROJECTION:	0.94"	LATCH BACKSET:	Fixed; 2-3/8" Only
INTERIOR MAX PROJECTION:	0.94"	LATCH TYPE:	2 Way (fixed faceplate)
KOB VS. LEVER:	N/A	LATCHBOLT THROW DISTANCE:	1"
KNOB DIMENSIONS:	N/A	# PINS IN CYLINDER:	5
LEVER LENGTH:	N/A	ANTI-BUMP PIN INSTALLED:	No
ROSE DIMENSIONS:	2.5" H x 2.5" W x 2.5" D	# KEYS INCLUDED:	2
ROSETTE / ESCUTCHEON SHAPE:	Round	SPINDLE TYPE:	Deadbolt
CROSS BORE:	2.13"	MOUNTING HARDWARE INCLUDED:	Yes
EDGE BORE:	1"	TOOLS NEEDED FOR INSTALLATION:	Phillips Screwdriver
HANDING:	Reversible	ASSEMBLED WEIGHT:	0.58 lbs.
REKEYABLE?:	No		

WARRANTY:	5-Year limited warranty
ANSI CERTIFICATION:	Grade 3
BHMA GRADE:	3
FIRE RATED:	No
ADA COMPLIANT:	No



TYPE: JOB: ORDER CODE: APPROVALS:
--