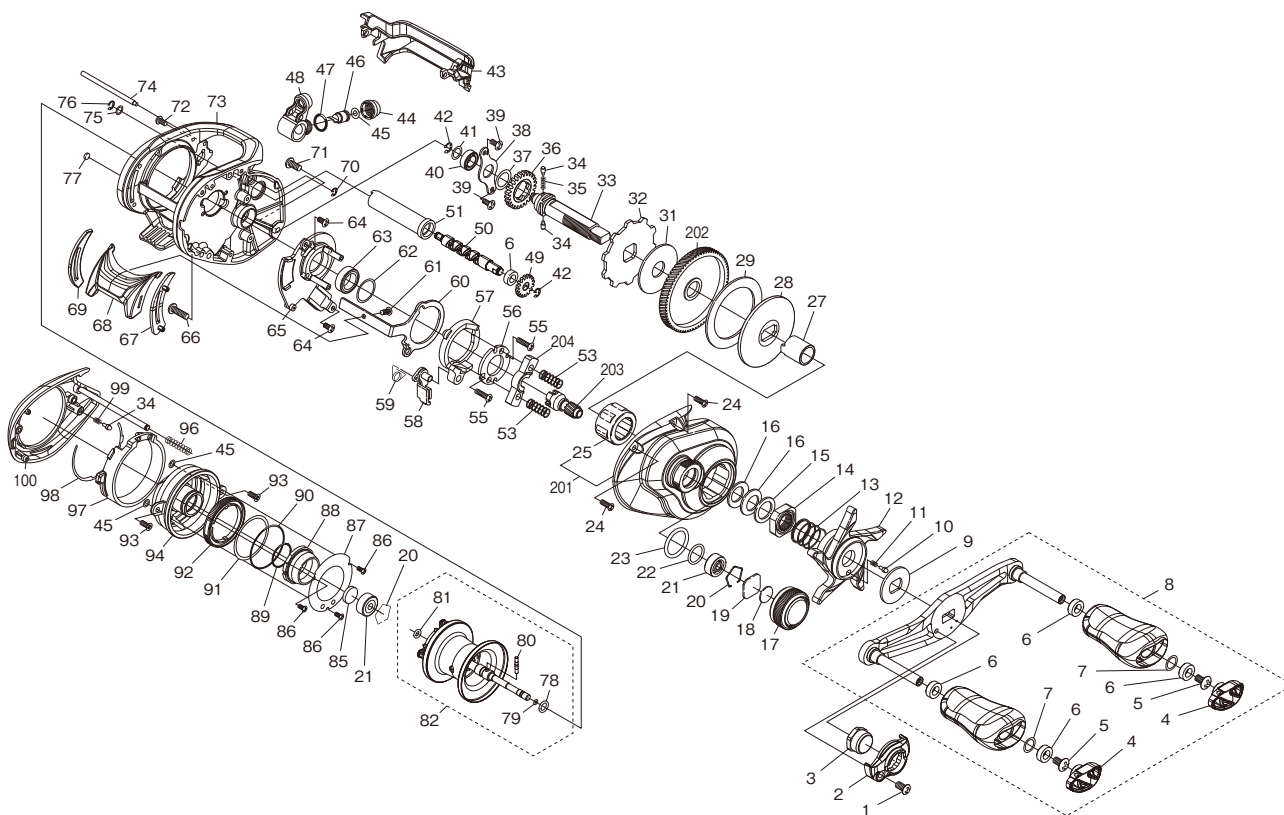


SHIMANO

SLX

SLX70HGA



(51RL743A30X)

#	Part No.	Description	#	Part No.	Description	#	Part No.	Description
1	101VV	Screw	37	108WU	O Ring	73	13ZY4	Frame
2	10Q5T	Handle Nut Plate	38	109T1	Drive Shaft Retainer	74	100UT	Stabilizer Bar
3	10E67	Handle Nut	39	10E23	Screw	75	10FJZ	Washer
4	1027R	Handle Knob Seal	40	105BL	Ball Bearing	76	105NC	E Lock
5	103E9	Screw	41	10C47	Washer	77	108PY	Washer
6	10PXZ	Bushing	42	105NK	E Lock	78	10TM7	O Ring
7	104FH	Washer	43	13GG8	Level Wind Protector	79	100BH	O Ring
8	13ZYD	Handle Assembly	44	10FJB	Pawl Cap	80	10P67	Spool Clutch Pin
9	10J22	Star Drag Click Plate	45	10CFU	Washer	81	10E27	O Ring
10	10MFC	Click Pin	46	10BHQ	Worm Shaft Pin	82	13ZYE	Spool Assembly
11	10BT2	Click Spring	47	108WQ	O Ring	85	10EX5	Bearing Spacer
12	100HF	Star Drag	48	10DUG	Line Guide Assembly	86	10E7R	Screw
13	10A70	Star Drag Spring	49	10SRL	Idle Gear C	87	100HC	Brake Dial Retainer Plate
14	10A3T	Star Drag Nut	50	13ZY5	Worm Shaft	88	10E6U	Brake Ring Gear
15	10J1N	Star Drag Spacer	51	100UF	Level Wind Guard	89	10LA8	O Ring
16	109F5	Washer	53	100U9	Yoke Spring	90	10CG1	O Ring
17	10050	Cast Control Cap	55	10LV0	Screw	91	10RHW	Washer
18	10896	Cast Control Spacer B	56	100US	Clutch Cam Retainer	92	1000Y	Brake Dial
19	1085F	Cast Control Spacer A	57	100UK	Clutch Cam	93	100UL	Screw
20	1054D	Bearing Retainer	58	10MME	Clutch Pawl Assembly	94	145GA	Dial Case
21	105C0	Ball Bearing	59	10R1H	Clutch Pawl Spring	96	10KNH	Spring
22	101GT	O Ring	60	100UG	Clutch Plate	97	100NE	B Side Plate Cam Lever
23	10R22	O Ring	61	10LF4	Screw	98	100ND	Washer
24	10LCY	Screw	62	10190	Washer	99	10GQZ	Click Spring
25	10F5C	Roller Clutch Bearing	63	10EX6	Ball Bearing	100	145GB	B Side Plate Assembly
27	100UC	Roller Clutch Inner Tube	64	10LCT	Screw	201	145G5	A Side Plate Assembly
28	10D3H	Key Washer	65	10DUK	Clutch Guard Assembly	202	10CMC	Drive Gear
29	106XT	Drag Washer	66	100UV	Screw	203	10CSC	Pinion Gear
31	10CHF	Drag Washer	67	100MH	Clutch Bar Guide B	204	10S8M	Yoke
32	10D73	Anti-Reverse Ratchet	68	100ML	Clutch Button			
33	100UP	Drive Shaft	69	100MW	Clutch Bar Guide A			
34	10HJF	Idle Gear Pin	70	105NB	E Lock			
35	10JDY	Idle Gear Spring	71	100UU	Screw			
36	101K8	Idle Gear A	72	100U4	Screw			

Please note that the number of adjusting washers may not be the same as shown in the exploded views.
(Adjustment will vary with each individual product.)

(240205)_002