



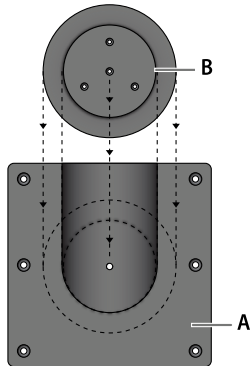




# QuickFit Dartboard Mounting Bracket

Item #: 37-9003

For proper dartboard care, please visit  
<https://gldproducts.com/dartboard-maintenance>

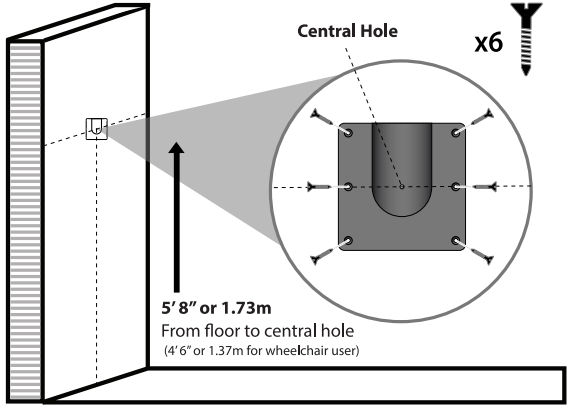
## PARTS INCLUDED

 <b>x1 Pro Line Oche Tape</b>	 <b>x6 Mounting Screws</b>	 <b>x1 Mounting Bracket</b>
 <b>x4 Stabilizer Screws</b>	 <b>x6 Wall Anchors</b>	

## TOOLS NEEDED

 <b>Drill</b>	OR	 <b>Screwdriver</b>
 <b>Pencil</b>	 <b>Tape Measure</b>	

## 1



**5' 8" or 1.73m**  
From floor to central hole  
(4' 6" or 1.37m for wheelchair user)

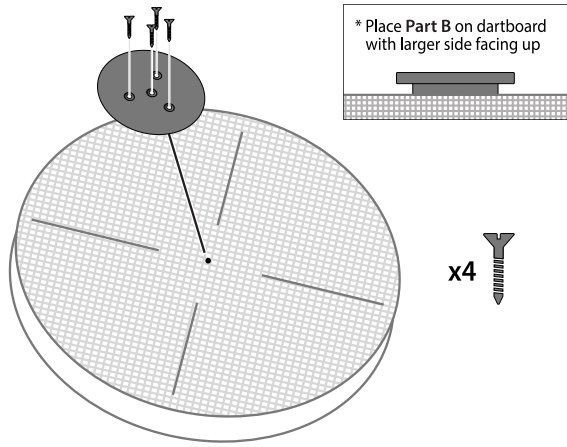
**Central Hole** **x6**

*If your product is missing parts, please call  
 Customer Support at (800) 225-7593  
 or email [support@gldgames.com](mailto:support@gldgames.com)*

**CAUTION!** BEWARE OF ELECTRICAL WIRES AND WATER PIPES WHEN DRILLING THROUGH YOUR WALL.  
**CAUTION! CHOKING HAZARD:** THIS PRODUCT INCLUDES SMALL OBJECTS NOT SUITABLE FOR CHILDREN UNDER 3 YEARS OLD.

On the wall, mark a spot 5'8" from the floor and align the central hole of **Part A** with the mark. Drive the **6 Mounting Screws** into the corresponding holes. Use the **6 Wall Anchors** if not over a stud.

## 2

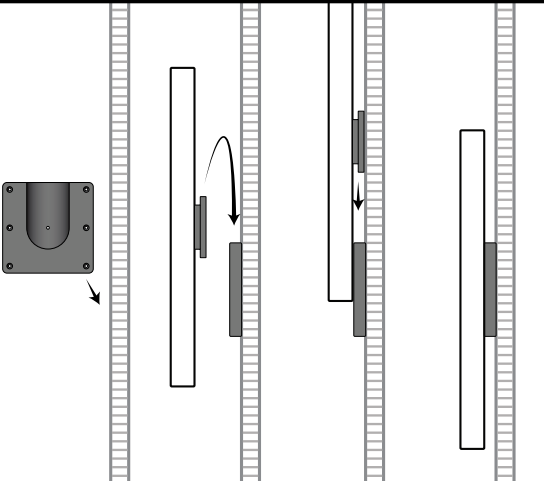


**x4**

\* Place Part B on dartboard with larger side facing up

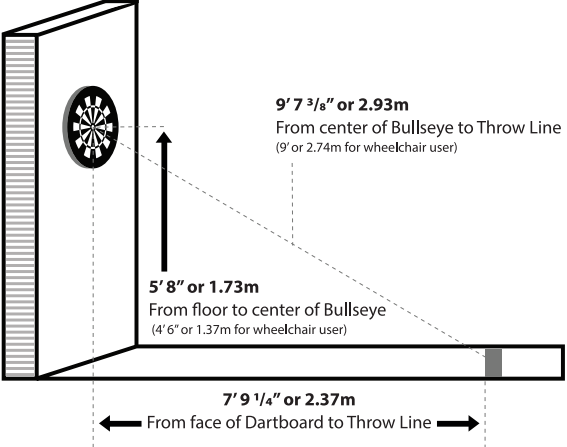
Apply **Part B** directly in the center on the backside of your dartboard. Drive the **4 Stabilizer Screws** into the proper holes.

## 3



After **Part A** and **Part B** have been installed, slide the dartboard onto the **QuickFit Dartboard Mounting Bracket**.

## 4



**9' 7 3/8" or 2.93m**  
From center of Bullseye to Throw Line  
(9' or 2.74m for wheelchair user)

**5' 8" or 1.73m**  
From floor to center of Bullseye  
(4' 6" or 1.37m for wheelchair user)

**7' 9 1/4" or 2.37m**  
From face of Dartboard to Throw Line

Use the **Pro Line Oche Tape** to mark off the correct distance from your wall to your throw line.