





ASSEMBLY INSTRUCTION

Item: EC110-099 Charleston Executive Swivel Tilt Chair
 EC110-088 Charleston Executive Swivel Tilt Chair



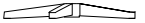




Thank you for purchasing this quality product. Be sure to unpack carefully looking for small parts which may have come loose during shipment.

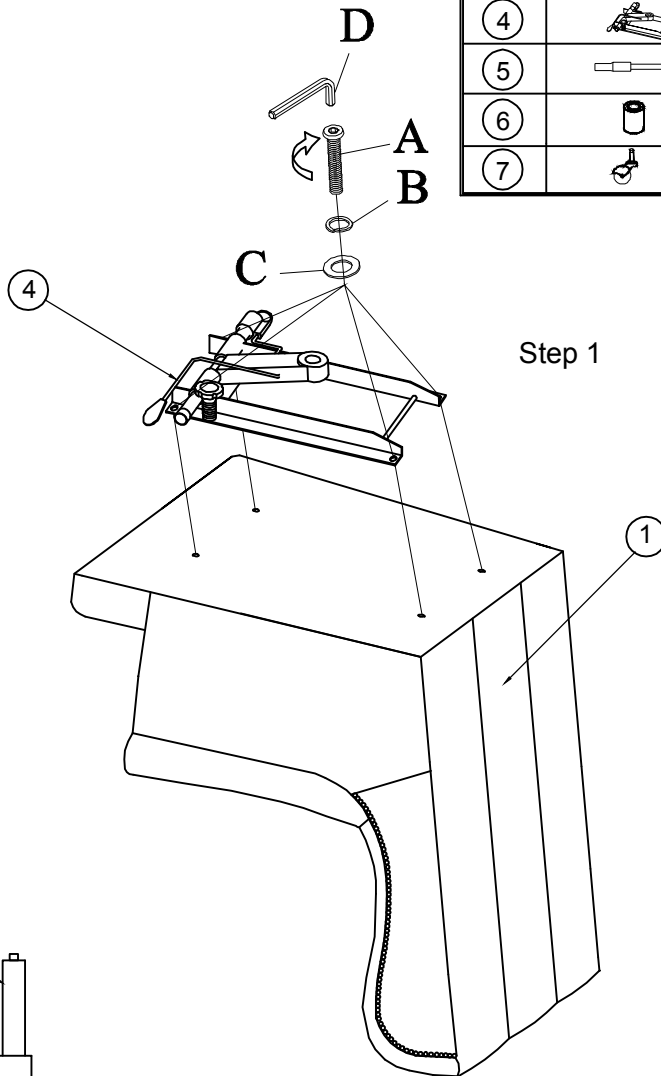
Read all instruction and study the drawing carefully before starting the assembly process.

HARDWARE PACK

NO	DRAWING	DESCRIPTION	SIZE	Q'TY
A		Allen Bolt	Ø5/16"*1-1/4"	4pcs
B		Lock Washer	Ø5/16" *Ø12*3	4pcs
C		Flat Washer	Ø5/16"x19x2	4pcs
D		Allen Key	5mm	1pc

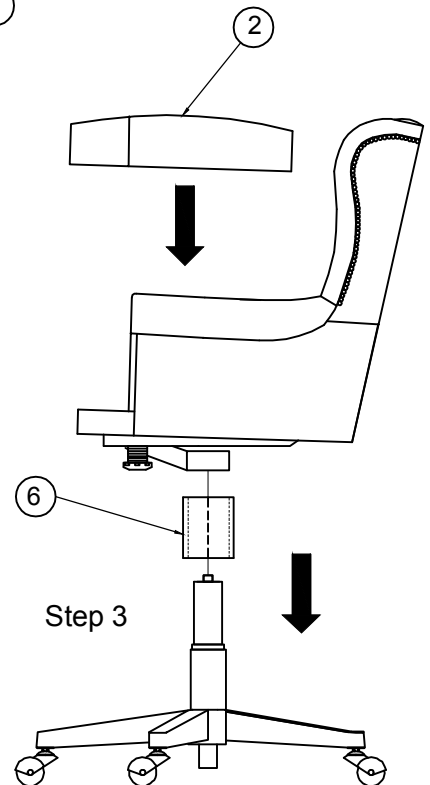
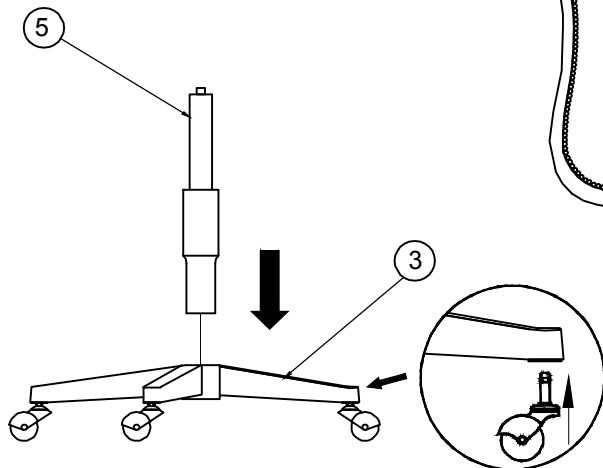
PART LIST

NO.	DRAWING	DESCRIPTION	QTY
①		Chair Body	1pc
②		Seat Cushion	1pc
③		5 Star Base	1pc
④		Metal Base	1pc
⑤		Piston	1pc
⑥		Upper Cover Con	1pc
⑦		Caster	5pcs



Step 1

Step 2



Step 3