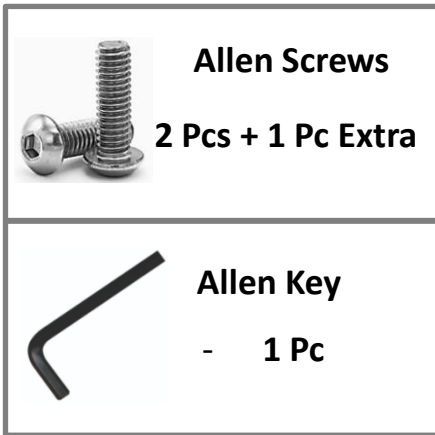
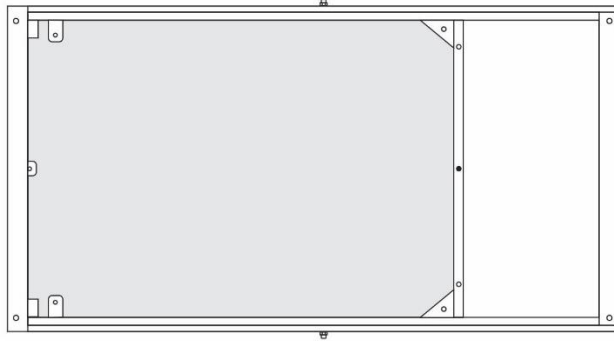


# Assembly Instructions

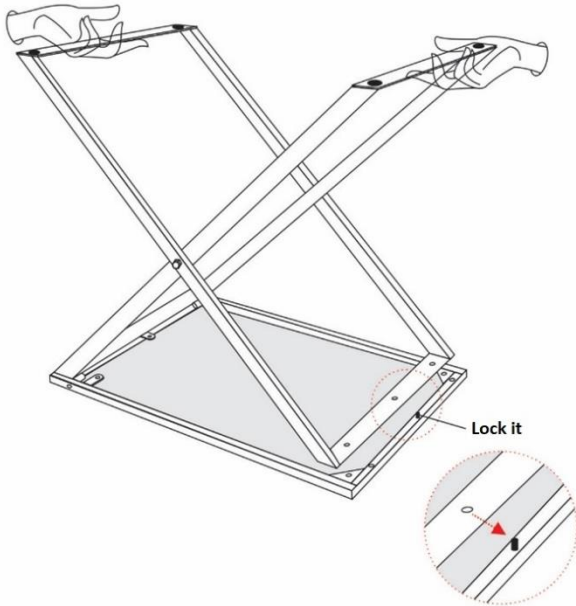
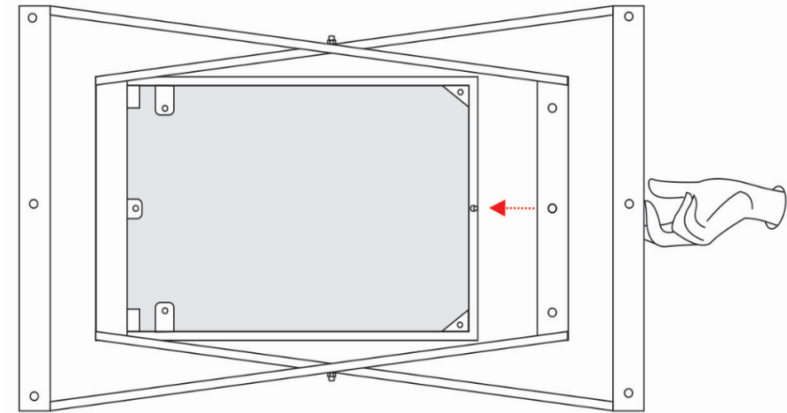
## Laraway Wood / Metal Folding Side Table



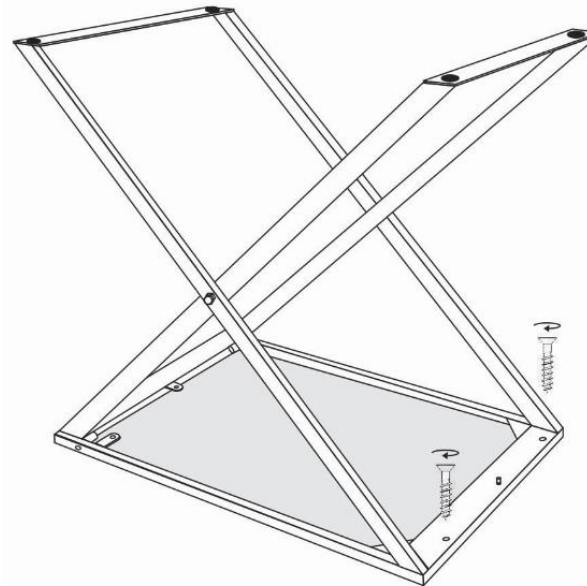
Place the folded table, with wood top downwards.  
Use protective surface to avoid scuffing the top.



**Step – 1 : Lift up right end a little bit**



**Step – 2 : Lift both ends up and fix the left side metal bar with the top, by fitting bush into the hole as shown in the image.**



**Step - 3**  
**Secure the top and stand with Allen Screws**



**Assembled**