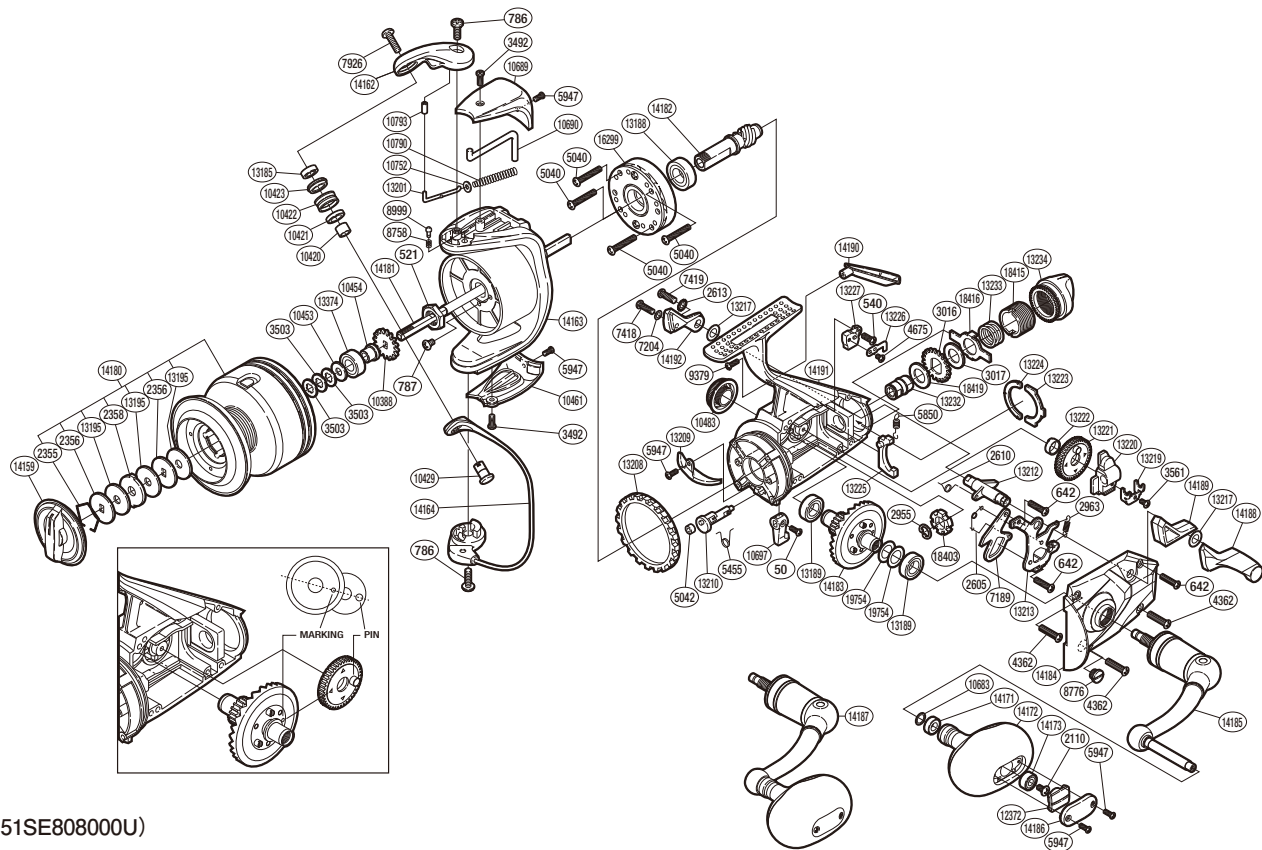


SHIMANO

THUNNUS CI4

TU-8000CI4



(51SE808000U)

#	Part No.	Description	#	Part No.	Description	#	Part No.	Description
50	10MPT	Screw	9379	10L1U	Screw	13224	1050X	Dial Retainer B
521	10MSW	Rotor Nut	10388	103MP	Spool Support	13225	10N0W	Baitrunner Pawl
540	103GS	Screw	10420	10GAP	Bearing Spacer	13226	106RY	Dial Click
642	10M35	Screw	10421	10CZA	Line Roller Collar	13227	106WH	Baitrunner Pawl Guide
786	103J1	Screw	10422	10KQS	Line Roller	13232	1050Y	Free Spool Tension Shaft
787	103L6	Screw	10423	107R2	Line Roller Bushing	13233	106RU	Free Spool Tension Spring
2110	103E9	Screw	10429	10L00	Line Roller Support	13234	10LYF	Baitrunner Tension Dial
2355	10B6E	Drag Washers Retainer	10453	105LN	Spool Support B	13374	104Q5	Ball Bearing
2356	10B9G	Key Washer	10454	10LTG	Bearing Bushing	14159	102FP	Drag Knob
2358	10BCR	Eared Washer	10461	10JHQ	Rotor Side Cover	14162	10N0F	Bail Arm
2605	10QCX	Clutch Pawl Spring	10483	10P4K	Handle Screw Cap	14163	10Q5M	Rotor
2610	104CD	Clutch Spring	10683	10HTT	Washer	14164	107MF	Bail Assembly
2613	105N4	Lock Washer	10689	10DD2	Bail Spring Cover	14171	104UJ	Handle Knob Bushing
2955	105S4	C Lock	10690	10F19	Bail Trip Lever	14172	10CZF	Handle Knob
2963	10422	Baitrunner Click Spring	10697	10JG4	Anti-Reverse Lever	14173	10KX2	Ball Bearing
3016	10BTL	Click Gear	10752	10TYE	Spring Guide A Support	14180	10LXU	Spool Assembly
3017	10KJ4	Free Spool Tension Washer	10790	10FVF	Bail Spring	14181	10L1A	Main Shaft
3492	103DC	Screw	10793	10PK9	Bail Arm Collar	14182	105WJ	Pinion Gear
3503	10BXK	Spool Washer	12372	10B97	Handle Knob Seal	14183	10A5D	Drive Gear
3561	10MT4	Screw	13185	105BP	Ball Bearing	14184	10CAM	Side Cover
4362	10MBT	Screw	13188	10BGD	Ball Bearing	14185	1066K	Handle Shank Assembly
4675	10LV7	Screw	13189	104PT	Ball Bearing	14186	108SN	Handle Knob I.D. Plate
5040	103LA	Screw	13195	1033Z	Drag Washer	14187	10LP8	Handle Assembly
5042	106F8	Anti-Reverse Cam Ring	13201	105YT	Bail Spring Guide A	14188	10Q7A	Baitrunner Lever Arm L
5455	10DCK	Anti-Reverse Cam Spring	13208	10D7T	Friction Ring	14189	10PA7	Baitrunner Lever Bridge
5850	10G75	Baitrunner Pawl Spring	13209	10D91	Bail Trip Strike	14190	10460	Body I.D. Plate
5947	103NH	Screw	13210	10DC9	Anti-Reverse Cam	14191	10NWK	Body
7189	10G6Z	Clutch Pawl	13212	106MX	Baitrunner Lever Shaft	14192	108NY	Baitrunner Lever Arm R
7204	10KF3	Lock Washer	13213	10NZV	Clutch Plate Assembly	16299	10QPF	Roller Clutch Assembly
7418	10L6L	Screw	13217	10G9Z	Spacer	18403	10P0M	Baitrunner Ratchet
7419	10LLG	Screw	13219	10JZT	Oscillating Slider Retainer	18415	106RM	Free Spool Tension Screw
7926	103HN	Screw	13220	104WQ	Oscillating Slider	18416	107CN	Eared Washer
8758	10HEN	Click Spring	13221	10PGQ	Oscillating Gear	18419	10P0T	Free Spool Tension Washer
8776	104KM	Oil Cap	13222	10JYG	Oscillating Gear Bushing	19754	10DKJ	Washer
8999	10HEA	Click Pin	13223	106S3	Dial Retainer			

Please note that the number of adjusting washers may not be the same as shown in the exploded views.
(Adjustment will vary with each individual product.)

(231116)_005