

ASSEMBLY INSTRUCTIONS

9 ft. Half Market Umbrella



Care & Maintenance

- Clean with lukewarm water, mild detergent & Sponge
- Wipe down aluminum pole with damp cloth
- Store in a dry location when not in use

Safety Precautions

- Store the umbrella in windy or stormy weather
- Do Not allow umbrella to flap in the wind as it may cause damage
- When adjusting umbrella, make sure no person or item is close to umbrella to avoid injury or damage

A Perfect Match!



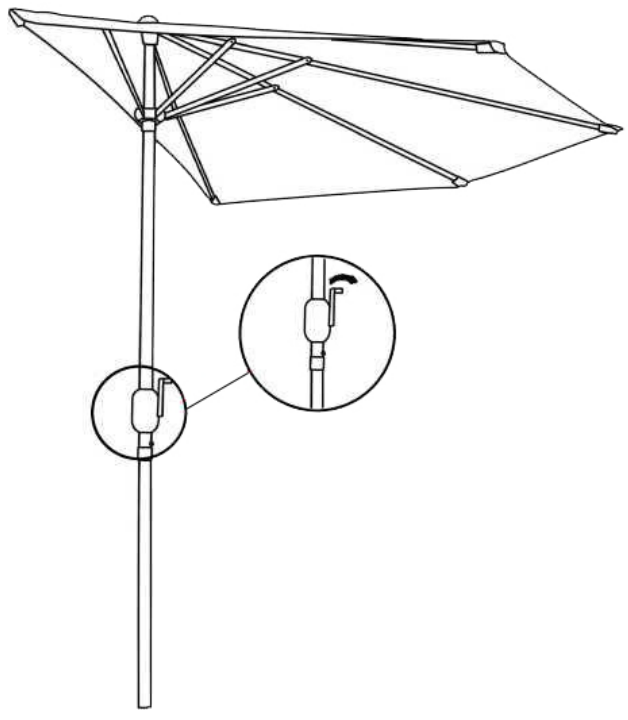
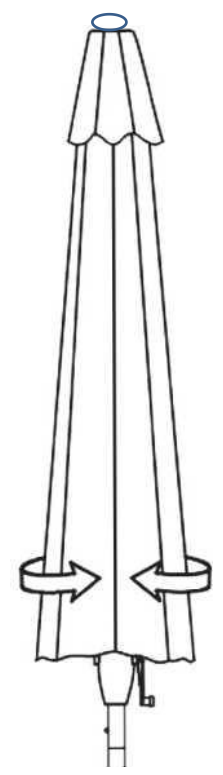
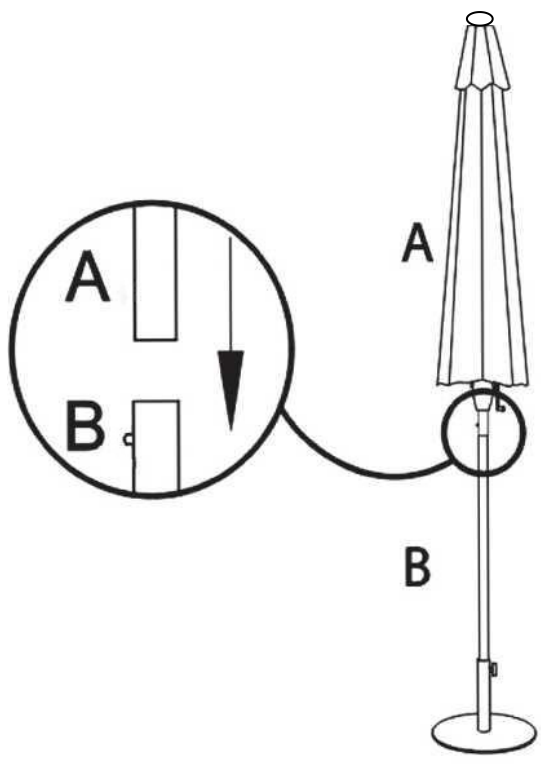
UPC#:631851052995



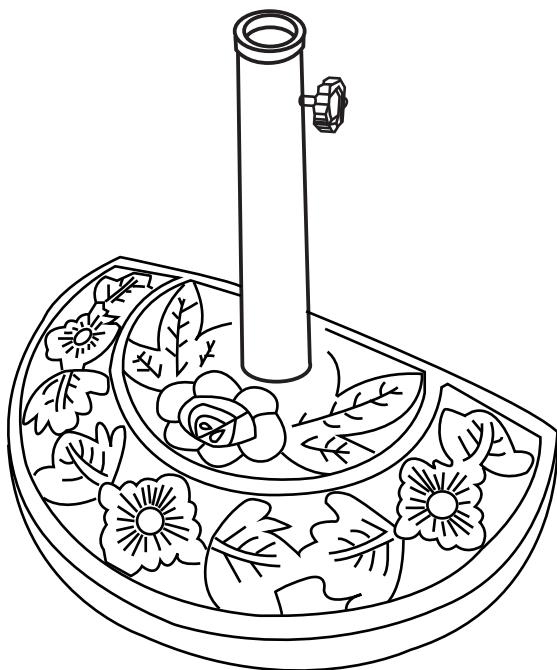
UPC#:792057864758



UPC#:631851053015



INSTRUCTION MANUAL



**Peru Sturdy Freestanding Resin
Umbrella Half Base, Black
SKU: OS5004**

! NOTICE

- Store in a location when not in use.
- Do not allow umbrella to flap in the wind as it may cause damage.
- When adjusting umbrella, make sure no person or item is close to umbrella to avoid injury or damage.

NO TOOLS REQUIRED



1 PERSON
ASSEMBLY



UP TO 20 MIN.
ASSEMBLY

HARDWARE

1

PLASTIC HEAD
BOLT



1 PC

2

LOCKING BOLT



1 PC

3

SPACER



1 PC

4

WASHER



1 PC

5

HEX
WRENCH



1 PC

PARTS

A

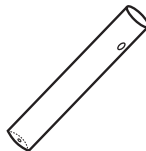
PLASTIC BASE



1 PC

B

EXTEND POLE



1 PC

C

CONNECT POLE



1 PC

D

SUPPORTING
RING



1 PC

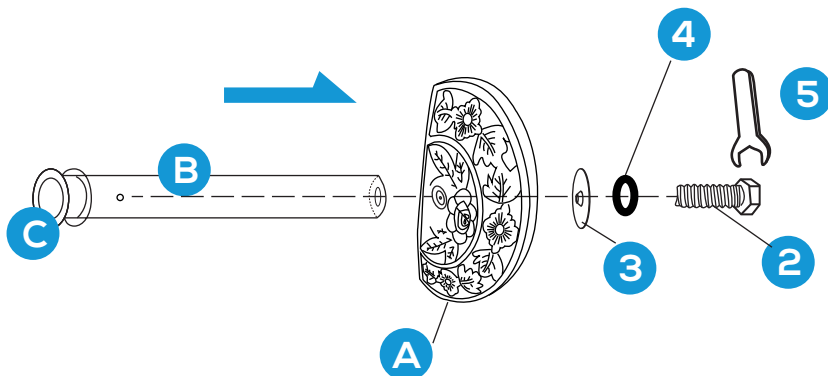
Part D is already inside the bottom of part B.
No need to take out.

PRODUCT ASSEMBLY

1

Put part B Extend Pole into part A Plastic Base, attach part 2 Locking Bolt, part 3 Spacer and part 4 Washer to part B Extend Pole as below.

Pay attention that part C Connect Pole is already assembled on head of part B.



2

Check the diameter of your umbrella pole and choose part C1 / C2 in suitable size.

- Take out part C1 and leave part C2 when the diameter is 48mm;
- Keep both C1 and C2 when the diameter is 38mm.

Insert your umbrella pole into part B, attach part 1 Plastic head bolt onto part B Extend Pole, then tighten it to keep your umbrella stable.

