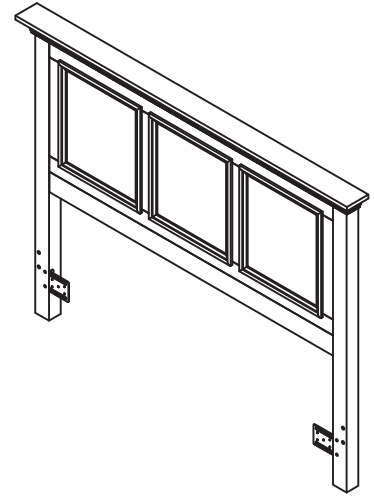


Queen Headboard



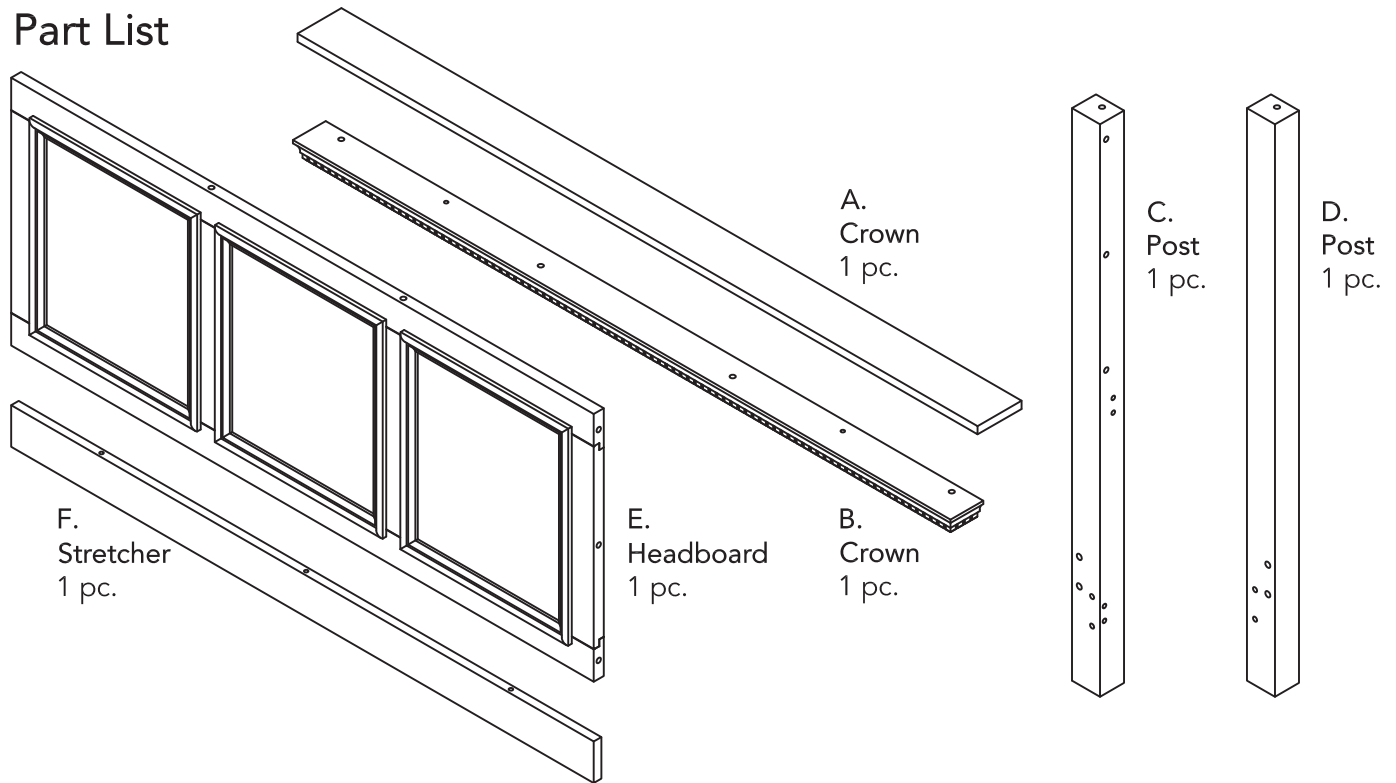
IMPORTANT

Carefully remove all the parts from the carton and place them individually on a soft cloth to prevent scratches or other damage.

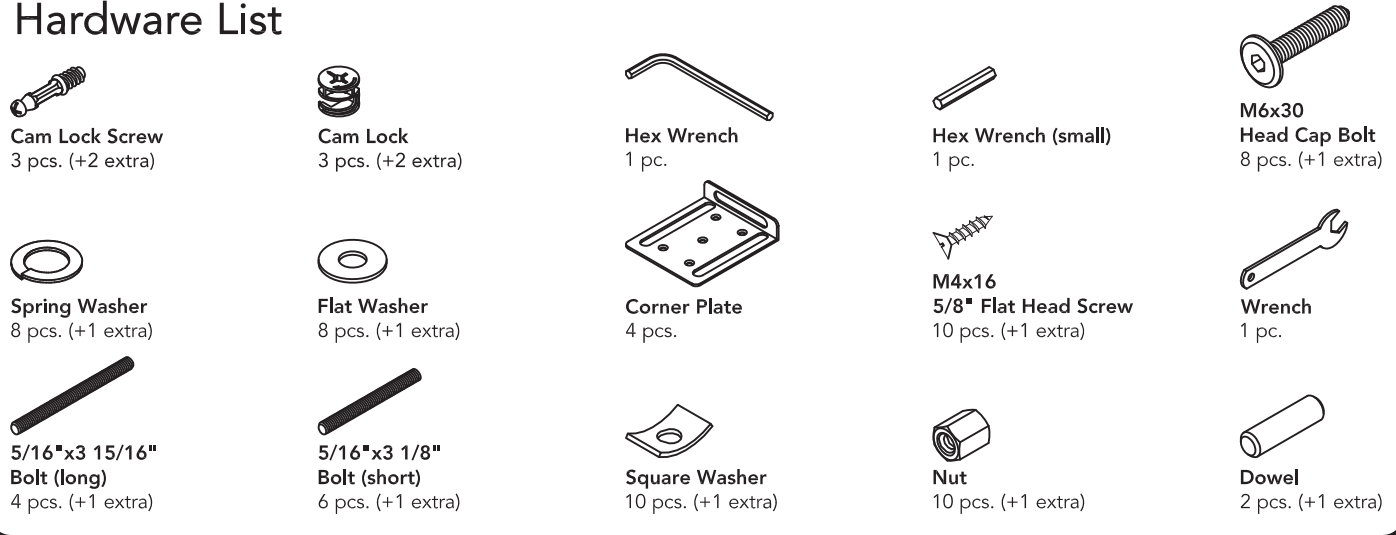
Carefully and strictly follow these assembly instructions to ensure a completed product as designed.

Do not use power tools above 8 volts to assemble.

Part List



Hardware List



Tool(s) required for assembly: Phillips screwdriver

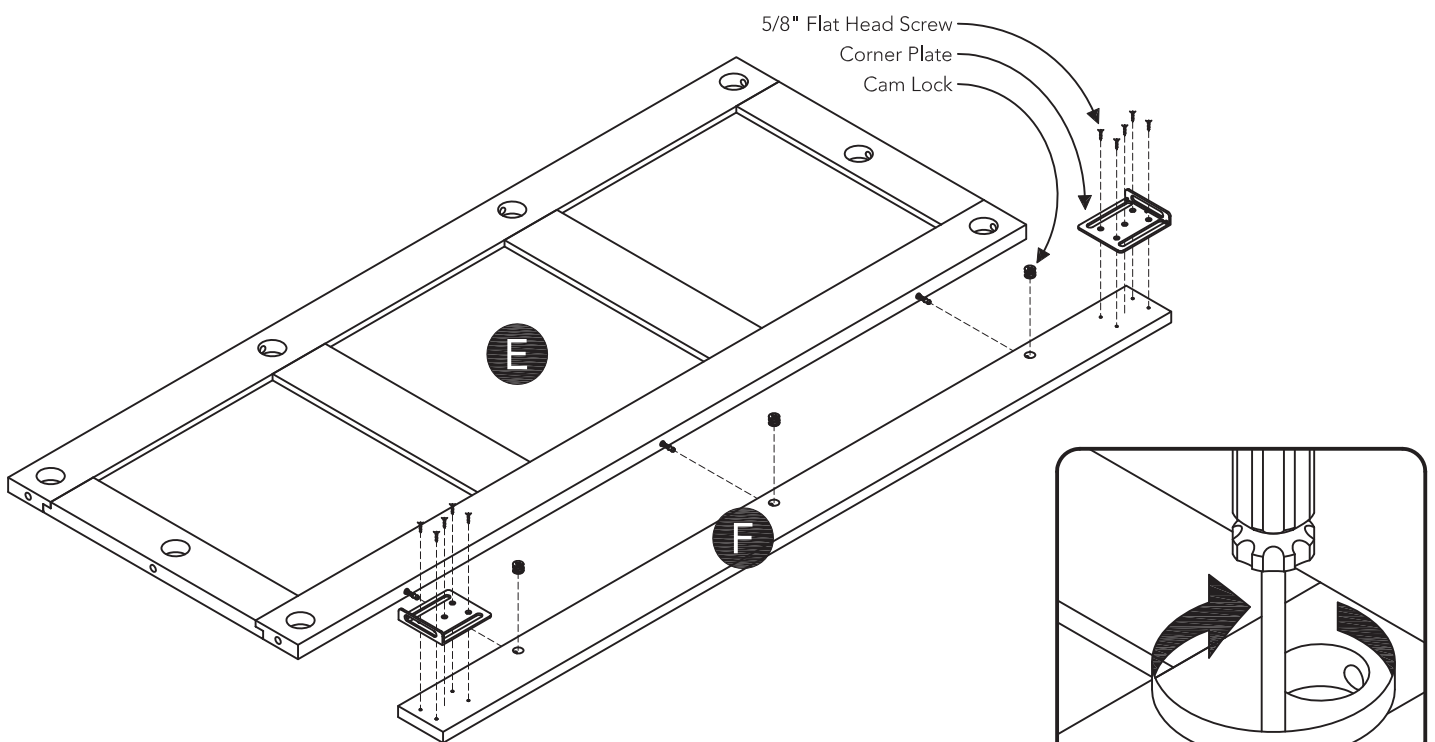
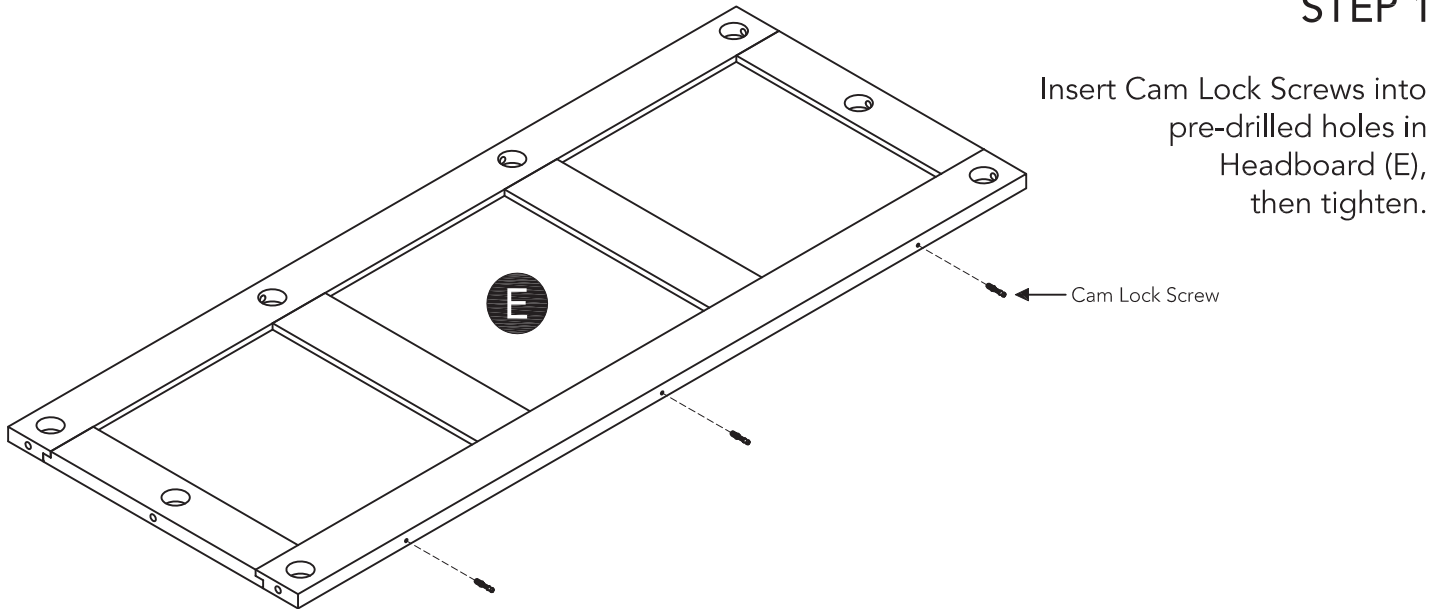
Home Styles Customer Service: www.homestyles-furniture.com,
servicedesk@homestyles-furniture.com, 888-680-7460, 877-831-0319

Assembly Instructions 2/5

IMPORTANT

- Use a soft cloth between these parts and the floor.
- Do not use power tools above 8 volts to assemble.
- Do not tighten all the bolts until each part is properly assembled.
- Keep Wrench and Hex Wrench as the Nuts and Head Cap Bolts may need to be tightened in the future.

STEP 1



STEP 2

Attach Corner Plates to Stretcher (F) with 5/8" Flat Head Screws.

Attach Stretcher (F) to Headboard (E) with Cam Locks.
(See Figure 1)

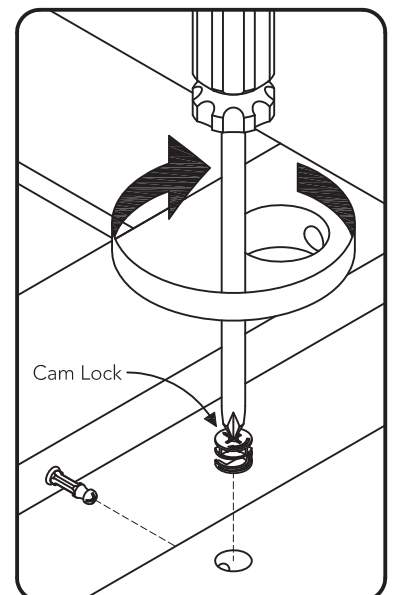


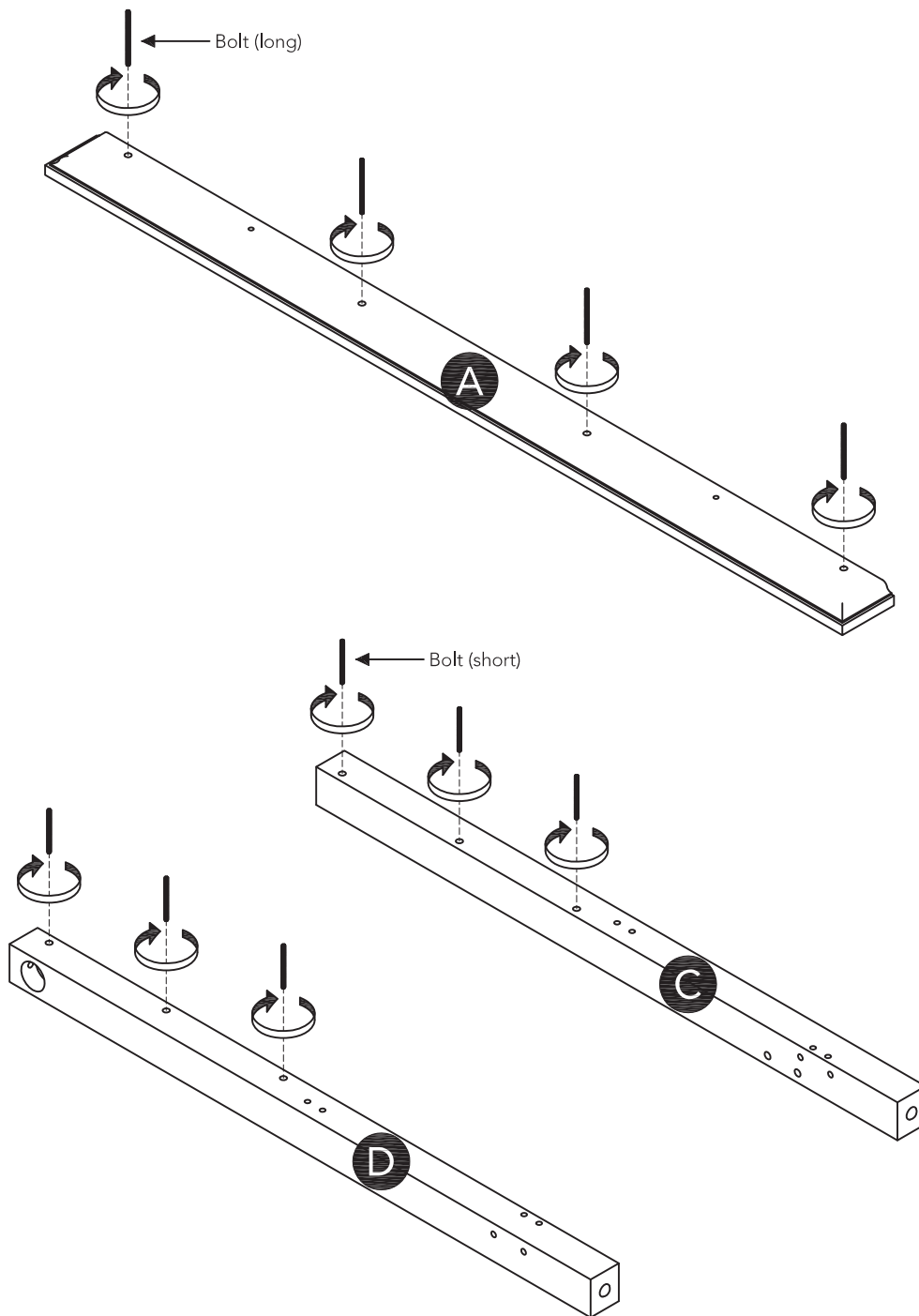
Figure 1

Assembly Instructions 3/5

STEP 3

Insert Bolts (long) into pre-drilled holes in Crown (A).

Insert Bolts (short) into pre-drilled holes in Posts (C) and (D), then tighten.



Assembly Instructions 4/5

STEP 4

Attach Corner Plates to Posts (C) and (D) with Flat Washers, Spring Washers and Head Cap Bolts.

Attach Posts (C) and (D) to unit with Square Washers, Nuts, Flat Washers, Spring Washers and Head Cap Bolts.

Tighten Nuts with Wrench. (See Figure 2)

Tighten Head Cap Bolts with Hex Wrench. (See Figure 2)

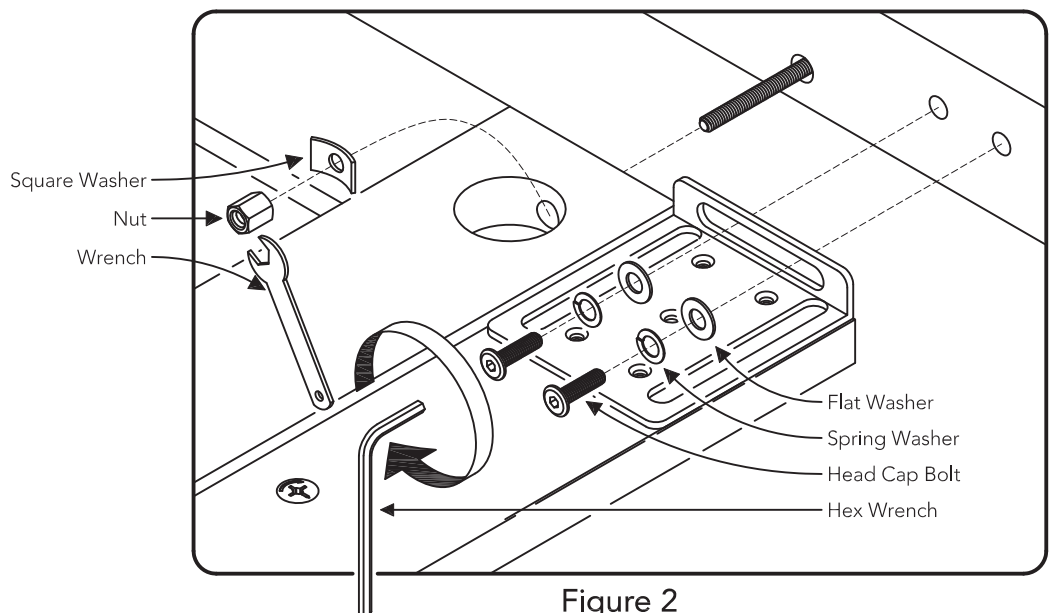
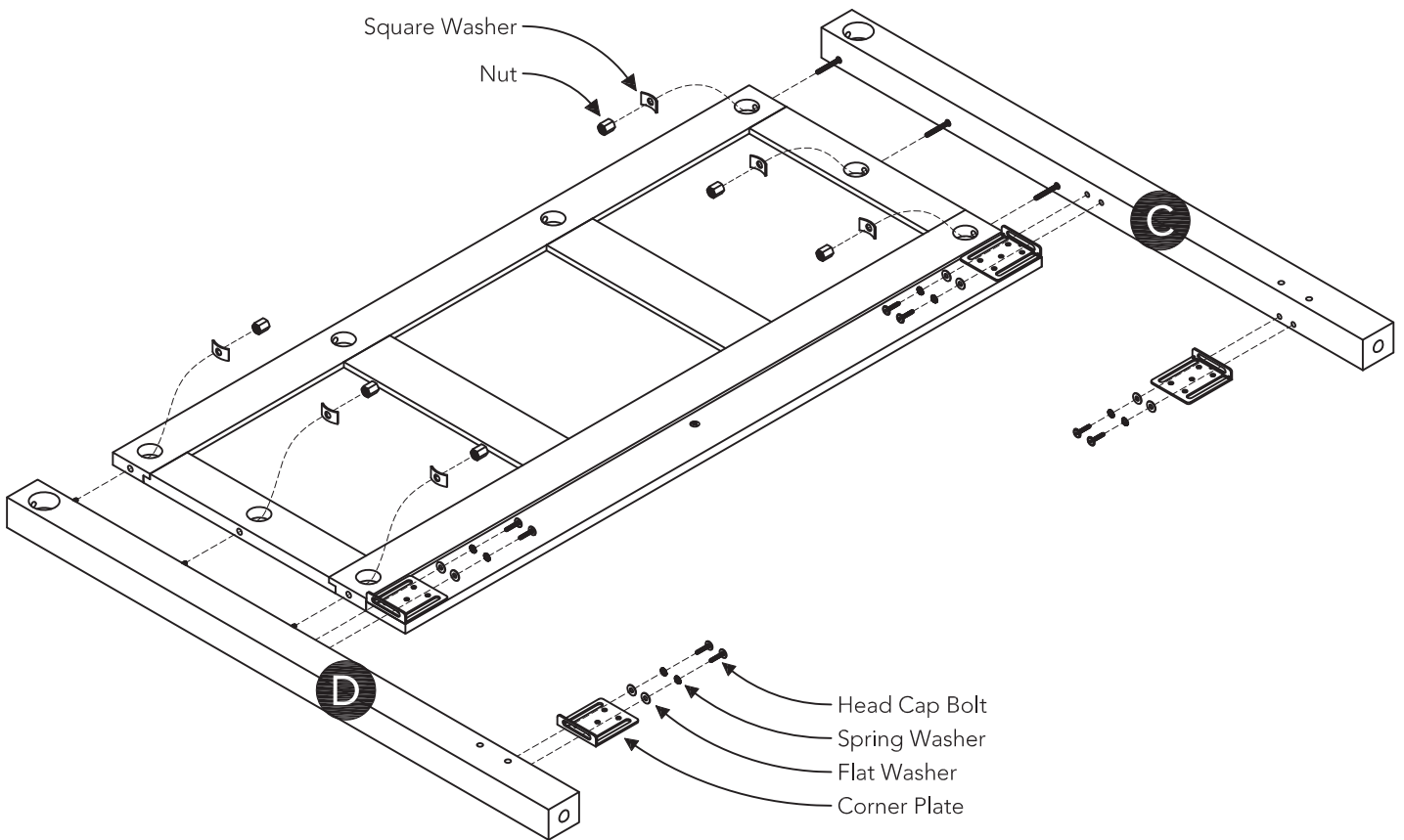


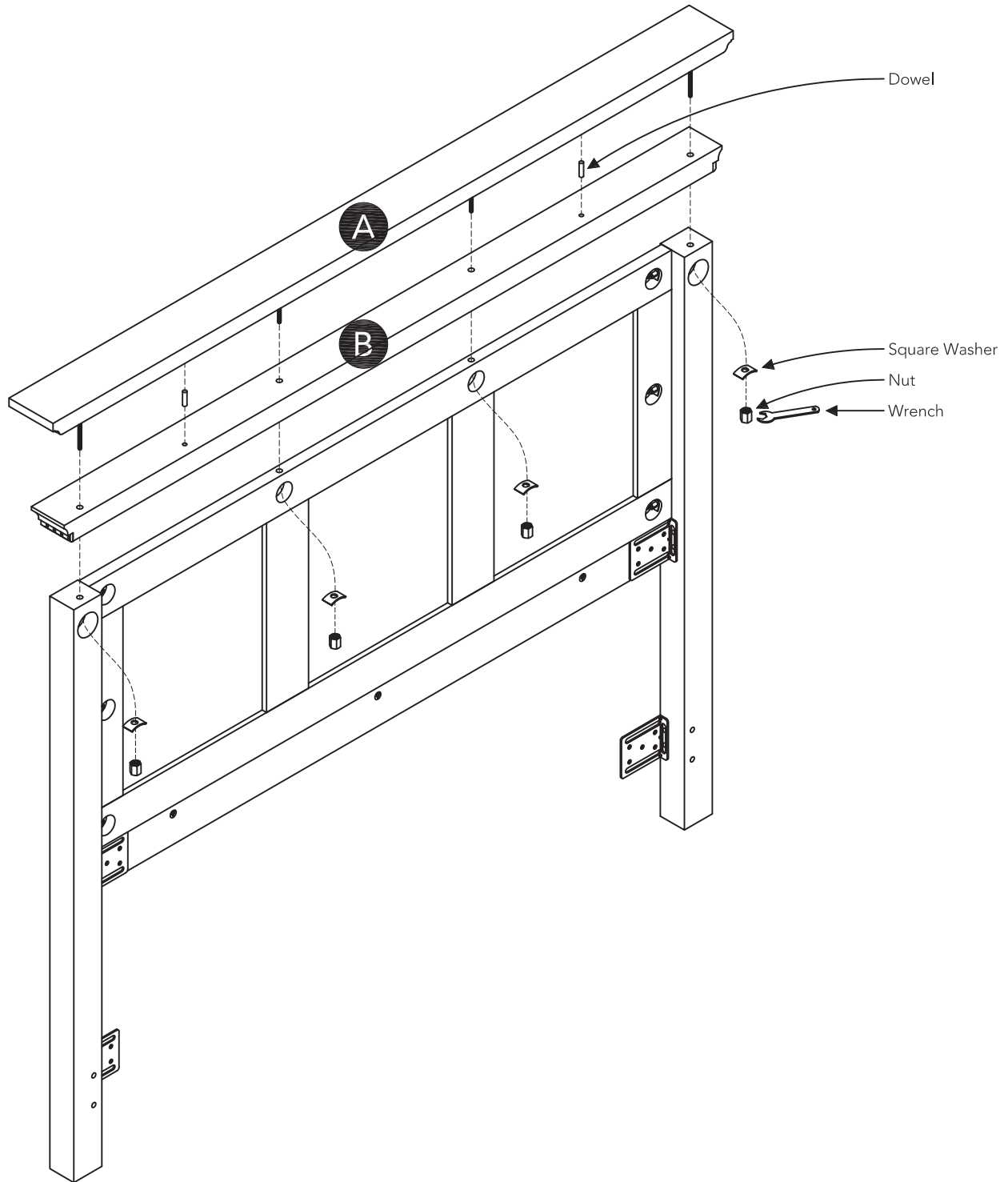
Figure 2

Assembly Instructions 5/5

STEP 5

Attach Crowns (A) and (B) to unit with Dowels, Square Washers and Nuts.

Tighten Nuts with Wrench.



CARE INSTRUCTIONS

NEVER

allow liquids to remain on furniture.
Absorption causes parts to warp
and split and finishes to delaminate.

NEVER

use glass cleaners on
finished furniture. Ammonia
chemically attacks the finish.



Do not use power tools
above 8 volts to assemble.

**PREVENT
CRACKING**



Do not place
in direct sunlight.

**PREVENT
FADING**



Do not write
directly on surface.

**PREVENT
MARKING**



Do not place hot
objects on surface.

**PREVENT
FINISH DAMAGE**



Do not use rubber
based placemats.

**PREVENT
DISCOLORING**



Do not use commercial
waxes and polishes.

**PREVENT
YELLOWING**

CLEAN

with a soft cloth moistened
in lukewarm soap and water.
Buff with a dry clean cloth.



Home Styles will provide replacements free of charge for missing or damaged hardware or parts within 30 days of purchase. Digital images of the defective parts may be required. If the product was not purchased from an authorized retail affiliate, Home Styles is under no obligation to provide replacement parts. Parts are not available for fully assembled items nor are parts available for sale. Replacements for missing or damaged hardware or parts may be requested at:

www.homestyles-furniture.com/customer-service/replacement-parts

Home Styles Customer Service: www.homestyles-furniture.com,
servicedesk@homestyles-furniture.com, 888-680-7460, 877-831-0319