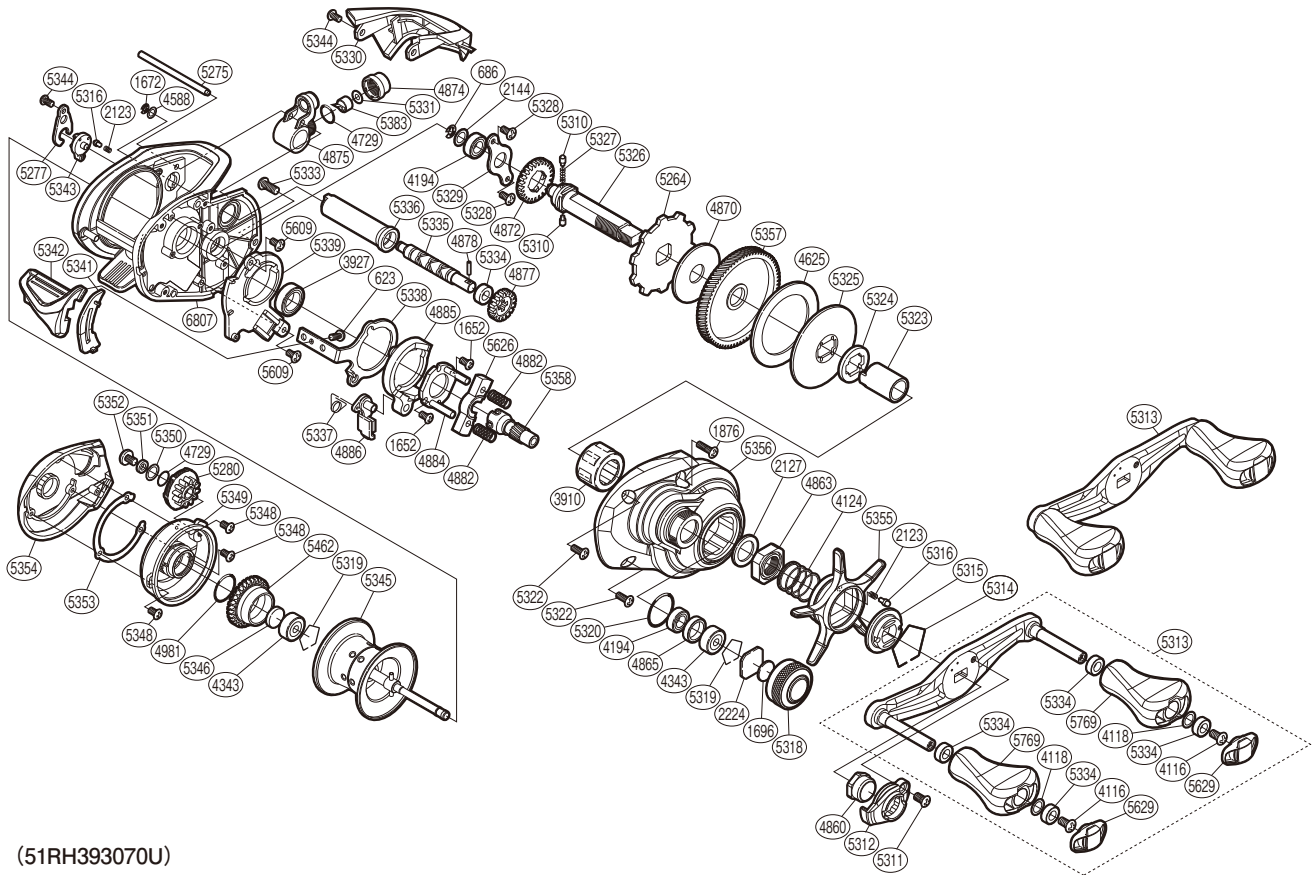


SHIMANO

CURADO

CU-70XG



(51RH393070U)

#	Part No.	Description	#	Part No.	Description	#	Part No.	Description
623	103C0	Screw	4885	10K0N	Clutch Cam	5337	10R1H	Clutch Pawl Spring
686	105NK	E Lock	4886	10MME	Clutch Pawl	5338	10QZV	Clutch Plate
1652	10LVE	Screw	4981	10LA8	O Ring	5339	10R09	Clutch Guard
1672	105NC	E Lock	5264	10D73	Anti-Reverse Ratchet	5341	10QZU	Clutch Bar Guide
1696	10896	Cast Control Spacer	5275	10QSH	Stabilizer Bar	5342	10R1J	Clutch Bar
1876	10LCV	Screw	5277	10BGR	Cam Lever Retainer	5343	1019B	Side Plate Cam Lever
2123	10BT2	Click Spring	5280	10B1X	Brake Dial	5344	10MPD	Screw
2127	10J1N	Star Drag Spacer	5310	10HJG	Idle Gear Pin	5345	10DP2	Spool Assembly
2144	10C47	Washer	5311	10LFC	Screw	5346	10EX5	Spacer B
2224	1085F	Spool Tension Spacer	5312	10Q5T	Handle Nut Plate	5348	10L1Q	Screw
3910	10F5D	Roller Clutch Bearing	5313	10DPC	Handle Assembly	5349	10DLQ	Brake Case
3927	10EX8	Ball Bearing	5314	10KXW	Click Plate Retainer	5350	10GFC	Washer
4116	103E9	Screw	5315	10R3K	Star Drag Click Plate	5351	10R3V	Br Dial Spacer
4118	10HTT	Washer	5316	10MFC	Click Pin	5352	10R1S	Screw
4124	10A70	Star Drag Spring	5318	10QZZ	Cast Control Cap	5353	10R0U	Washer
4194	105BP	Ball Bearing	5319	1054D	Bearing Retainer	5354	10R0L	Left Side Plate
4343	105C3	Ball Bearing	5320	10R22	O Ring	5355	10R0K	Star Drag
4588	10FJZ	Washer	5322	10LCG	Screw	5356	10DP8	Right Side Plate
4625	106XT	Drag Washer	5323	10R05	Roller Clutch Inner Tube	5357	10R0D	Drive Gear
4729	108WQ	O Ring	5324	10HJH	Key Washer Spacer	5358	10R13	Pinion Gear
4860	10FFB	Handle Nut	5325	10R0F	Key Washer	5383	10BHQ	Line Guide Pawl
4863	10A3T	Star Drag Nut	5326	10R0A	Drive Shaft	5462	101Z6	Brake Ring Gear
4865	10EYS	Bearing Spacer	5327	10JDY	Idle Gear Spring	5609	10LCT	Screw
4870	10CHF	Drag Washer	5328	10LCQ	Screw	5626	10TMB	Yoke
4872	10J47	Idle Gear	5329	109T1	Drive Shaft Retainer	5629	10FMJ	Handle Knob Seal
4874	10FJB	Pawl Cap	5330	10R12	Level Wind Protector	5769	1025N	Handle Knob Assembly
4875	10NVQ	Line Guide	5331	104TX	Spacer	6807	10S2Z	Frame
4877	10FNV	Idle Gear	5333	10LFC	Screw			
4878	10AEZ	Worm Shaft Pin	5334	10PXZ	Bushing			
4882	10487	Yoke Spring	5335	10TPP	Worm Shaft			
4884	10F3X	Clutch Cam Retainer	5336	10R10	Level Wind Guard			

Please note that the number of adjusting washers may not be the same as shown in the exploded views.
(Adjustment will vary with each individual product.)