

FLEXSTEEL®

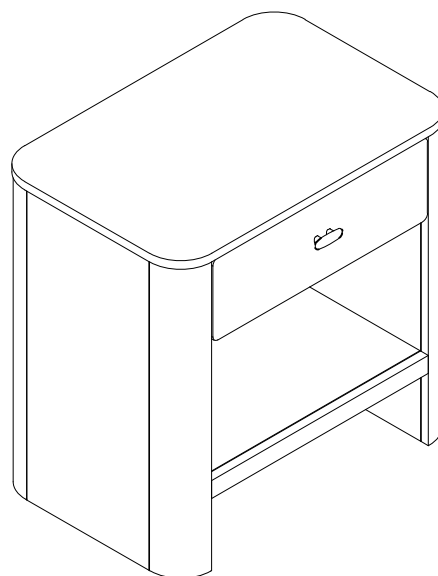
W1062-864

Nightstand One Drawer

IMPORTANT NOTES

Carefully remove all the parts from the carton and put them individually on a soft cloth to prevent damage to the parts.

We have taken great care in the design of this product and request that you carefully and accurately follow our assembly instructions to ensure proper set-up. We recommend at least two adults assemble this product.



Hardware List

Assembly Instruction 1/2



Not included
Phillips Screwdriver
PH2 x 100mm

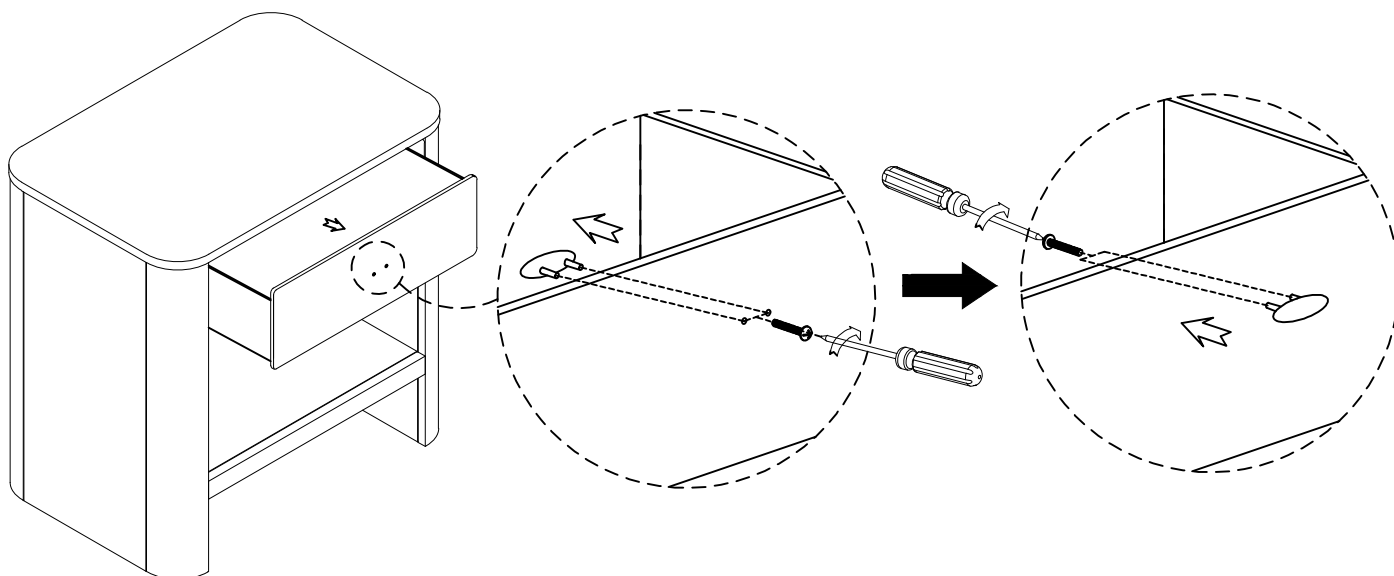
IMPORTANT NOTES

- Do not tighten up all the screws until each part is properly assembled.
- Use a soft cloth between these parts and the floor.
- We recommend this product be assembled by at least two adults.

STEP 1

Pull out each drawer. Remove the handles pulls from the inside of the drawer by removing the screws from the front of the drawer with a Phillips Screwdriver (Not included). Attach the handles pulls to the front of the drawer with the screws previously removed. Ensure the drawer pulls are leveled and tightened. (See Figure 1).

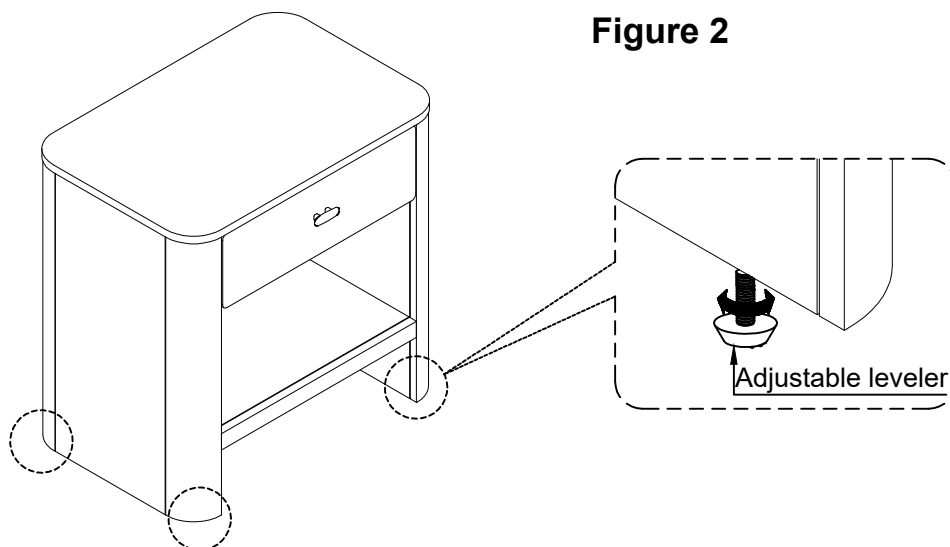
Figure 1



STEP 2

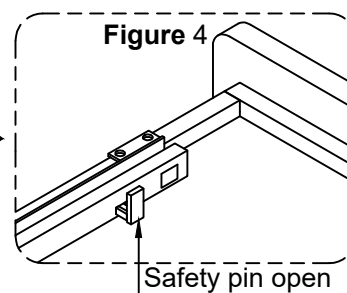
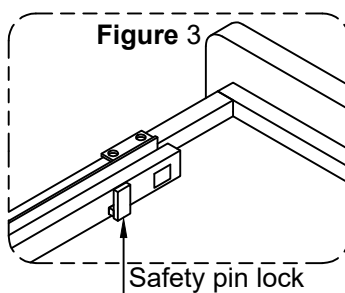
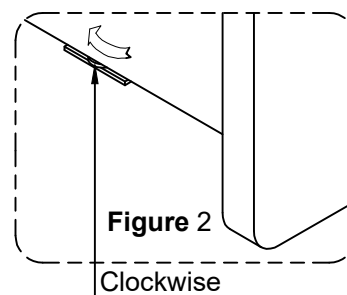
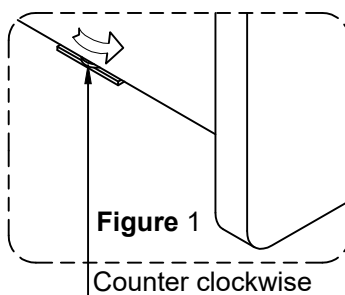
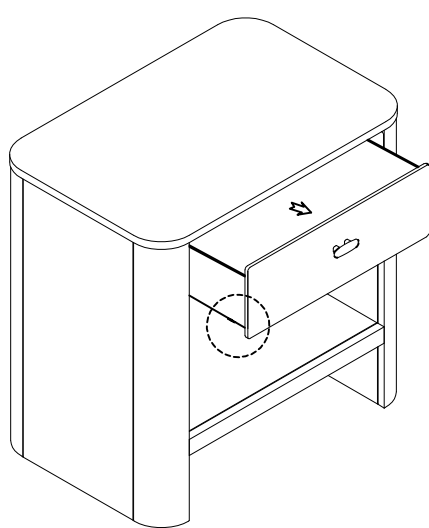
Adjust the levelers under the base until the furniture is leveled. (See Figure 2).

Figure 2



Drawer Adjustment and Removal

1. If you need to adjust drawer up, please the adjust circle counter clockwise see figure 1
2. If you need to adjustable drawer down, please the adjust circle clockwise see figure 2
3. If you need to remove the drawer, please make sure keep the safety pin open then lift the drawer out see figure 4



CARE INSTRUCTIONS

- To avoid scratches, do not place sharp or jagged objects directly on the top.
- Do not place hot items directly on the top.
- Use placemats or trivets under hot items and coasters under beverages to prevent marks and stains.
- Avoid the use of harsh chemicals or abrasive cleaning materials.
- Wipe the table clean with a soft, dry cloth after each use.
- Wipe up spills quickly with a soft, dry cloth.

Flexsteel Industries, Inc.

For Parts or Customer Service call
toll-free:

1-888-415-3979

Monday-Friday

8:00 a.m. -5:00 p.m.

(Central Time)

Email:

customersolutions@flexsteel.com