

SINCE 1839

BRINLY

SINCE 1839

BRINLY

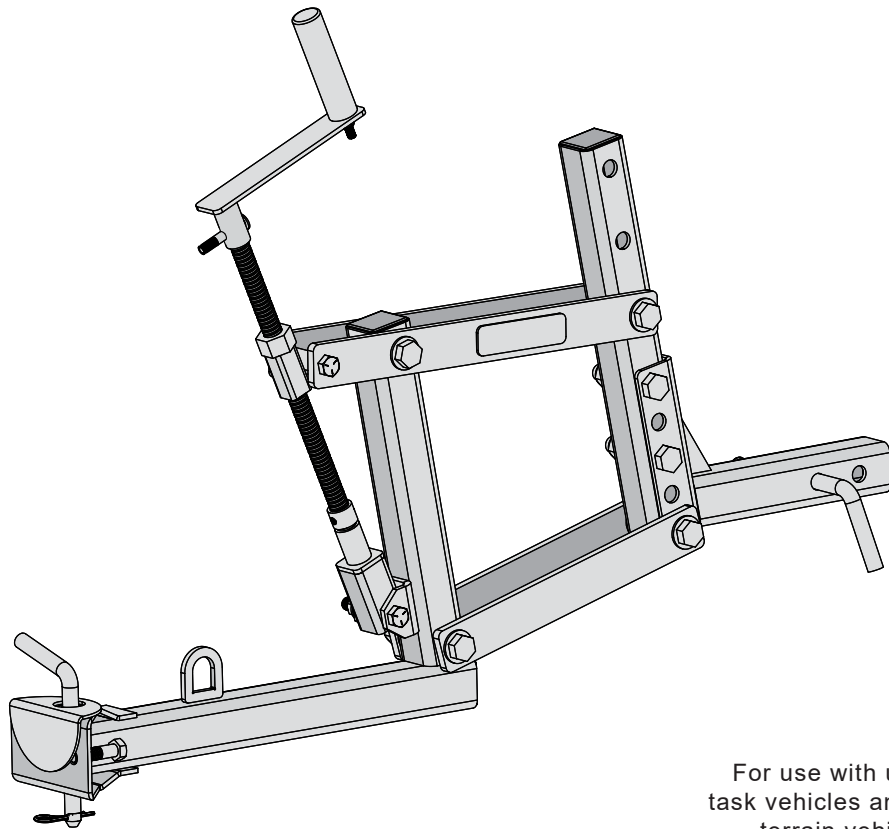
OWNER'S MANUAL

ONE POINT LIFT SYSTEM

MODEL:

OPL-BH

- Assembly
- Installation
- Operation
- Repair Parts



For use with utility
task vehicles and all
terrain vehicles.

Call Customer Service, Toll-Free: 877-728-8224

Visit us on the web!
www.brinly.com

Important: This manual contains information for the safety of persons and property. Read it carefully before assembly and operation of the equipment!

INTRODUCTION

CONGRATULATIONS on your new Brinly-Hardy purchase! This accessory has been designed, engineered and manufactured to give you the best possible dependability and performance.

Should you experience any problem you cannot easily remedy, please do not hesitate to contact our knowledgeable customer service department toll-free at 1-877-728-8224. We have competent, well trained technicians to help you with the assembly and use of your product.



CUSTOMER RESPONSIBILITIES

- Please read & retain this manual. The instructions will enable to assemble and maintain your product properly.
- Please carefully read and observe the SAFETY SECTION of this manual.
- Follow a regular schedule in maintaining and caring for your Brinly-Hardy product.

TABLE OF CONTENTS

SAFETY 2-4
PARTS 5-6
ASSEMBLY 7-13

USE AND CARE

- Specifications 14
- Installing 15
- Removing 15
- Operation 16
- Maintenance 16
- Accessories 17

WARRANTY 18

RECORD PURCHASE INFORMATION

Record your purchase information in the spaces provided below:

DATE OF
PURCHASE _____

COMPANY
NAME _____

SERIAL
NUMBER _____

CO. PHONE _____

REQUIRED TOOLS FOR ASSEMBLY



- Adjustable Wrench
- 3/4" Wrench / Socket
- 1/2" Wrench / Socket
- 15/16" Wrench / Socket
- Tape Measure
- Gloves



This symbol will help to point out important safety precautions throughout this manual. It means:
ATTENTION! BECOME ALERT! Your safety is involved.

The safety labels shown in this section are placed in important areas on your product to draw attention to potential safety hazards.

On your product safety labels, the words **DANGER**, **WARNING** and **CAUTION** are used with the safety-alert symbol. **DANGER** identifies the most serious hazards.

The operator's manual also explains any potential safety hazards whenever necessary in special safety messages that are identified with the word, **CAUTION**, and the safety-alert symbol.



ATTENTION: PREVENT DAMAGE:
Do not use product without ratchet straps securing the product to the bed or cage of the vehicle.

SAFETY

GENERAL NOTES (Operation)

Caution should be taken when towing and/or using any attachment. This attachment combined with the weight distribution, turning radius, and speed of towing vehicle can result in severe injury or death to operator, damage to towing vehicle, and/or attachment if not used properly. Follow all towing safety precautions noted in the towing vehicle owner's manual, including the following precautions:



- Ensure the combined weight of the towing vehicle (tow vehicle weight + operator weight) is greater than the maximum towed weight of attachment (empty attachment weight + weight of load).
- Do not exceed maximum towing capacity of towing vehicle.
- Do not exceed maximum tongue weight of the vehicle.
- Do not use product without ratchet straps connecting product and ATV/UTV.
- Before each use the lead screw should be prepared with a coat of light machine oil.
- Minimum recommended towing capacity of the ATV/UTV to use the lift with is 1500 lbs.
- Do not exceed the maximum drawbar pull rating of the towing vehicle. Drawbar pull is the horizontal force required to pull the attachment (including weight of load).
- When an attached product is engaged with the ground, do not exceed 5 mph. Do not exceed the speed called out by either attached vehicle or product's manual.
- Towing speed should always be slow enough to maintain control. Travel slowly and use caution when traveling over rough terrain. Avoid holes, rocks and roots.
- Slow down before you turn and do not turn sharply.
- Use wide turning angles to ensure the attachment follows the path of the towing vehicle.
- Do not use attachment on steep slopes. A heavy load could cause loss of control or overturn attachment and towing vehicle. Additional weights may need to be added to your vehicle; check with towing vehicle manufacturer for recommendations.
- Reduce towed weight when operating on slopes.
- Keep all movement on slopes slow and gradual. Do not make sudden changes in speed, directions, or turning.
- If you start and stop suddenly on hills, you may lose steering control or the towing vehicle may tip.
- Do not start or stop suddenly when going uphill or downhill. Avoid uphill starts.
- Slow down and use extra care on hillsides. Turf conditions can affect vehicle stability. Use extreme caution while operating near drop-offs.
- Do not drive close to creeks, ditches and public highways.
- Watch out for traffic when crossing near roadways.
- Use care when loading or unloading the vehicle into a trailer or truck.
- The attachment can obstruct the view to the rear. Use extra care when operating in reverse.
- When reversing, carefully back-up straight to avoid jackknifing. Do not allow towing vehicle wheels to contact attached product. Damage could result.
- Stop on level ground, disengage drives, set the parking brake, and shut off engine before leaving the operator's position for any reason including emptying the attachment.
- Use this attachment for intended purpose only.
- This attachment is intended for use in lawn care and home applications. Do not tow behind a vehicle on a highway or in any high speed applications.
- Do not tow at speeds higher than the maximum recommended towing speed of the vehicle or any attached product.
- Do not tow this product behind a motor vehicle such as a car or truck.
- Always wear substantial footwear. Do not wear loose fitting clothing that can get caught in moving parts.
- Keep your eyes and mind on your towing vehicle, attachment and area being covered. Do not let other interests distract you.
- Stay alert for holes and other hidden hazards in the terrain.
- Keep ratchet straps connecting the lift and attached vehicle tight when in transport mode. Straps can be slightly loosened once the attached product is engaged with the ground.
- Do not pick up unit from the inside four corners as it may cause injury.
- Keep the towing vehicle and attachment in good operating condition and keep safety devices in place.
- The towing vehicle and attachment should be stopped and inspected for damage after striking a foreign object. Any damage should be repaired before restarting and operating the equipment.
- Keep all parts in good condition and properly installed. Fix damaged parts immediately. Replace worn or broken parts. Replace all worn or damaged safety and instruction decals. Keep all nuts, bolts and screws tight.
- Do not modify the attachment or safety devices. Unauthorized modifications to the towing vehicle or attachment may impair its function, safety and void the warranty.
- Always follow the instructions of the attached product and vehicle's manual.

SAFETY

TOWING VEHICLE AND TOWING SAFELY

- Know your towing vehicle controls and how to stop safely. **READ YOUR TOWING VEHICLE OWNER'S MANUAL** before operating.
- Check the towing vehicle brake action before you operate. Adjust or service brakes as necessary.
- Stopping distance increases with speed and weight of towed load. Travel slowly and allow extra time and distance to stop.
- Use only approved hitches. Tow this attachment only with a towing vehicle that has a hitch designed for towing. Do not connect this attachment except at the approved hitch point.
- Follow the tow vehicle manufacture's recommendations for weight limits for towed equipment and towing on slopes. Use counterweights or wheel weights as described in the towing vehicle operator's manual.
- Do not shift to neutral and coast downhill.
- Do not allow children to operate the towing vehicle. Do not allow adults to operate the towing vehicle without proper instruction or without having read the owner's manual.

PROTECT THOSE AROUND YOU

- Before you operate any feature of this attachment or towing vehicle, observe your surroundings and look for bystanders.
- Keep children, bystanders and pets at a safe distance away while operating this or any attachment.
- Use care when reversing. Before you back up, look carefully behind for bystanders.

KEEP BODY PARTS FROM UNDER TOW BAR

Before disconnecting this machine from towing vehicle hitch plate:

- Stop on level ground.
- Stop towing vehicle engine
- Lock towing vehicle park brake.
- Block wheels of the machine.
- Make sure body parts are not under tow bar.

KEEP RIDERS OFF TOWED ATTACHMENT & TOWING VEHICLE

- Do not carry passengers.
- Do not let anyone, especially children, ride in/on this attachment, the towing vehicle or hitch bracket. Riders are subject to injury such as being struck by foreign object and / or being thrown off during sudden starts, stops and turns. Riders may also obstruct the operator's view resulting in this attachment being operated in an unsafe manner.

Installation Questions?
Missing Parts? Replacement Parts?

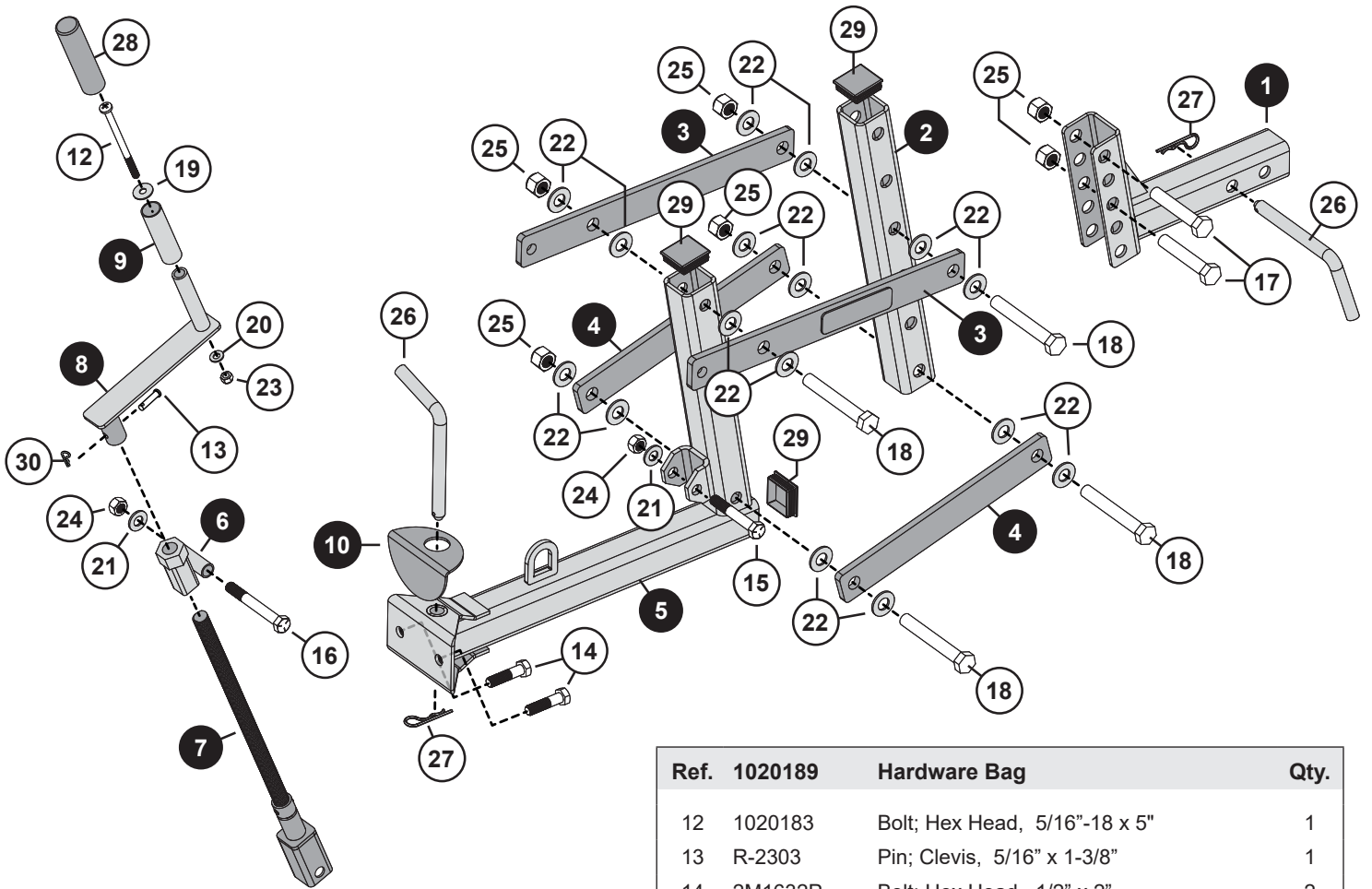
**DON'T GO BACK TO
THE STORE!**

Please call our Customer Service
Department, Toll Free: 877-728-8224
or customerservice@brinly.com



NOTES

PART EXPLOSION



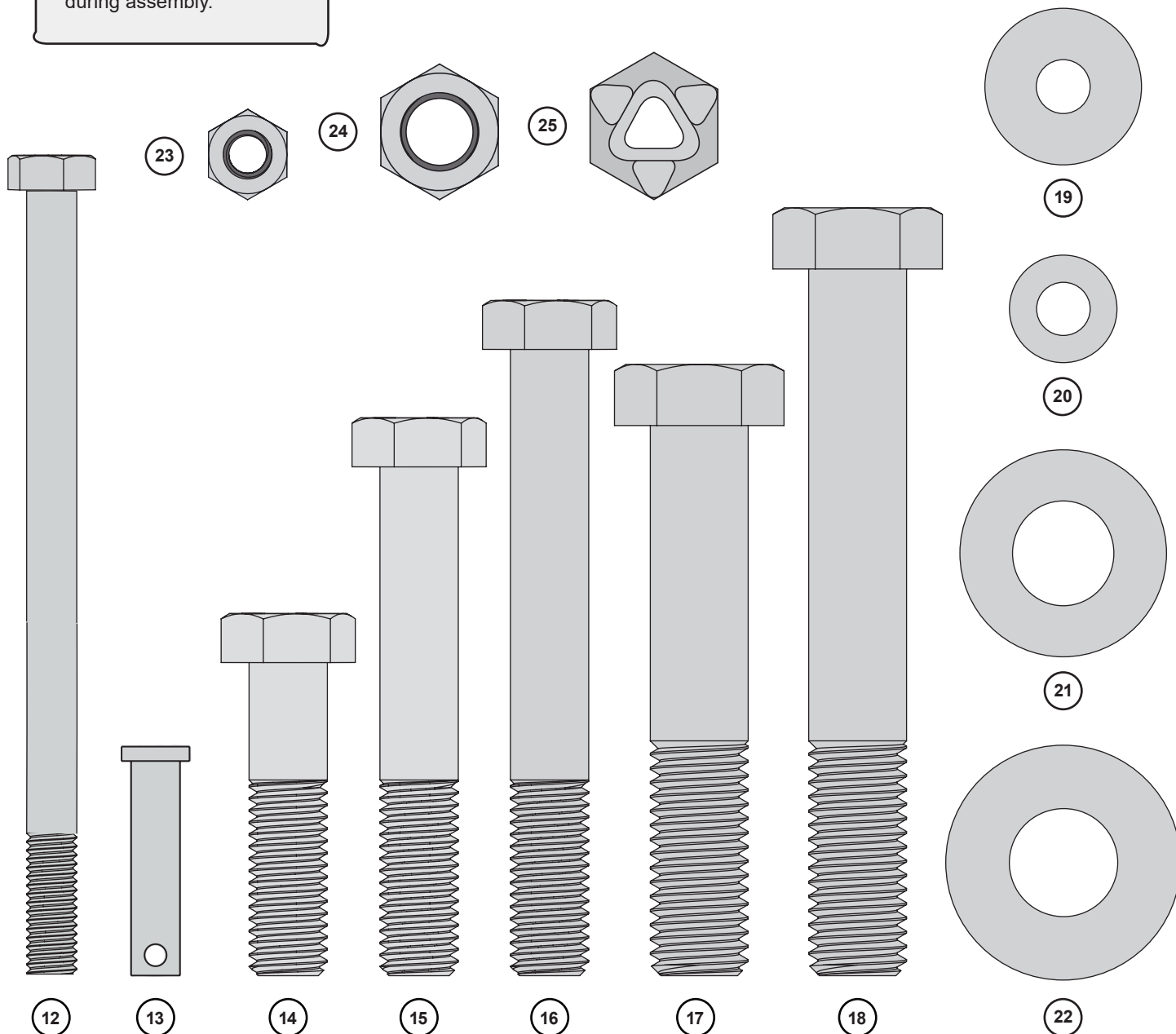
Ref.	Part No.	Description	Qty.
1	1020159-10	Hitch Weldment, Front	1
2	1020158-10	Height Adjustment Column	1
3	1020165-10	Pivot Arm, Upper	2
4	1020166-10	Pivot Arm, Lower	2
5	1020160-10	Hitch Weldment, Rear	1
6	1020169-10	Height Adjustment Brace	1
7	1020175	Height Adjustment Rod	1
8	1020178-10	Handle Weldment	1
9	1020181-10	Handle Inner Tube	1
10	H-158-10	Plate, Stabilizer	1

Ref.	1020189	Hardware Bag	Qty.
12	1020183	Bolt; Hex Head, 5/16"-18 x 5"	1
13	R-2303	Pin; Clevis, 5/16" x 1-3/8"	1
14	2M1632P	Bolt; Hex Head, 1/2" x 2"	2
15	1020323	Bolt; Hex Head, 1/2"-13 x 3-1/4"	1
16	2M1664P	Bolt; Hex Head, 1/2" x 4"	1
17	2M2056P	Bolt; Hex Head, 5/8"-11 x 3-1/2"	2
18	2M2072P	Bolt; Hex Head, 5/8" x 4-1/2"	4
19	1020330	Washer; Flat, Oversized 5/16" ID x 1" OD	1
20	45M1111P	Washer; Flat, 5/16"	1
21	45M1717P	Washer; Flat, 1/2"	2
22	45M2121P	Washer; Flat, 5/8"	16
23	B-4786	Nut; Nylon Lock, 5/16"-18	1
24	B-5096Y	Nut; Nylon Lock, 1/2"-13	2
25	B-1678P	Nut; Lock, 5/8"-11	6
26	1007748-01	Pin, Hitch-Plated	2
27	D-146P	Cotter Hairpin, 1/8" #211	2
28	1020226	Handle Grip; Red	1
29	1020286	Plug; Plastic Square, 2"	3
30	B-983	Cotter Hairpin, Small	1

HARDWARE IDENTIFIER

Illustrations on this page are to scale for faster identification of hardware during assembly.

DO NOT RETURN PRODUCT IF YOU ARE MISSING PARTS.
Please Call: 1 (877) 728-8224



Ref.	Part No.	Description	Qty.	Ref.	Part No.	Description	Qty.
12	1020183	Bolt; Hex Head, 5/16"-18 x 5"	1	19	1020330	Washer; Flat, 5/16" ID x 1" OD	1
13	R-2303	Pin; Cotter, 5/16" x 1-3/8"	1	20	45M1111P	Washer; Flat, 5/16"	1
14	2M1632P	Bolt; Hex Head, 1/2" x 2"	2	21	45M1717P	Washer; Flat, 1/2"	2
15	1020323	Bolt; Hex Head, 1/2"-13 x 3-1/4"	1	22	45M1212P	Washer; Flat, 5/8"	16
16	2M1664P	Bolt; Hex Head, 1/2" x 4"	1	23	B-4786	Nut; Nylon Lock, 5/16"-18	1
17	2M2056P	Bolt; Hex Head, 5/8"-11 x 3-1/2"	2	24	B-5096Y	Nut; Nylon Lock, 1/2"-13	2
18	2M2072P	Bolt; Hex Head, 5/8" x 4-1/2"	4	25	B-1678P	Nut; Hex Locking, 5/8"-11	6

ASSEMBLY

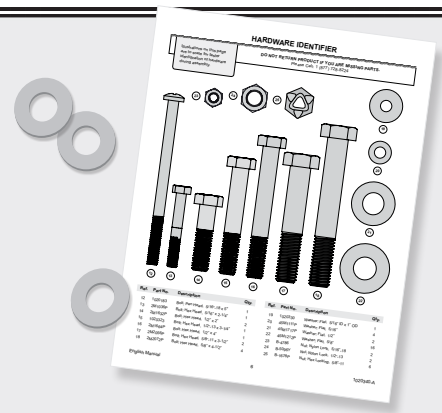
ASSEMBLY TIP: Illustrations on page 6 are to-scale.

For faster identification of the hardware during assembly, simply lay the hardware on top of these illustrations.



Additional info and videos are available on our website: brinly.com

This QR code links directly to the OPL-BH product page.



Step 1

Measure from the center of your UTV / ATV hitch receiver to the ground.

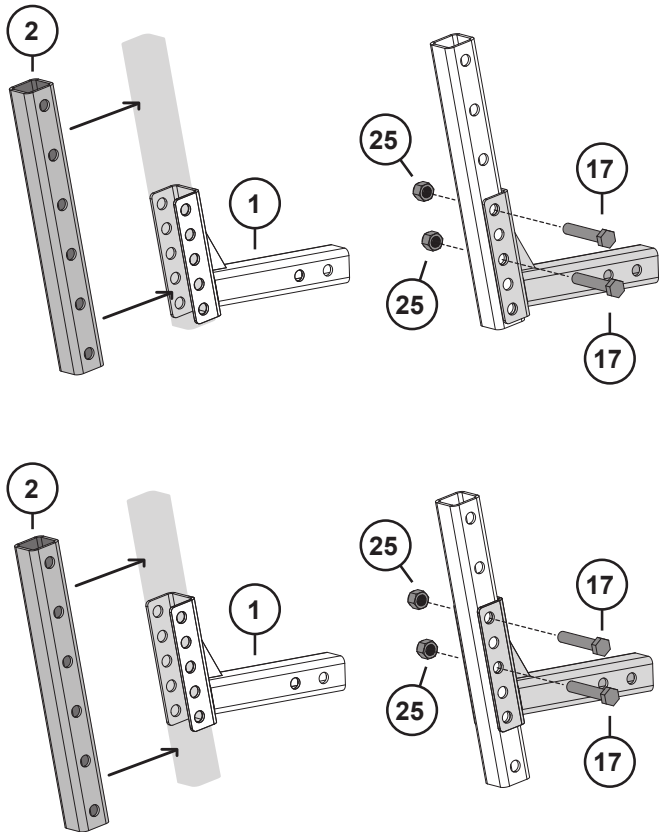


FOR 8"-12"

Align the Front Hitch Weldment (1) at the base of the Hitch Adjustment Column (2) as illustrated here.

FOR 12"-15"

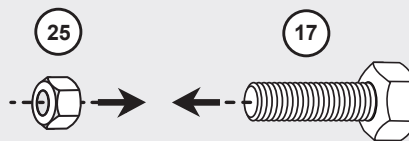
Align the Front Hitch Weldment (1) with the Hitch Adjustment Column (2) as illustrated here.



NOTE: This alignment / height setting can be adjusted later to best suit your UTV hitch height.

Secure these parts using:

- x2 Hex Bolts; 5/8" x 3-1/2" (17)
- x2 Nylon Lock Nuts; 5/8" (25)

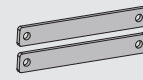
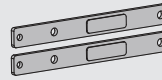


x2

ASSEMBLY

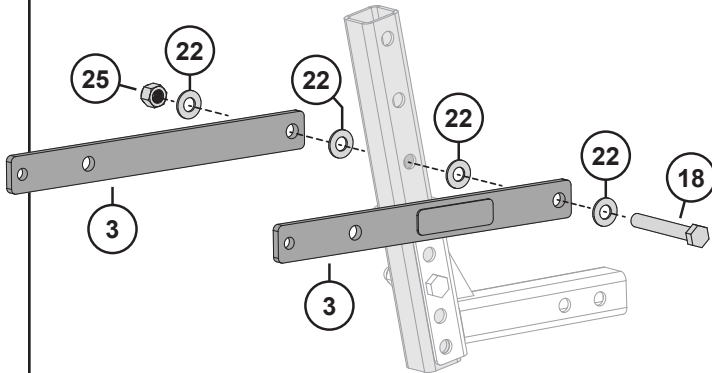
NOTE: There are four pivot arms added on this step.

The Upper Pivot Arms (3) have decals (and three openings).

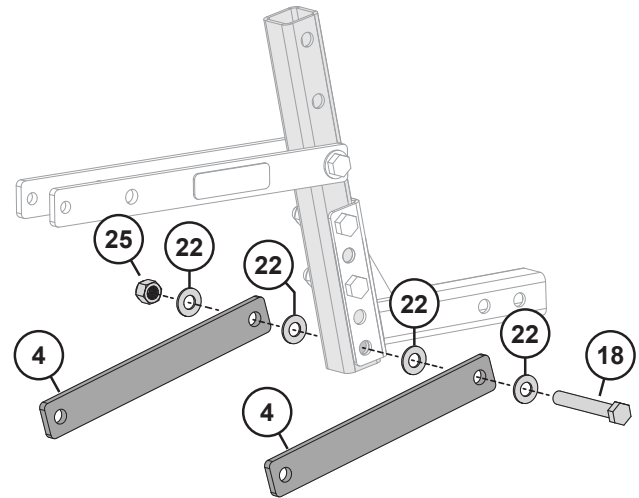


The Lower Pivot Arms (4) have only two openings.

Step 2



Aligning the two Upper Pivot Arms (3) as illustrated and with decals facing out, **LOOSELY** attach to the Hitch Adjustment Column (2) with hardware in the following order:

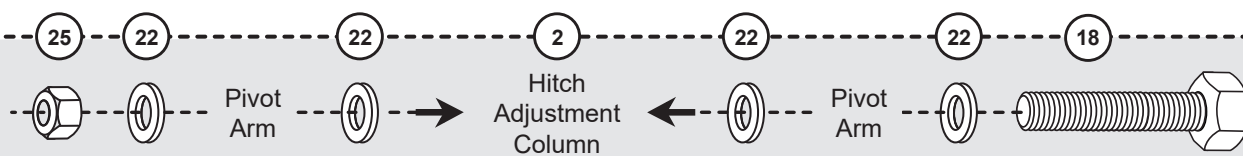


Aligning the Lower Pivot Arms (4), attach **LOOSELY** to the Hitch Adjustment Column (2) by adding hardware in the following order:

NOTE: Pivot Arms should be able to swivel with some stiffness.

- x1 Hex Bolt; 5/8" x 4-1/2" (18)
- x1 Flat Washer; 5/8" (22)
- 1st Pivot Arm** (decals facing out, if applicable)
- x1 Flat Washer; 5/8" (22)
- Hitch Adjustment Column (2)**
(and Front Hitch Weldment, if applicable)
- x1 Flat Washer; 5/8" (22)
- 2nd Pivot Arm** (decals facing out, if applicable)
- x1 Flat Washer; 5/8" (22)
- x1 Nylon Lock Nuts; 5/8" (25)

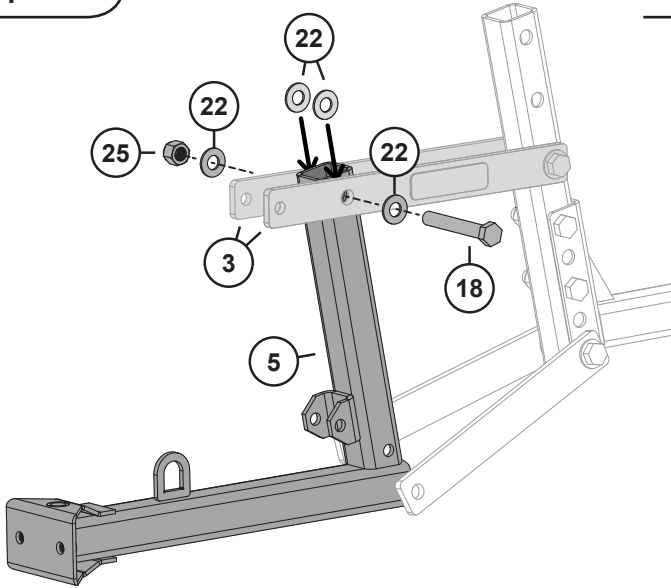
NOTE:
The long arm bar can be adjusted for a different height and angle setting based on the height of the UTV hitch height and the depth / lift needed for the intended attached ground engaging product.



x2

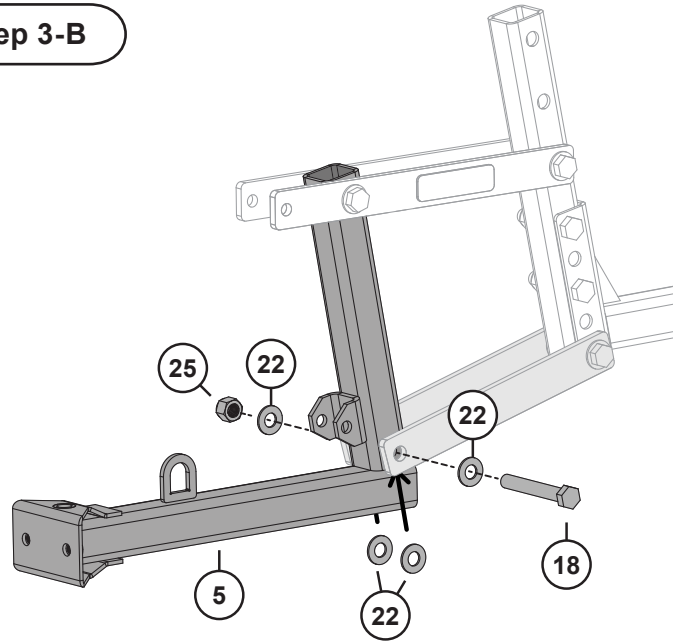
ASSEMBLY

Step 3-A



Slide the Rear Hitch Weldment (5) in place, between the two center holes of the upper Pivot Arms (3), as illustrated here. Attach **LOOSELY** with hardware in the following order:

Step 3-B

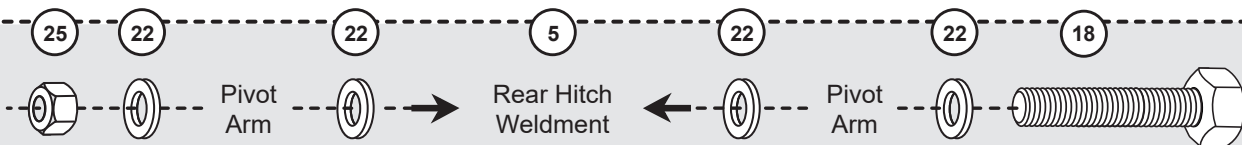


At the base of the Rear Hitch Weldment (5), slide the two lower Pivot Arms (4) in place, as illustrated here. Attach **LOOSELY** with hardware in the following order:

NOTE: Allow some movement.

- x1 Hex Bolt; 5/8" x 4-1/2" (18)
- x1 Flat Washer; 5/8" (22)
- 1st Pivot Arm**
- x1 Flat Washer; 5/8" (22)
- Rear Hitch Weldment (5)**
- x1 Flat Washer; 5/8" (22)
- 2nd Pivot Arm**
- x1 Flat Washer; 5/8" (22)
- x1 Nylon Lock Nut; 5/8" (25)

NOTE:
Pivot Arms should be able to swivel with some stiffness.



x2

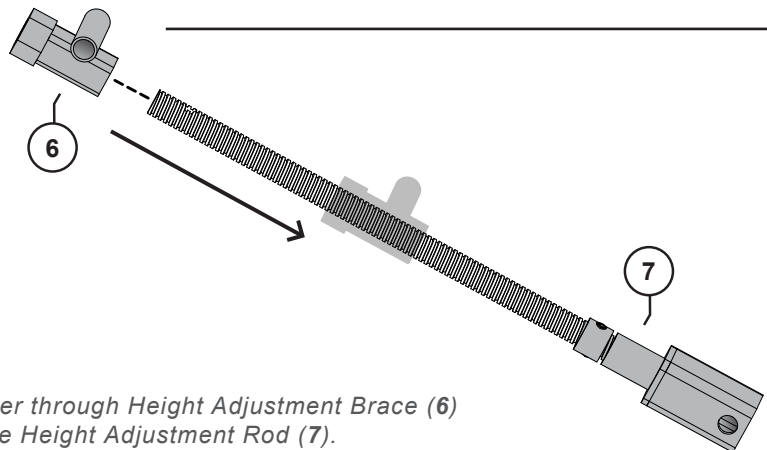
ASSEMBLY

Step 4

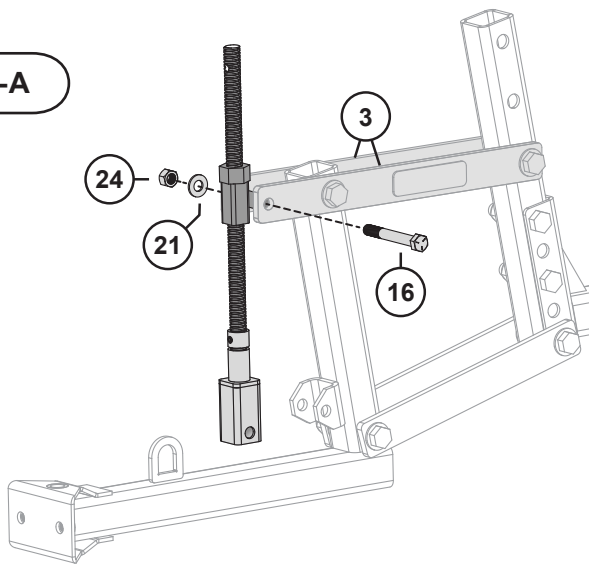
The Height Adjustment Brace (6) should be installed about halfway down the Height Adjustment Rod (7).



NOTE: If needed, slide a screwdriver through Height Adjustment Brace (6) to easily turn along the length of the Height Adjustment Rod (7).

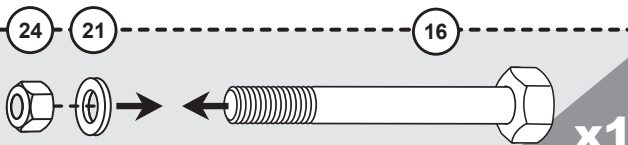


Step 5-A

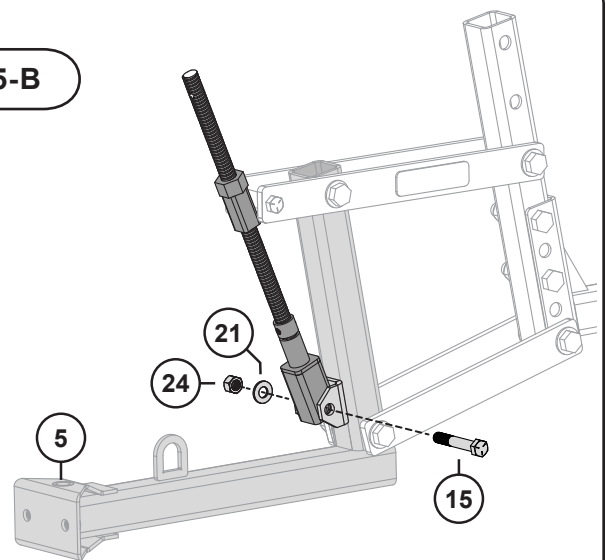


Slide the Height Adjustment Assembly (from step 4) between the upper pivot arm (3) ends, as illustrated. Attach (allowing movement) with the following hardware:

- x1 Hex Bolt; 1/2" x 4" (16)
- x1 Flat Washer; 1/2" (21)
- x1 Nylon Lock Nut; 1/2" (24)

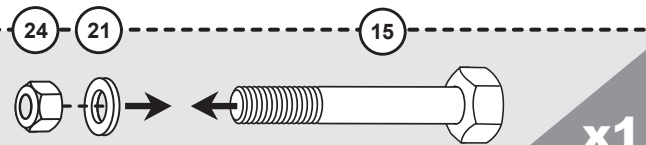


Step 5-B



Rotate the base of the Height Adjustment Assembly between the Rear Hitch Weldment (5) tabs, as illustrated. Attach with the following hardware:

- x1 Hex Bolt; 1/2" x 3-1/4" (15)
- x1 Flat Washer; 1/2" (21)
- x1 Nylon Lock Nut; 1/2" (24)

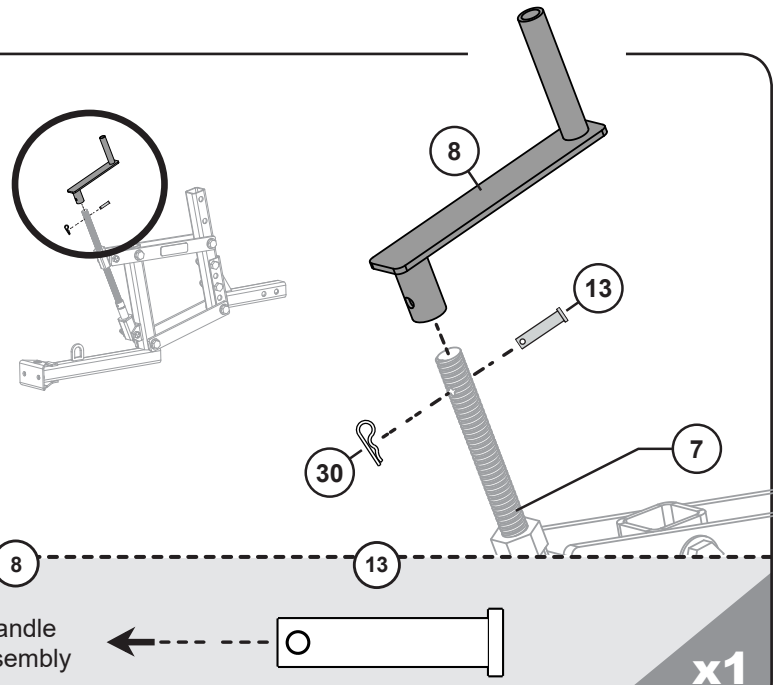


ASSEMBLY

Step 6

Slide the Handle (8) on the end of the Height Adjustment Rod (7), making sure to align the holes of each. Attach using the following hardware in order:

- x1 Pin; Clevis 5/16" x 1-3/8" (13)
- x1 Cotter Hairpin, Small (30)



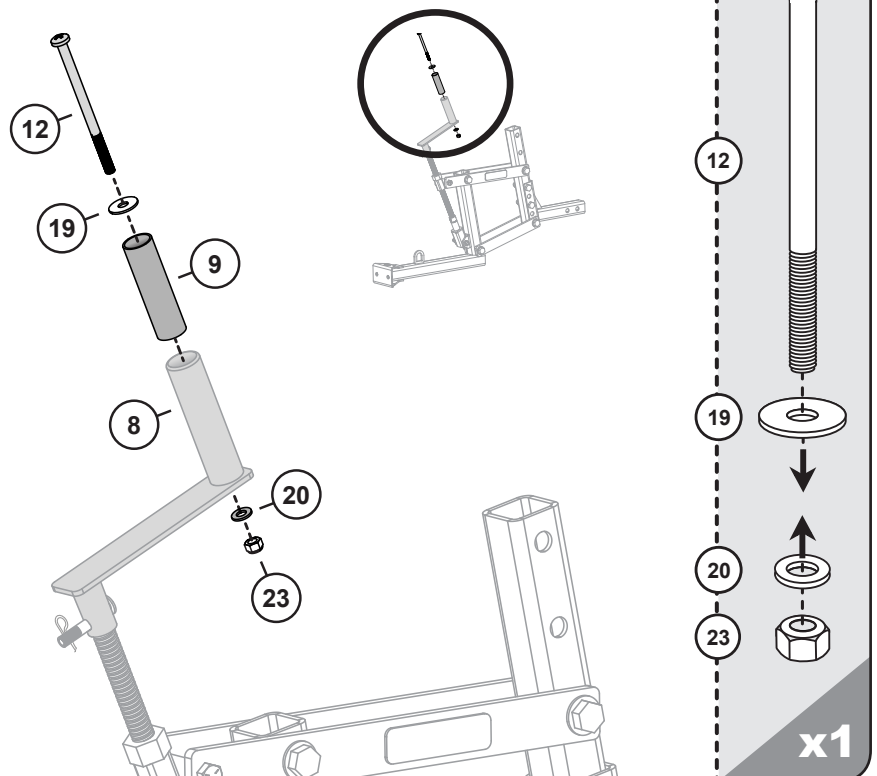
NOTE: At this point you can test to make sure that the unit can change height / angle by using the newly installed handle. If it cannot then slowly check and loosen the screws from Steps 5, 3, and 2.

Step 7-A

Slide the Handle Inner Tube (9) on the end of the Handle Assembly (8).

Next, add an Oversized Flat Washer 5/16" (19) on the 5/16" x 5" Hex Bolt (12).

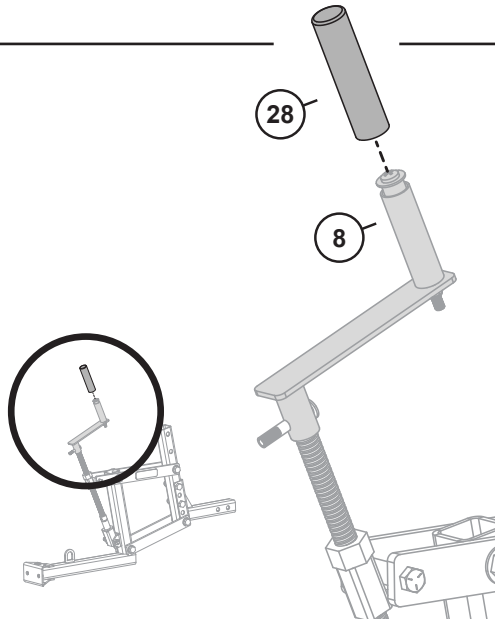
After sliding this bolt through the handle as illustrated, secure beneath the handle with a 5/16" Flat Washer (20) and 5/16" Nylon Lock Nut (23).



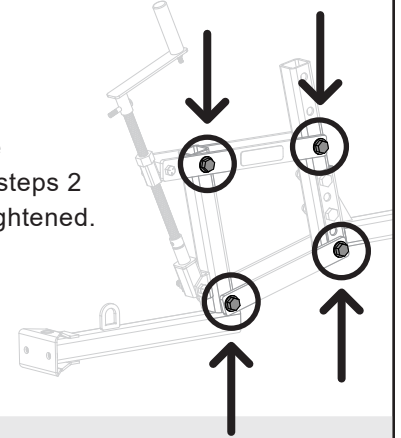
ASSEMBLY

Step 7-B

Add the Red Handle Grip (28), over the Handle Assembly (8) as illustrated.



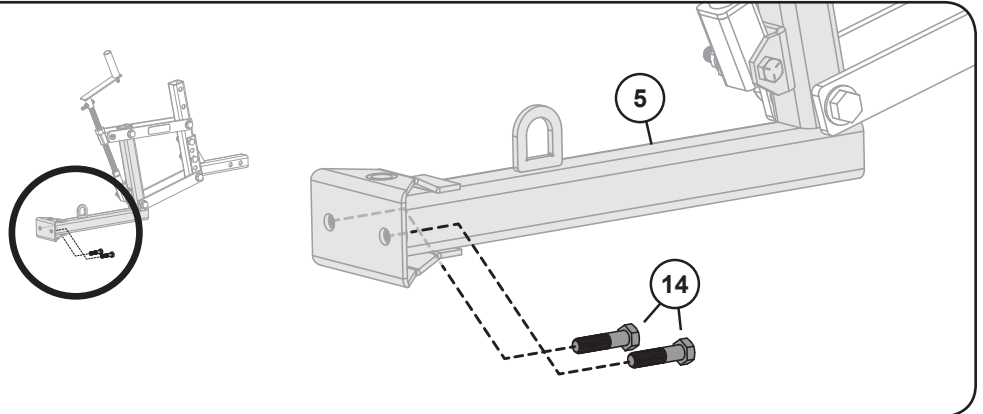
At this point the hardware from steps 2 and 3 can be tightened.



NOTE: Allow some movement with the turning of the handle.

Step 8-A

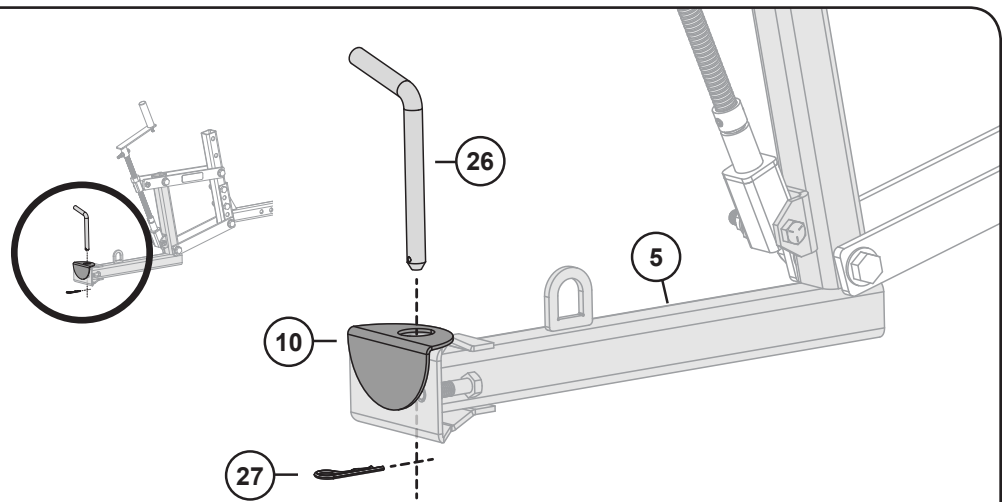
At the base of the Rear Hitch Weldment (5), thread the two 1/2" x 2" Hex Head Bolts (14).



Step 8-B

At the base of the Rear Hitch Weldment (5), place the Stabilizer Plate (10) as illustrated.

Run the Hitch Pin (26) through, secure from below with a Haripin Cotter (27).



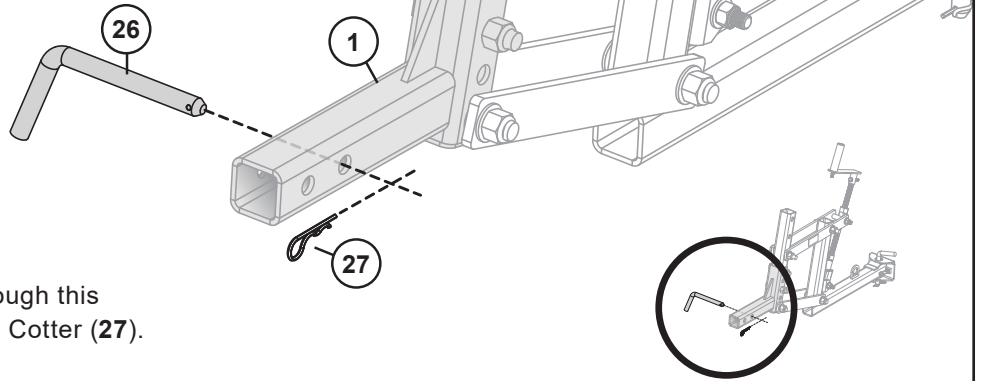
ASSEMBLY

Step 8-C



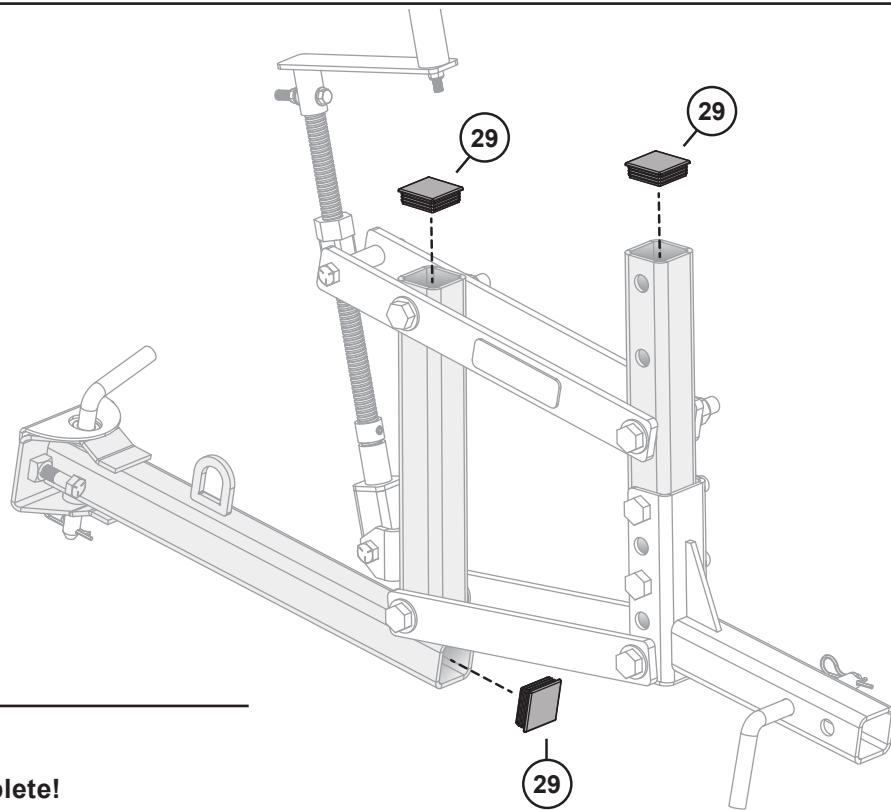
On the other end of the Hitch Assembly, find the 2nd hole at the end of the Front Hitch Weldment (1).

Run the second Hitch Pin (26) through this opening and secure with a Hairpin Cotter (27).



Step 8-D

Insert the three provided End Caps (29) as illustrated here.

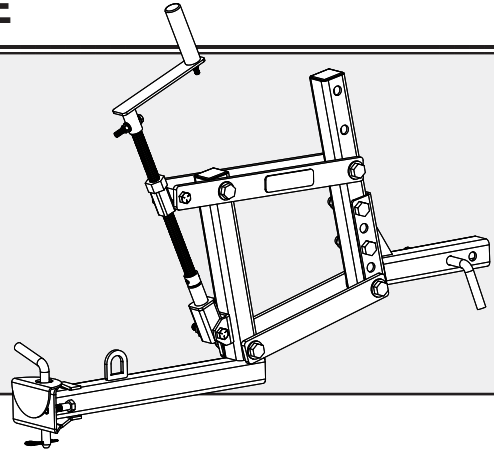


Assembly is Complete!

NOTE: Ratchet Straps are necessary.
Continue to the Use and Care
section for details on proper use.

USE AND CARE

ONE POINT LIFT SYSTEM (OPL-BH)



SPECIFICATIONS

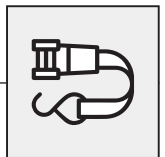
Maximum
Towing Speed 5 mph
Material 2" Square Tube
Steel Stock

COMPATIBILITY

- BS-381 - BS-381-A
- BS-42BH - BS-42BH-A
- BB-562 - BB-562-A
- CC-560 - CC-560-A
- DD-551 - DD-551-A
- PP-510 - PP-510-A

*For use with utility task vehicles
and all terrain vehicles.*

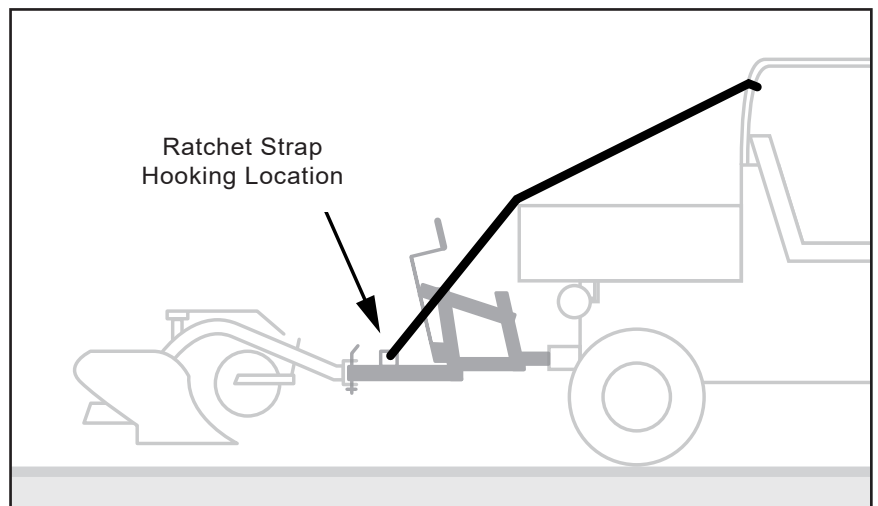
RATCHET STRAPS



For additional support and to prevent any damage, do not use product without ratchet straps securing the product to the bed or cage of the vehicle.

Keep ratchet straps connecting the lift and attached vehicle tight when in transport mode. Straps can be slightly loosened once the attached product is engaged with the ground.

- Minimum strap length 14'
- Minimum strap width 1"
- Hook type S or J
- Work load limit 500 pounds
- Break strength 1500 pounds

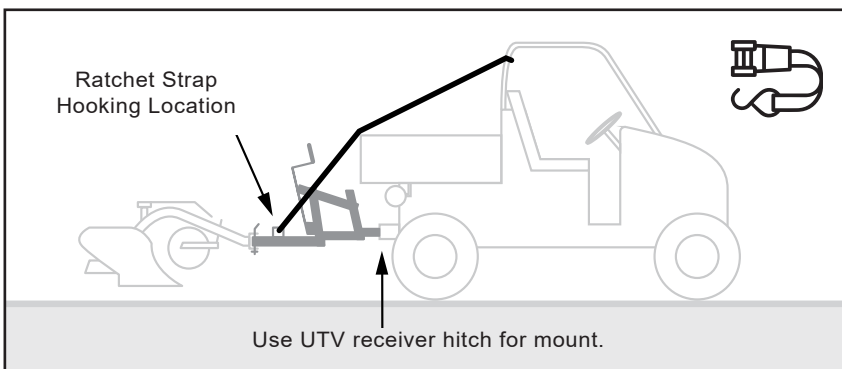
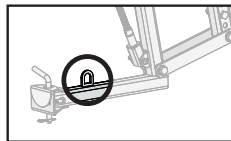
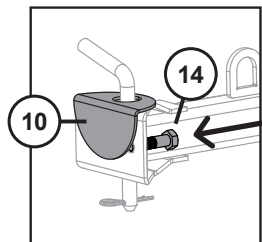
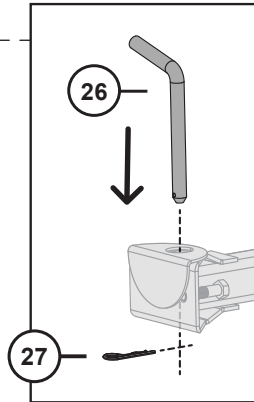


USE AND CARE

INSTALLING

NOTE: Do not install or remove product from UTV while ground engaging product is attached.

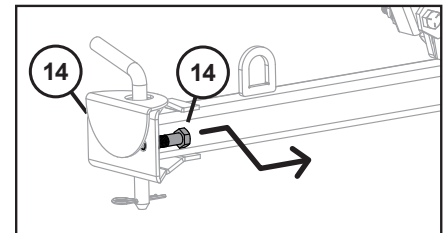
1. Park machine safely.
(See *Towing Machine manual*.)
2. Insert the lift into UTV receiver and pin to lock in place. Secure with a cotter pin.
3. To install ground engaging product lower the end of the lift to match the height of the receiving end of the ground engaging product's sleeve hitch point.
4. Secure with hitch pin (26) and cotter pin (27).
5. Using a 3/4" wrench, tighten the two bolts (14) by the sleeve hitch Stabilizing Plate (10).
NOTE: This will press against ground engaging product, preventing any swaying / movement.
6. Ratchet straps should attach from the cage or bed of UTV to the OPL-BH Hitch hooking location, indicated below.



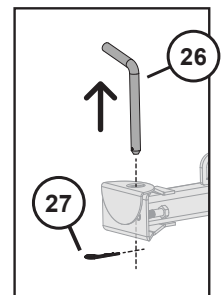
REMOVING

NOTE: Do not install or remove the product from your UTV while ground engaging product is attached.

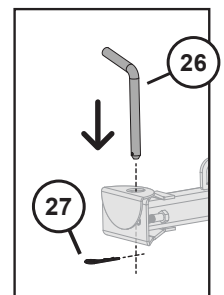
1. Park machine safely.
(See *Towing Machine manual*.)
2. Remove ratchet straps and loosen the two stabilizing bolts (14) at the base of the OPL-BH Hitch and attachment.



3. Remove the hairpin cotter (27) & hitch pin (26).
4. Remove attachment.



5. Re-install hitch pin (26) and the hairpin cotter (27) for storage.
6. Detach the OPL-BH from your towing machine.



USE AND CARE

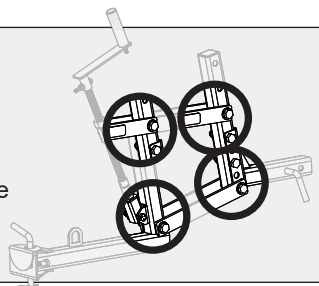
OPERATION



WARNING: PINCH POINTS



Do not pick up the product near the 4 inside corners on either side as it may cause injury.



WEIGHT:

- Do not exceed tongue weight of attached vehicle.
- Minimum recommended towing capacity of the ATV/UTV to use the lift with is 1500 lbs.

STRAPS:

- Do not use product without ratchet straps securing the product to the bed or cage of the vehicle.
- Keep ratchet straps connecting the lift and attached vehicle tight when in transport mode. Straps can be slightly loosened once the attached product is engaged with the ground.

SPEED:

- Do not exceed 5 mph when attached ground engaging products are engaged with the ground.

SETTINGS:

- The bars attached to 1020158-10 can be adjusted to different holes for various lift/depth heights as needed. The one shown in the manual/model provides the optimal amount of lift/engaged heights for general use.

OPERATION:

- Once assembled, turn handle clockwise to lift the end and reverse to lower.
- The lead screw should be lubricated with a light coat of a light oil before each use.
- Always follow instructions of both the attached ground engaging product and UTV / ATV's manuals.

ADJUSTMENT:

- Do not change attachment point of the arm bars when ground engaging product is attached.

MAINTENANCE



- Keep lead screw clean from debris, and before each use light oil on lead screw to prevent binding.
- If lead screw becomes stuck then slightly loosen the bolts from steps 5, 3 and 2. If problem persists then relieve pressure from active end of the unit, then clean lead screw from any debris and apply light coating of oil or WD 40.
- Should rust develop, sand lightly & then paint area with enamel.
- Periodically check all fasteners for tightness.

Additional info and videos are available on our website:

brinly.com

This QR code links directly to the OPL-BH product page.





MANUFACTURER'S LIMITED WARRANTY
OPL-BH

The limited warranty set forth below is given by Brinly-Hardy Company with respect to new merchandise purchased and used in the United States (its possessions and territories) and Canada.

Brinly-Hardy Company warrants the products listed below against defects in material and workmanship, and will at its option, repair or replace, free of charge, any part found to be defective in materials or workmanship. This limited warranty shall only apply if this product has been assembled, operated, and maintained in accordance with the Operator's manual furnished with the product, and has not been subject to misuse, abuse, commercial use, neglect, accident, improper maintenance, alteration, vandalism, theft, fire, water, or damage because of other peril or natural disaster.

Parts found to be defective within the warranty period will be replaced at our expense. Our obligation under this warranty is expressly limited to the replacement or repair, at our option, of parts found to be defective in material and workmanship.

HOW TO OBTAIN SERVICE: Warranty parts replacements are available, only with proof of purchase, through our Customer Service Department. Call 877-728-8224.

This limited warranty does not provide coverage in the following cases:

- a. Routine maintenance items such as lubricants & filters.
- b. Normal deterioration of exterior finish due to use or exposure.
- c. Transportation and/or labor charges.
- d. The warranty does not include commercial and/or rental use.

No implied warranty, including any implied warranty of merchantability of fitness for a particular purpose, applies after the applicable period of express written warranty above as to the part as identified below. No other express warranty whether written or oral, except as mentioned above, given by any person or entity, including a dealer or retailer, with respect to any product, shall bind Brinly-Hardy Co. During the period of the warranty, the exclusive remedy is repair or replacement of the product as set forth above.

The provisions as set forth in this warranty provide the sole and exclusive remedy arising from the sale. Brinly-Hardy Co. shall not be liable for incidental or consequential loss or damage including, without limitation, expenses incurred for substitute or replacement lawn care services or for rental expenses to temporarily replace a warranted product.

Some states do not allow the exclusion or limitation of incidental or consequential damages, or limitations on how long an implied warranty lasts, so the above exclusions or limitations may not apply to you.

During the warranty period, the exclusive remedy is replacement of the part. In no event shall recovery of any kind be greater than the amount of the purchase price of the product sold. Alteration of safety features of the product shall void this warranty. You assume the risk and liability for loss, damage, or injury to you and your property and/or to others and their property arising out of the misuse or inability

to use this product. *NOTE: This limited warranty shall not extend to anyone other than the original purchaser or to the person for whom it was purchased as a gift.*

This limited warranty lasts as long you own your product purchased from an authorized seller. **Coverage terminates once you sell or otherwise transfer the product.**

This limited warranty does not cover any purchaser other than the original purchaser of the product, nor does it cover any product purchased from an unauthorized third-party. If you are not the original purchaser of this product, your product is not covered by our limited warranty and you take the product "AS IS" and "with all faults."

We may require proof of purchase from you demonstrating that you are the original purchaser of the product, purchased the product from an authorized dealer, and are eligible to make a valid claim under this limited warranty.

How state law relates to this warranty: This limited warranty gives you specific legal rights, and you may also have other rights which vary from state to state.

IMPORTANT:

The Warranty period stated below begins with the proof of purchase. Without the proof of purchase, the Warranty period begins from the date of manufacture determined by the serial number manufacturing date. All parts replaced under warranty will be considered as part of the original product, and any warranty on the replaced parts will expire coincident with the original product warranty.

WARRANTY PERIOD:

See applicable parts listed below.

Standard / Residential Use:

Steel Frame & Steel Parts 2 years

All other normal wear parts or component failures will be covered on this product for a period of 90 days.

If this equipment is being used in a commercial application and / or for multiple properties, the warranty is 90 days after purchase for all parts.