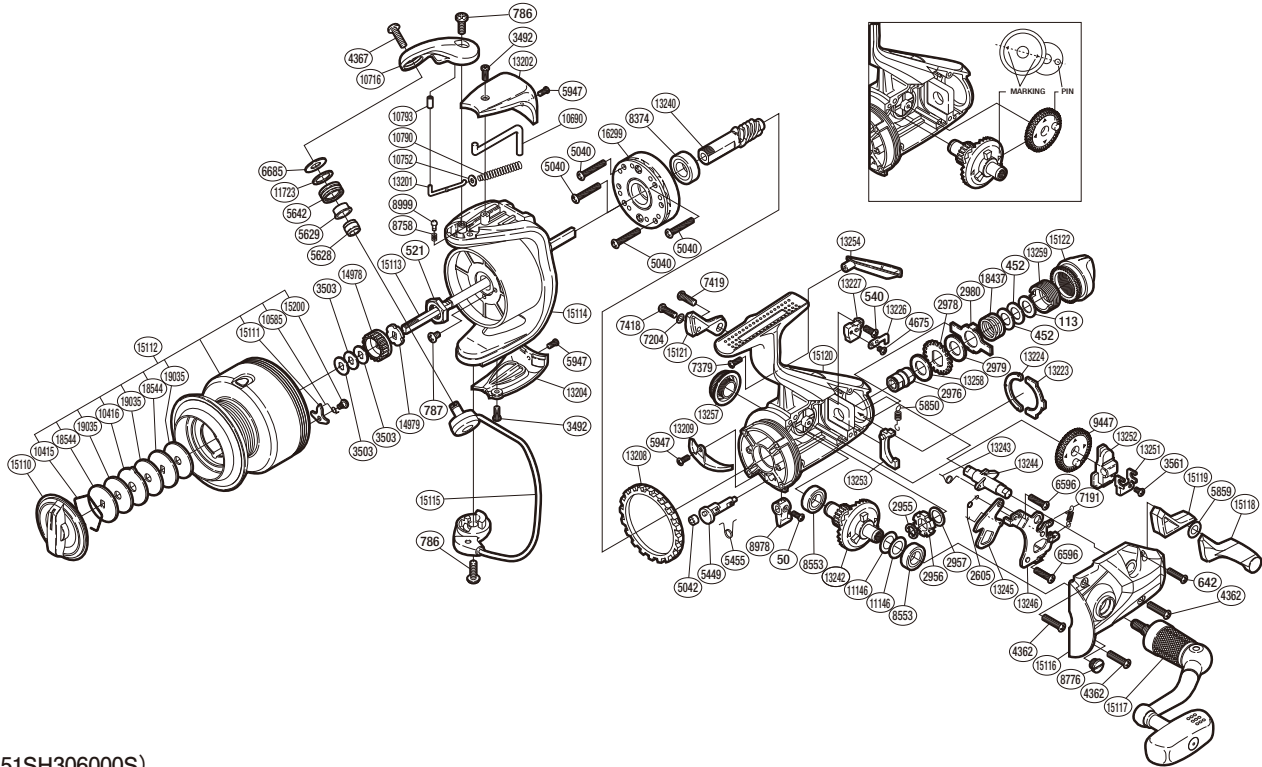


SHIMANO

BAITRUNNER

BTR-6000OC



(51SH306000S)

#	Part No.	Description	#	Part No.	Description	#	Part No.	Description
50	10MPT	Screw	6685	10PK6	Line Roller Washer	13242	104K9	Drive Gear
113	10C0Z	Washer	7191	104UK	Baitrunner Click Spring	13243	104CH	Clutch Spring
452	10BXE	Washer	7204	10KF3	Lock Washer	13244	106MW	Baitrunner Lever Shaft
521	10MSW	Rotor Nut	7418	10L6L	Screw	13245	10G70	Clutch Pawl
540	103GS	Screw	7419	10LLG	Screw	13246	10NZU	Clutch Plate Assembly
642	10M35	Screw	8374	107FL	Ball Bearing	13251	10JZS	Oscillating Slider Retainer
786	103J1	Screw	8553	107AT	Ball Bearing	13252	104WP	Oscillating Slider
787	103L6	Screw	8758	10HEN	Click Spring	13253	10N0V	Baitrunner Pawl
2605	10QCX	Clutch Pawl Spring	8776	104KM	Oil Cap	13254	106JT	Body I.D. Plate
2955	105S4	C Lock	8978	10JG2	Anti-Reverse Lever	13257	10GVL	Handle Screw Cap
2956	10TY8	Baitrunner Ratchet	8999	10HEA	Click Pin	13258	10P2G	Free Spool Tension Washer
2957	10PDB	Spacer	9379	10L1U	Screw	13259	106RQ	Free Spool Tension Screw
2976	105SS	Free Spool Tension Shaft	9447	104X0	Oscillating Gear	14978	103PG	Spool Support A
2978	10TY6	Click Gear	10415	10B6L	Drag Washers Retainer	14979	10J03	Spool Support B
2979	10KMT	Free Spool Tension Washer	10416	10BE2	Eared Washer	15110	102FG	Drag Knob
2980	10TY9	Eared Washer	10585	10JYJ	Click Spring	15111	1038G	Drag Click
3492	103DC	Screw	10690	10F19	Bail Trip Lever	15112	10J10	Spool Assembly
3503	10BXK	Spool Washer	10716	10Q3W	Bail Arm	15113	10L4T	Main Shaft
3561	10MT4	Screw	10752	10TYE	Spring Guide A Support	15114	10QAH	Rotor
4362	10MBT	Screw	10790	10FVF	Bail Spring	15115	10TVK	Bail Assembly
4367	10PMS	Screw	10793	10PK9	Bail Arm Collar	15116	1091W	Side Cover
4675	10LV7	Screw	11146	10JDB	Washer	15117	10HJ6	Handle Assembly
5040	103LA	Screw	11723	10G76	Line Roller Spacer	15118	10Q79	Baitrunner Lever Arm L
5042	106F8	Anti-Reverse Cam Ring	13201	105YT	Bail Spring Guide A	15119	10PA6	Baitrunner Lever Bridge
5449	10DA2	Anti-Reverse Cam	13202	10DD8	Bail Spring Cover	15120	10NWJ	Body
5455	10DCK	Anti-Reverse Cam Spring	13204	10FV5	Bail Hold Support Guard	15121	108NX	Baitrunner Lever Arm R
5628	10HAR	Line Roller Collar	13208	10D7T	Friction Ring	15122	10JX3	Baitrunner Tension Dial
5629	10PFK	Line Roller Bushing	13209	10D91	Bail Trip Strike	15200	10A6G	Screw
5642	10JP2	Line Roller	13223	106S3	Dial Retainer	16299	10QPF	Roller Clutch Assembly
5850	10G75	Baitrunner Pawl Spring	13224	1050X	Dial Retainer B	18437	106RR	Free Spool Tension Spring
5859	10ATP	Spacer	13226	106RY	Dial Click	18544	10N27	Key Washer
5947	103NH	Screw	13227	106WH	Baitrunner Pawl Guide	19035	10N59	Drag Washer
6596	10M2J	Screw	13240	10M3W	Pinion Gear			

Please note that the number of adjusting washers may not be the same as shown in the exploded views.
(Adjustment will vary with each individual product.)

(231115)_006