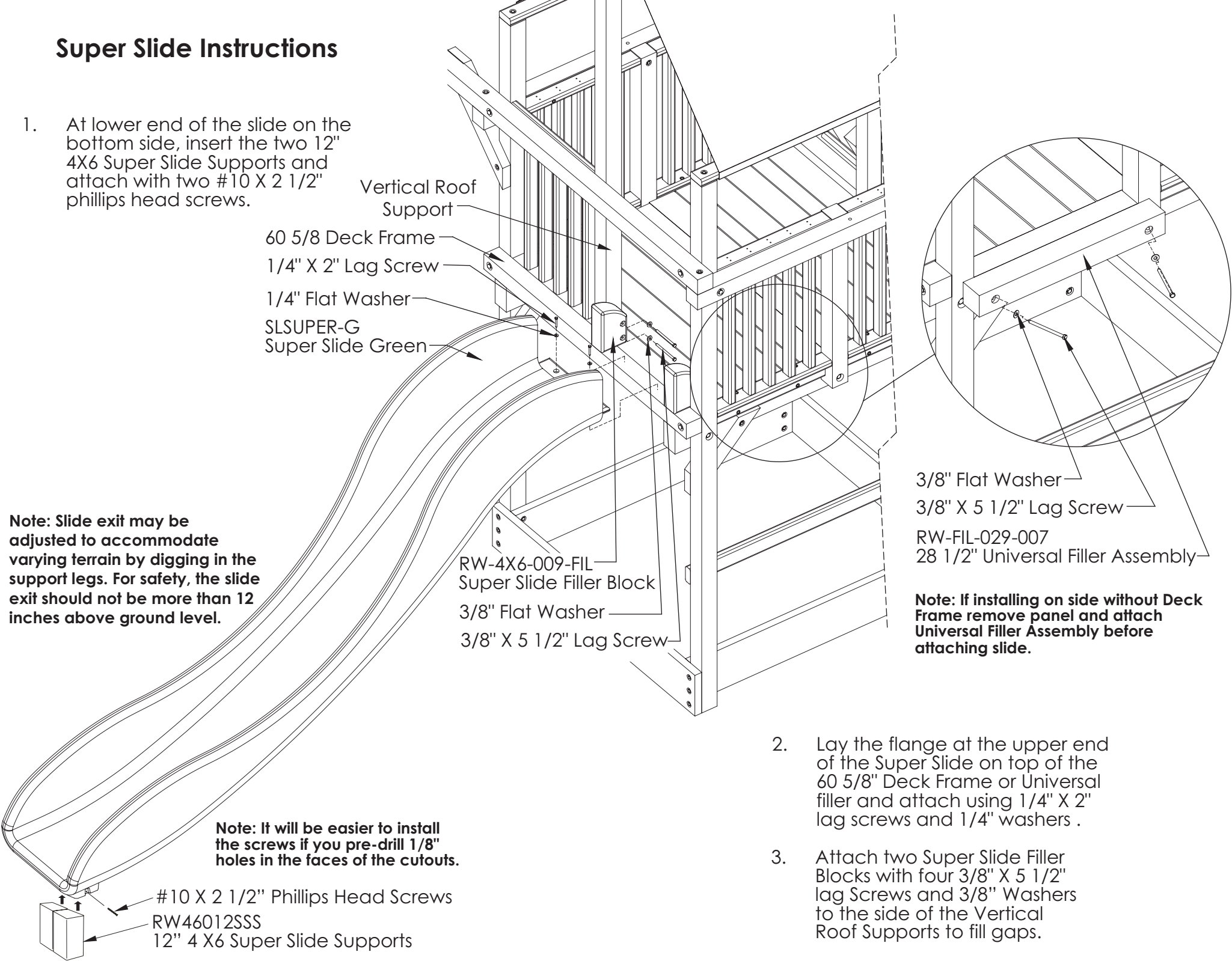


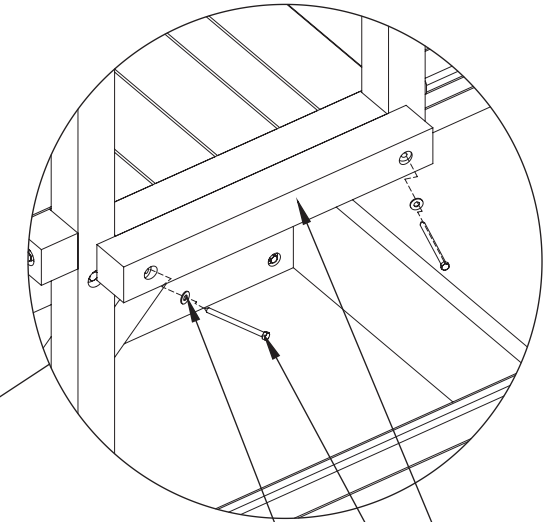
Super Slide Instructions

1. At lower end of the slide on the bottom side, insert the two 12" 4X6 Super Slide Supports and attach with two #10 X 2 1/2" phillips head screws.



Note: Slide exit may be adjusted to accommodate varying terrain by digging in the support legs. For safety, the slide exit should not be more than 12 inches above ground level.

Note: It will be easier to install the screws if you pre-drill 1/8" holes in the faces of the cutouts.



3/8" Flat Washer
 3/8" X 5 1/2" Lag Screw
 RW-FIL-029-007
 28 1/2" Universal Filler Assembly

Note: If installing on side without Deck Frame remove panel and attach Universal Filler Assembly before attaching slide.

2. Lay the flange at the upper end of the Super Slide on top of the 60 5/8" Deck Frame or Universal filler and attach using 1/4" X 2" lag screws and 1/4" washers .
3. Attach two Super Slide Filler Blocks with four 3/8" X 5 1/2" lag Screws and 3/8" Washers to the side of the Vertical Roof Supports to fill gaps.

#10 X 2 1/2" Phillips Head Screws
 RW46012SSS
 12" 4 X6 Super Slide Supports

RW-4X6-009-FIL
 Super Slide Filler Block
 3/8" Flat Washer
 3/8" X 5 1/2" Lag Screw



No Kidding Guarantee

30-Day Unconditional Warranty. If, at any time during the first 30 days after the date of delivery, you are not completely satisfied with your Woodplay product, you may return the product (freight prepaid by customer) in its original condition to us for a similar replacement or a full refund of the purchase price, excluding installation expense.

2-Year Warranty on all above-ground Woodplay playset components manufactured by Woodplay suppliers. Woodplay will repair or replace, at our option, any Woodplay above-ground playset component which fails within two years after the date of delivery as a result of a defect in materials or workmanship.

Limited Lifetime Warranty on all above-ground Woodplay wooden playset components, swing hangers, swing chains, metal braces, metal rungs, and our exclusive Super Slide. Woodplay warrants to the original retail customer that we will replace any above-ground Woodplay wooden playset component suffering structural failure due to warping, rotting, or insect damage (excluding carpenter bees). This warranty does not cover knots in the wood, surface cracking or seasonal checking of components. Knots, surface cracking and seasonal checks are a natural characteristic of all wood, including redwood, and will not affect the integrity of your playset. Woodplay warrants to the original retail customer that we will replace any swing hangers, swing chains, metal braces or metal rungs that fail due to rust or breakage (excludes surface rust). This limited lifetime warranty also applies to our exclusive Super Slide. This warranty is expressly in lieu of all other warranties, expressed or implied, including warranties of merchantability or fitness for use. Woodplay does not assume, or authorize any person or representative to assume for us, any other liability in connection with the sale of our products. These warranties exclude any incidental or consequential damages which may arise from the purchase or use of our equipment. Some states do not allow the exclusion or limitation of consequential damage, so the above limitation or exclusion may not apply to you. This warranty program applies only to the original owner and is limited to residential and noncommercial use of the products. Customer must register the playset purchase at www.woodplay.com to be eligible for warranty. A copy of the original invoice must accompany all warranty claims. Freight and labor charges are not included. This warranty program does not cover normal wear and tear, or damages resulting from misuse, abuse, vandalism, alteration, acts of God, or assembly and maintenance contrary to our instructions. Woodplay reserves the right to examine photographs and/or the component itself—shipped freight prepaid by the customer—prior to potential replacement. Questions about this warranty should be addressed to the Customer Service Department at 817 Maxwell Ave., Evansville, IN 47711, or call 1-800-WOODPLAY

Special Note: Woodplay reserves the right to make changes in materials, design, and pricing without notice. See your instruction manual for maintenance requirements. Your child's safety is your responsibility; therefore, you should inspect this equipment regularly for wear and safety.