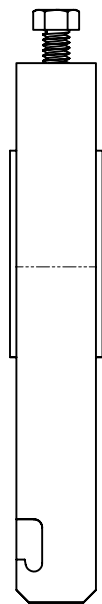
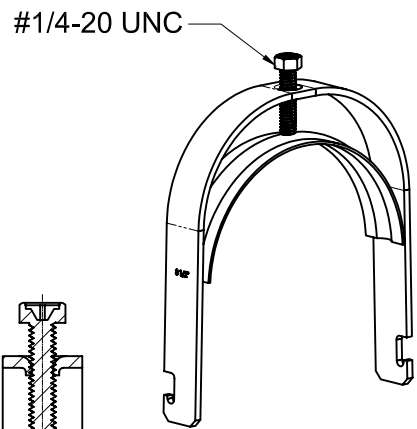
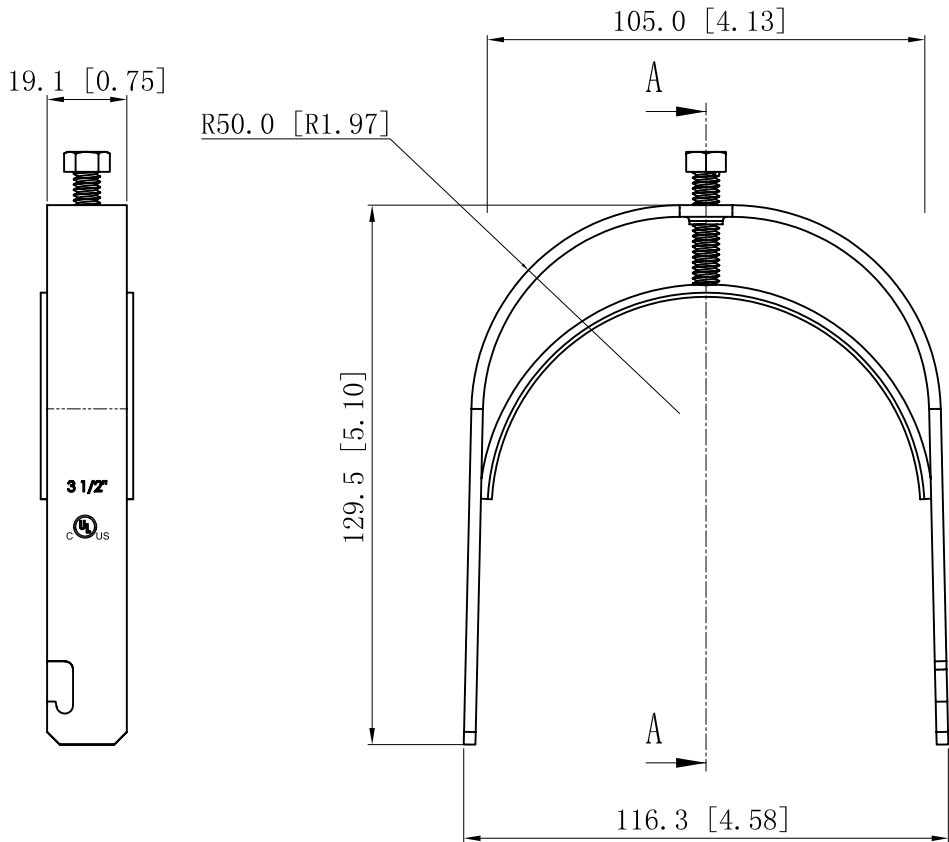
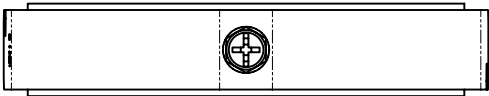


SIDES	BOTTOM
Material: Steel-(0.104"-0.110")-Galvanized or C.R.S and zinc plated	



SWEDGE

CUTAWAY VIEW A-A

This data sheet is for reference only .GARVIN INDUSTRIES reserves the right to make changes to the design without prior notice.

DESCRIPTION
TRADE REFERENCE TERMS

STANDARD PACKING
10 PCS

<b>GARVIN INDUSTRIES</b>		
TITLE <b>ONE-PIECE STRUT CLAMPS</b>		
SIZE A4	DWG NO. OPSC-350	REV A
DATA SHEET		