



Stinson®

20" rectangle drop-in bathroom sink
442007

Features

- No faucet holes; requires wall- or counter-mount faucet
- Center drain and overflow
- Rectangular basin
- With overflow

Material

- Vitreous china

Installation

- Drop-in

Recommended Products/Accessories

- K-23726 Drain treatment
- K-23725 Cast iron cleaner



ADA

Codes/Standards


- ASME A112.19.2/CSA B45.1
- ADA
- ICC/ANSI A117.1

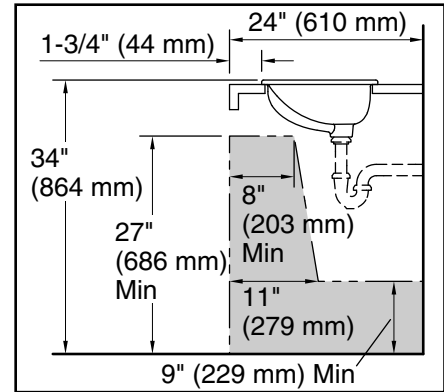
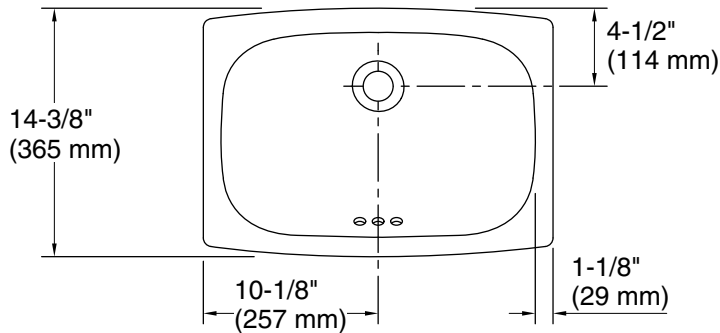
STERLING® Vitreous China Bathroom Sinks Five-Year Limited Warranty

See website for detailed warranty information.

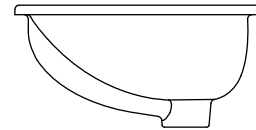
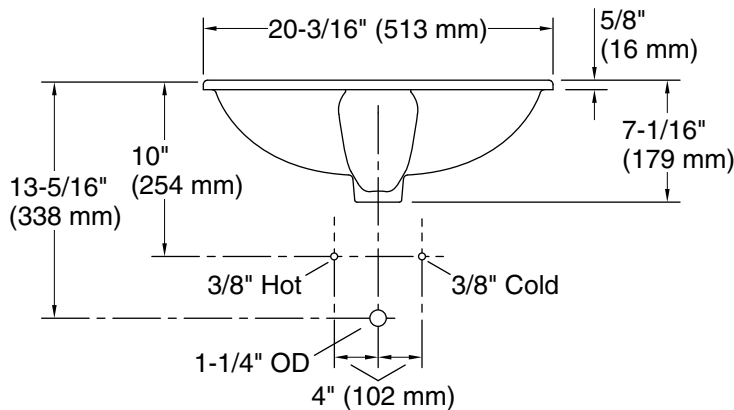
Available Colors/Finishes

Color tiles intended for reference only.

Color	Code	Description
	0	White



Recommended ADA Installation



Technical Information

All product dimensions are nominal.

- Basin configuration: Single Bowl
- Bowl area (Only): Length: 18-3/16" (462 mm)
Width: 11-7/8" (302 mm)
Water depth: 5" (127 mm)
- With overflow: Yes
- Drain hole: 1-11/16" (43 mm)
- Template: 1084867-7, required, included

Notes

Install this product according to the installation instructions.

Measure your actual product for roughing-in details.

Countertop manufacturer or cutter must use the cut-out template provided with the product, or a current one provided by Kohler Co. (call 1-800-43-FOCUS). Kohler Co. is not responsible for cut-out errors when the incorrect cut-out template is used.

Product dimensions are nominal and may vary per ASME A112.19.2 tolerances.

ADA compliant when installed to the specific requirements of these regulations.