

NEWPORT BRASS

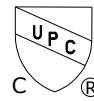
TAFT

WIDESPREAD LAVATORY FAUCET

2940

Features

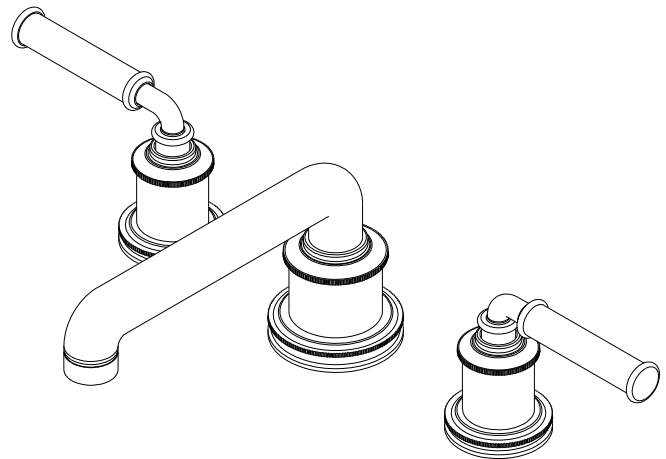
- Solid brass construction
- Brass valve bodies
- Quarter-turn washerless ceramic disc valve cartridges
- Spout assembly with integral supply hoses
- Push Pop-Up drain with tailpiece
- 2.23" (5.7 cm) spout height at outlet
- 6.01" (15.3 cm) spout reach (c-c)
- For 8" (20.3 cm) centers -Maximum 20" (50.8 cm)
- ADA Compliant
- 1.2 GPM (4.5 LPM) Max



Codes / Standards Compliance

Meets or exceeds the following at date of manufacture:

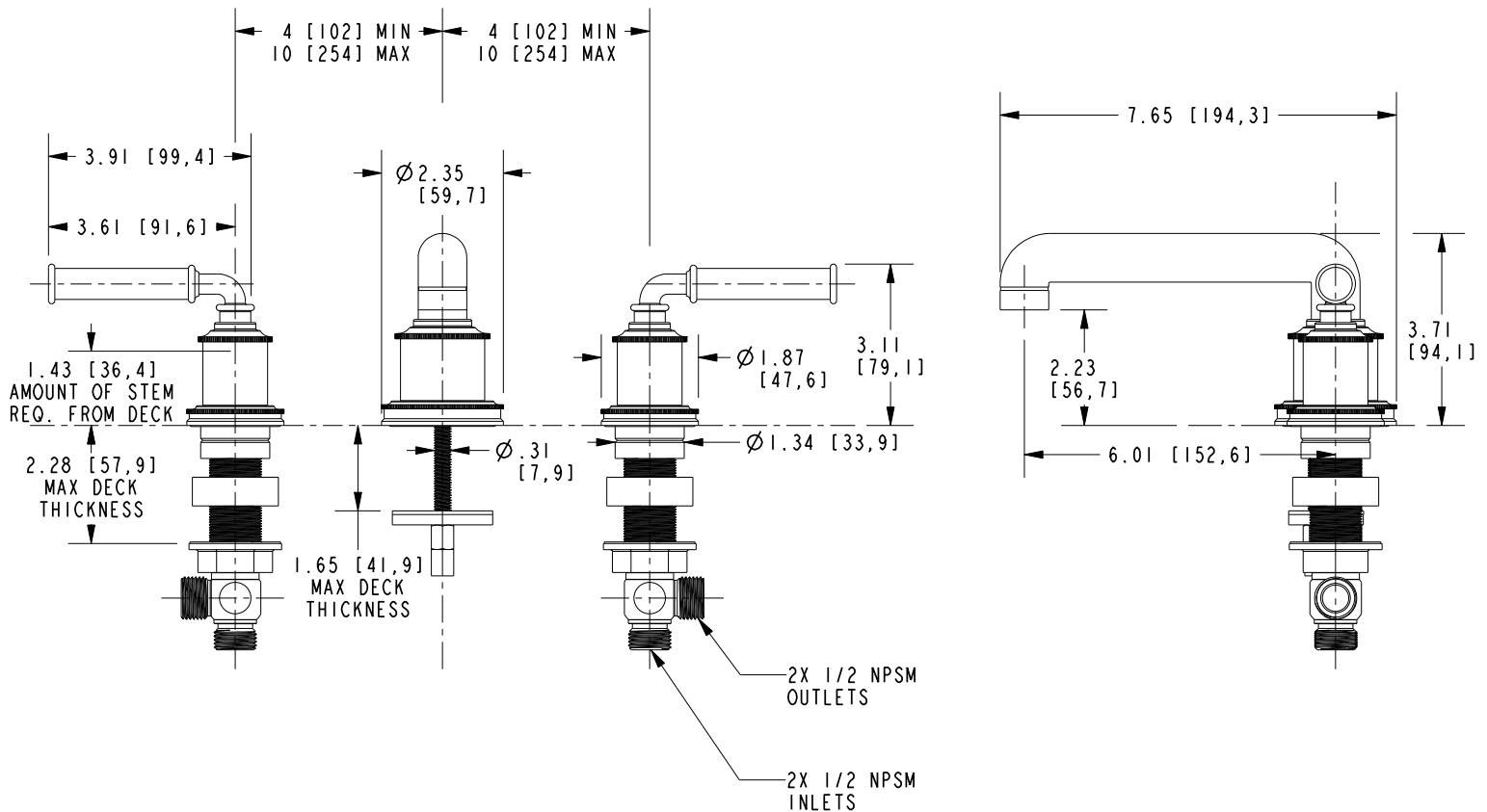
- ASME A112.18.1/CSA B125.1
- IAPMO/cUPC
- NSF/ANSI/CAN 61, SECTION 9
- NSF/ANSI 372
- IPC
- ADA & ICC/ANSI A117.1
- Energy Policy Act of 1992
- EPA WaterSense
- California Energy Commission
- All applicable US Federal and State material regulations



NEWPORT BRASS

PRODUCT DIMENSIONS *(Units are in inches)*

Product Dimensions are provided for reference only. For specific product installation guidelines, please reference the Installation Instructions of the product being installed.



WIDESPREAD LAVATORY FAUCET

2940