



MSA Latchways Freestanding Constant Force post range	
Part Number	Model name/Model description
65640-00	300 kg Single point anchor for the attachment of one user
65643-00	200 kg intermediate anchor for use as part of a Type C horizontal lifeline ¹
65644-00	400 kg End or corner anchor for use as part of a Type C horizontal lifeline ²
65724-00	500 kg Single point anchor for the attachment of one user
Upgrade kit	
65641-00	100 kg Upgrade kit (Upgrade 65640-00 to 65644-00)
65725-00	200 kg Upgrade Kit (Upgrade 65640-00 to 65724-00)

Upgrade kit contents

100 kg = 4 x 25 kg weight segment

200 kg = 8 x 25 kg weight segment



4 x Nut, bolt, washers & end cap assembly



1. This Anchor must not be used as a Type A single point anchor.

2. This anchor may also be used as a Type A single point anchor for the attachment of one user.

Materials

Constant Force Post

Base Plate	Aluminium, Powder Coated
Insulating Ring	30% Glass Filled Nylon 66
Tube	Aluminium, Thickness, Powder Coated
Dome	316s Stainless Steel, Electro-polished
Coil assembly	316s Stainless Steel
Spreader Plate	316s stainless steel
Nuts & Bolts	Marine Grade A4 Stainless Steel

Static Weight Anchor

Segments	Grey Iron, Hot Dip Galvanized, 85µm
Cross straps	6mm Thick Steel Plate, Hot Dip Galvanized, 85µm
Bolts, Nuts And Washers	Galvanized
Rubber Coating	Natural Rubber, UV Additives

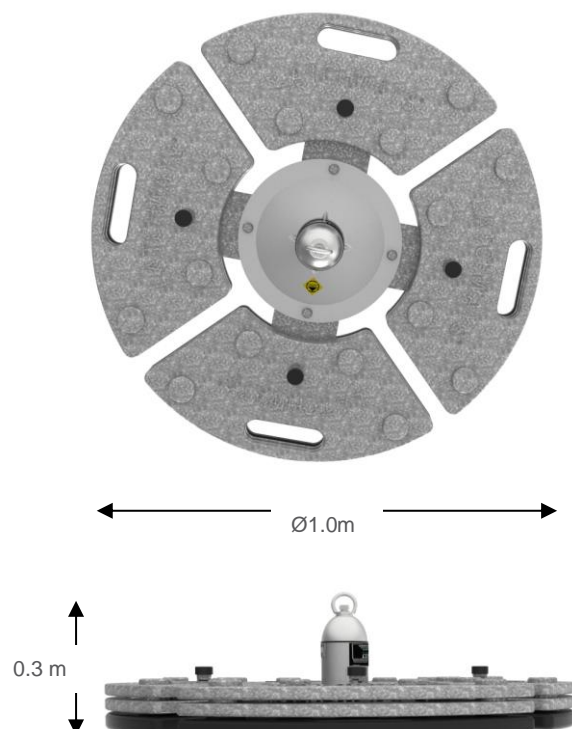
Loadings

Initial yield force 2.7 kN.

Continuous deployment force 10 kN.

Quality control

- 100% visual inspection on all critical items
- 100% Inspection Gauging
- 100% Visual Inspection Of Sub And Final Assemblies
- Batch Conformance Tested To Ultimate Strength

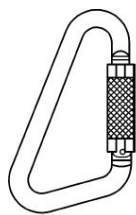


Notes

1. The total weight combinations for the anchor devices are;

Part number (Weight)	Rubber coated weights	Galvanised weights
65640-00 (300 kg)	4	8
65643-00 (200 kg)	4	4
65644-00 (400 kg)	4	12
65724-00 (500 kg)	4	16

2. The anchor device is for use where it is impractical to install constant force posts or rigid anchor posts to the roof or supporting structure below.
3. The anchor device is for use on nominally flat roofs up to a maximum pitch of 5°.
4. For situations where the arrest of a fall causes the anchor to move up a slope the maximum pitch of the roof is 15°.
5. The anchor device is supplied with four rubber coated base weights. These must be in contact with the roof surface when it is fully assembled.
6. When used as part of a Type C horizontal lifeline system the maximum number of users connected to the system must not exceed one (1).
7. When used as part of a Type C horizontal lifeline system, the maximum intermediate spacing between the anchor devices is 6 m.
8. When connecting to the cable system always use a full body harness and energy absorbing lanyard to appropriate national standards.
9. The anchor device must never be used during period when frost, ice or snow are present on the roof surface.
10. The anchor device must never be used if the roof surface is contaminated by grease, oil or any other type of lubricant.
11. Refer to installation and user instructions 65642_99 for further information for use as an end anchor.



Karabiner



Snap hook

When used as a Type A single point anchor and a karabiner type connector is to be attached to the D-ring, use D-ring 85030-00 or 85032-00. When used as a Type A single point anchor and a snap hook type connector is to be attached to the D-ring, use D-ring 85032-00 this will avoid the connector from becoming unintentionally detached which is referred to as 'roll-out'

Revision notes

Date	Rev	CR No.	Comments
02-11-16	6	100058	Clarified the defined maximum user status of the different Anchor variants
10-10-19	7	800000037310	Updated to reflect new PPE Regulation and Testing
25-03-2020	8	-	VBL update