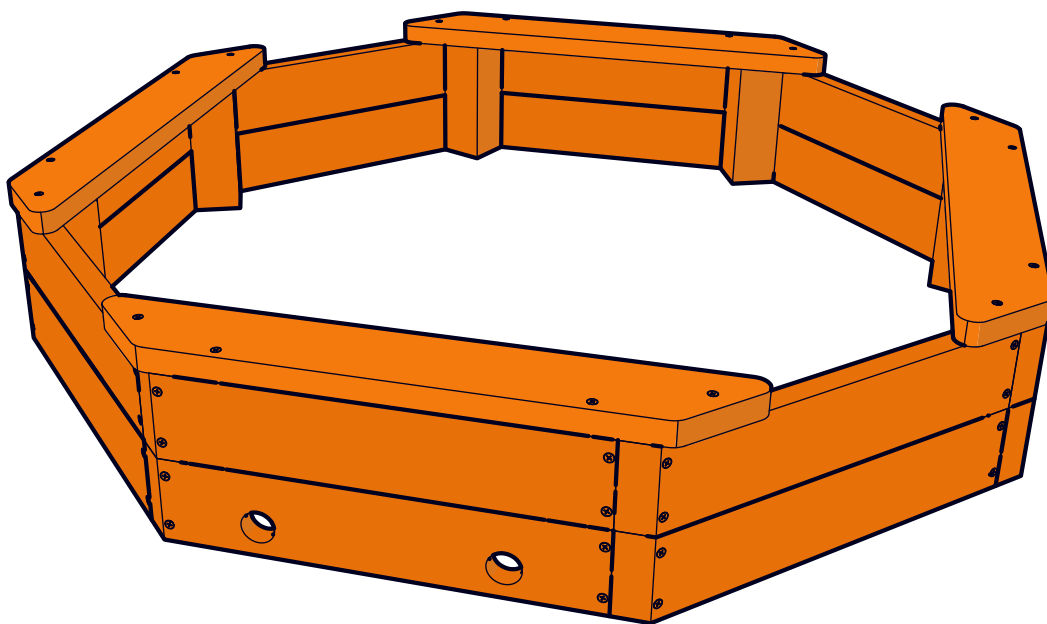


JACK & JUNE

OCTAGONAL SAND BOX



CPSIA#-PG302W- -DA

ASSEMBLY INSTRUCTIONS

for children 18+ Months

**Assembly requires 1 adult
(approx. 30 minutes assembly time)**

FOR FAMILY OUTDOOR DOMESTIC USE ONLY

Warning! Choke Hazard - not suitable for
children under 36 months until fully assembled

PG302

Advisory Section

To ensure the safety of you, the installer and your children, it is important that these instructions are read fully before commencing the positioning and assembly of this product. Assemble sandbox on a clean flat area.

Keep your sandbox safe for the children

1. Always cover the sandbox when not in use, to prevent unwanted animals from playing in the sand.
2. Before covering your sandbox, place a large object in the center of the sand to prop up the cover.
This will allow water to drain off the cover, and prevent any rain water from "pooling" in the center of the sand box.
This must be checked regularly.
3. Should any water still accumulate and form a pool, please ensure that this water is removed. Standing water can pose a danger to children.
4. Regularly check sand for impurities and any other sharp objects that may cause harm to children.
5. Use washed playsand suitable for use in children's sand boxes.

Timber Advice

This product has been made from premium timber. Great care has been taken in selecting, and machining the timber before it is presented to you. Timber is a natural product and as such may experience changes throughout the course of its life. This means it may:

- Develop openings (gaps, slits, apertures, cracks, splits) along the line of the grain. These openings are due to the difference in moisture content between the internal and outer surfaces of the timber. This is to be expected, is totally acceptable and will not affect the integral strength, life or guarantee of the product.
- Warp and distort its shape. Any distortion will be slight and will not affect the safety or enjoyment of this product.
- Fade as the timber reacts with sunlight. The timber should be treated with a proprietary product to act as a protective barrier, i.e. a water repellent, on an annual basis.
- Upon completion of assembly and after the first year of service, treat product with a good quality treatment/wood preservative safe for children's use.

Routine Maintenance

It is advised that on a regular basis (i.e. at the beginning of the season and monthly thereafter) all main parts/ fixings are checked as secure, have no sharp points/edges and are intact. Replace, and/or tighten when necessary. Failure to do so may result in an injury or hazard.

Remember to keep these instructions in a safe place for future reference.

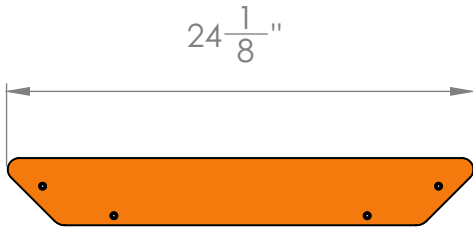
STANDARD PARTS LIST



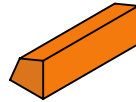
D1598
QTY. 17



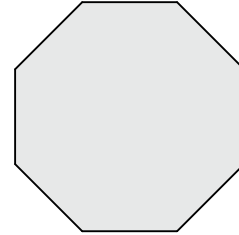
D1602
QTY. 1



D1072-d
QTY. 4



D1599
QTY. 8



D1074
Tarp for Sand
QTY. 1

HARDWARE



#8 X 1.625 PHILLIPS FLAT
HEAD WOOD SCREW
QTY. 80

TOOLS NEEDED



PHILLIPS SCREW DRIVER

NOTE:

An electric screwdriver is helpful in assembly. However, please set at low torque and use extreme caution with an electric screwdriver because you could over-tighten the hardware & strip out the screws.

HARDWARE NEEDED (ACTUAL SIZE)

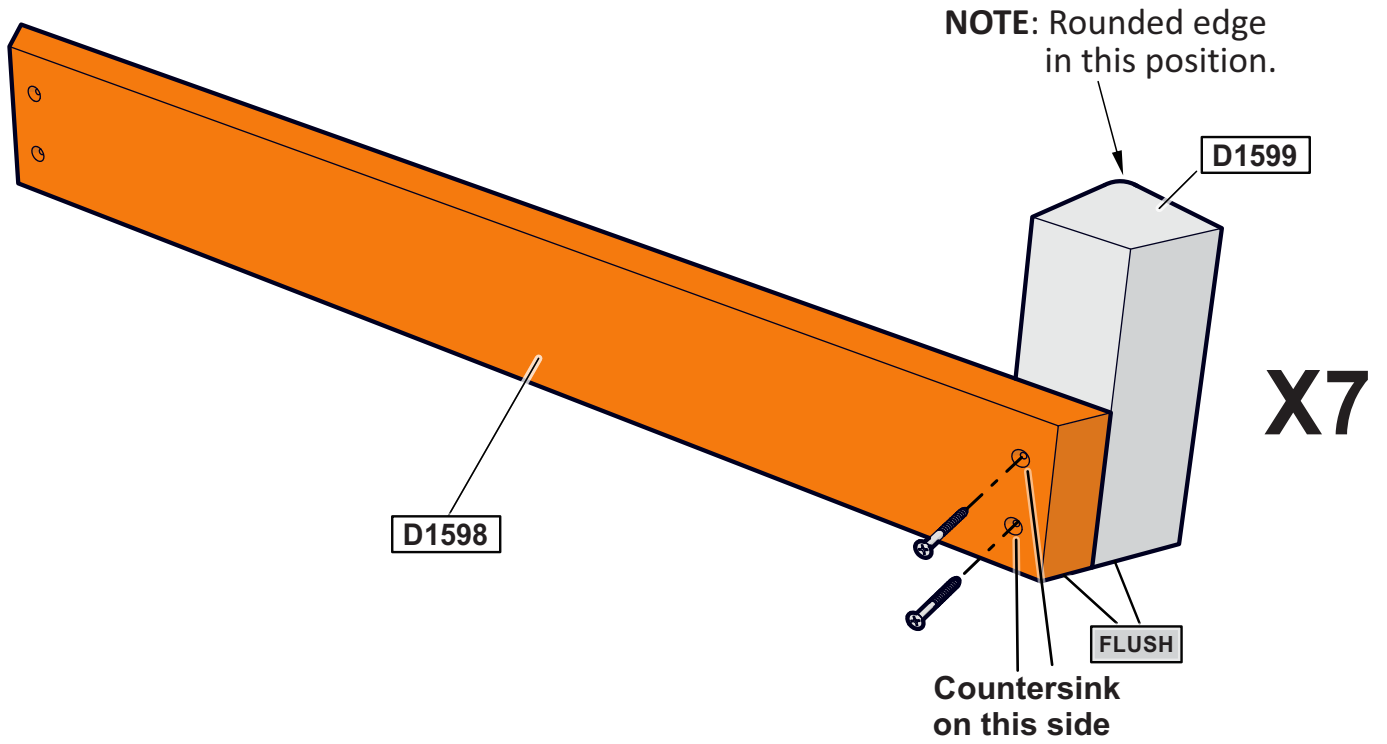


#8 X 1.625 WOOD SCREW
QTY. 14

STEP 1

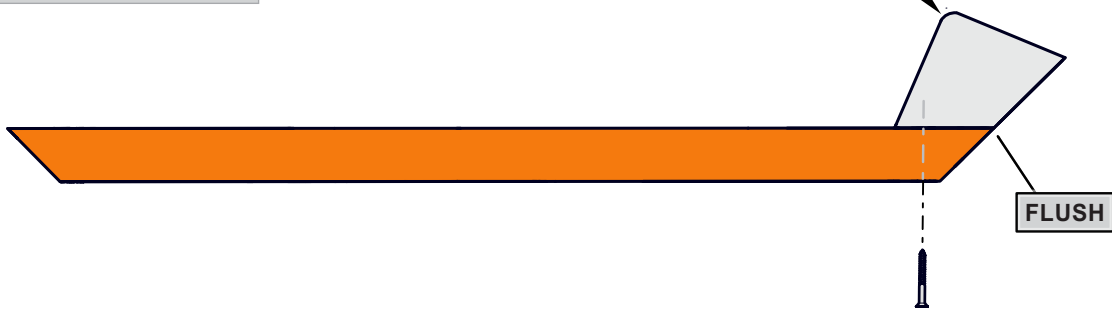
Attach **D1598** board to **D1599** post as shown. Repeat until **7** assemblies are built.

NOTE: Do not over-tighten any of the screws.



TOP VIEW 1

NOTE: Rounded edge
in this position.



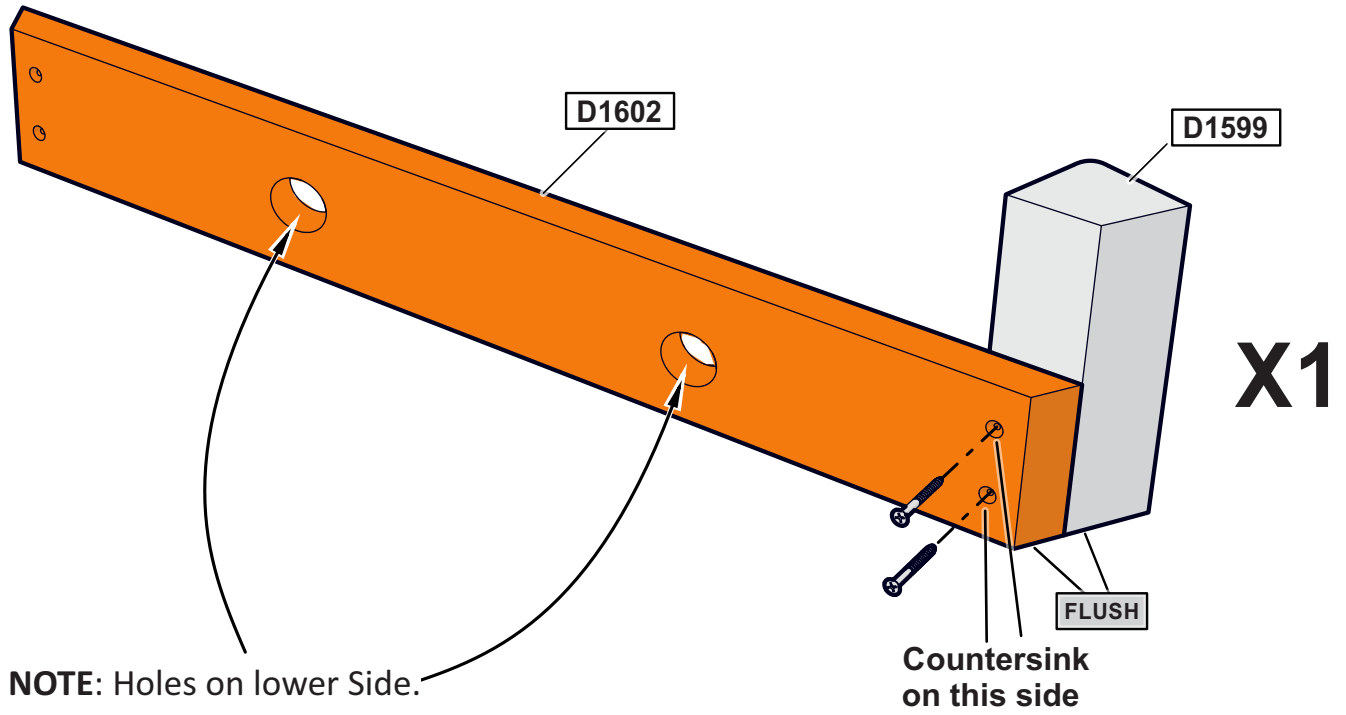
STEP 2

Attach **D1602** board to **D1599** post as shown.

HARDWARE NEEDED (ACTUAL SIZE)

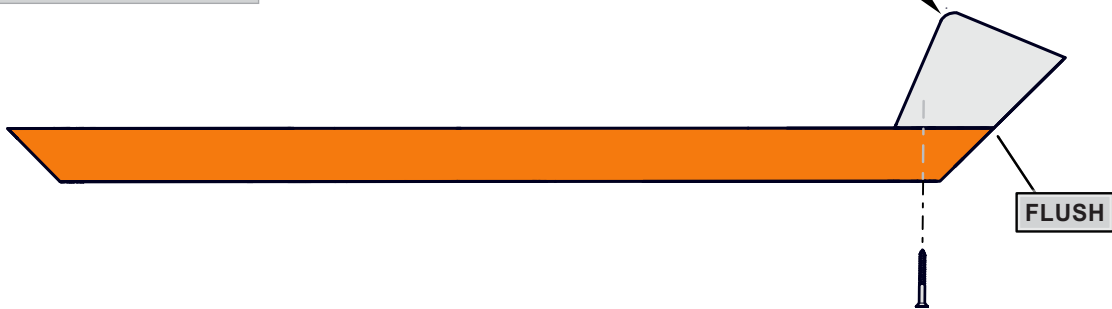


#8 X 1.625 WOOD SCREW
QTY. 2



TOP VIEW 2

NOTE: Rounded edge
in this position.



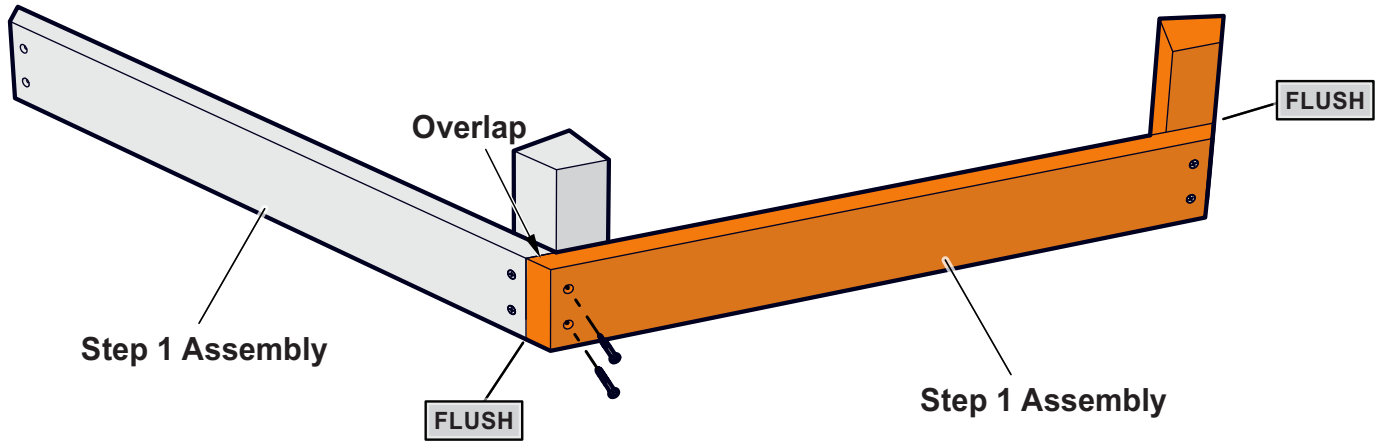
HARDWARE NEEDED (ACTUAL SIZE)



#8 X 1.625 WOOD SCREW
QTY. 2

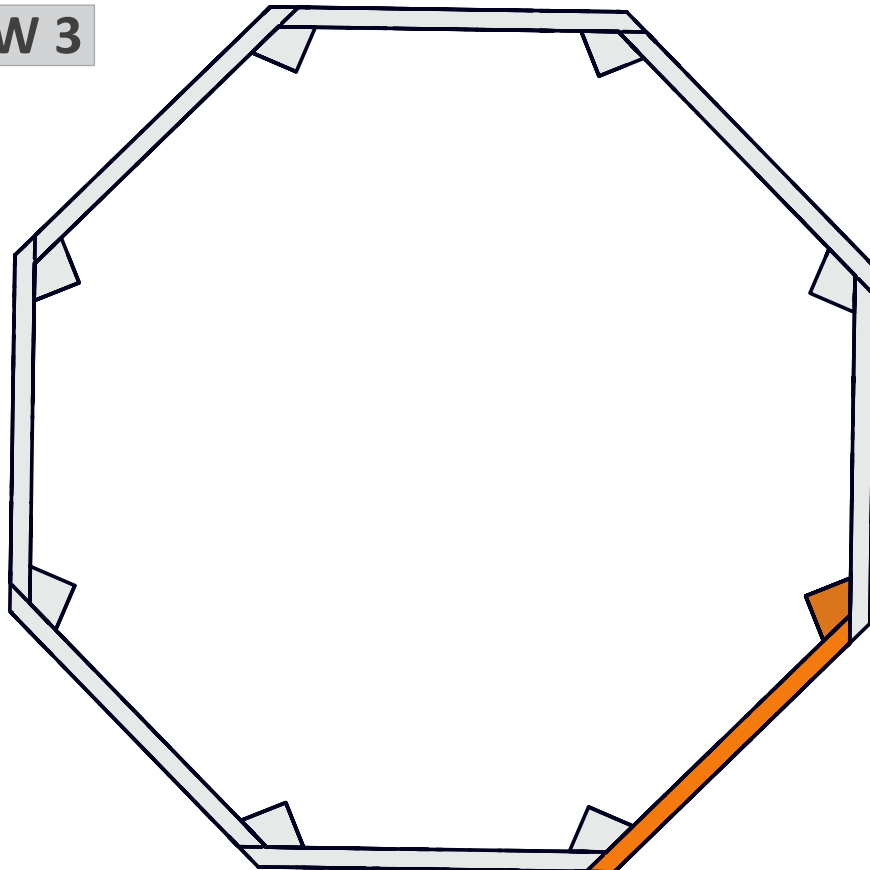
STEP 3

Attach **Step 1** Assembly to a second **Step 1** assembly. Repeat until **Step 8**.



NOTE: Please take notice of overlap and flush fit.

TOP VIEW 3

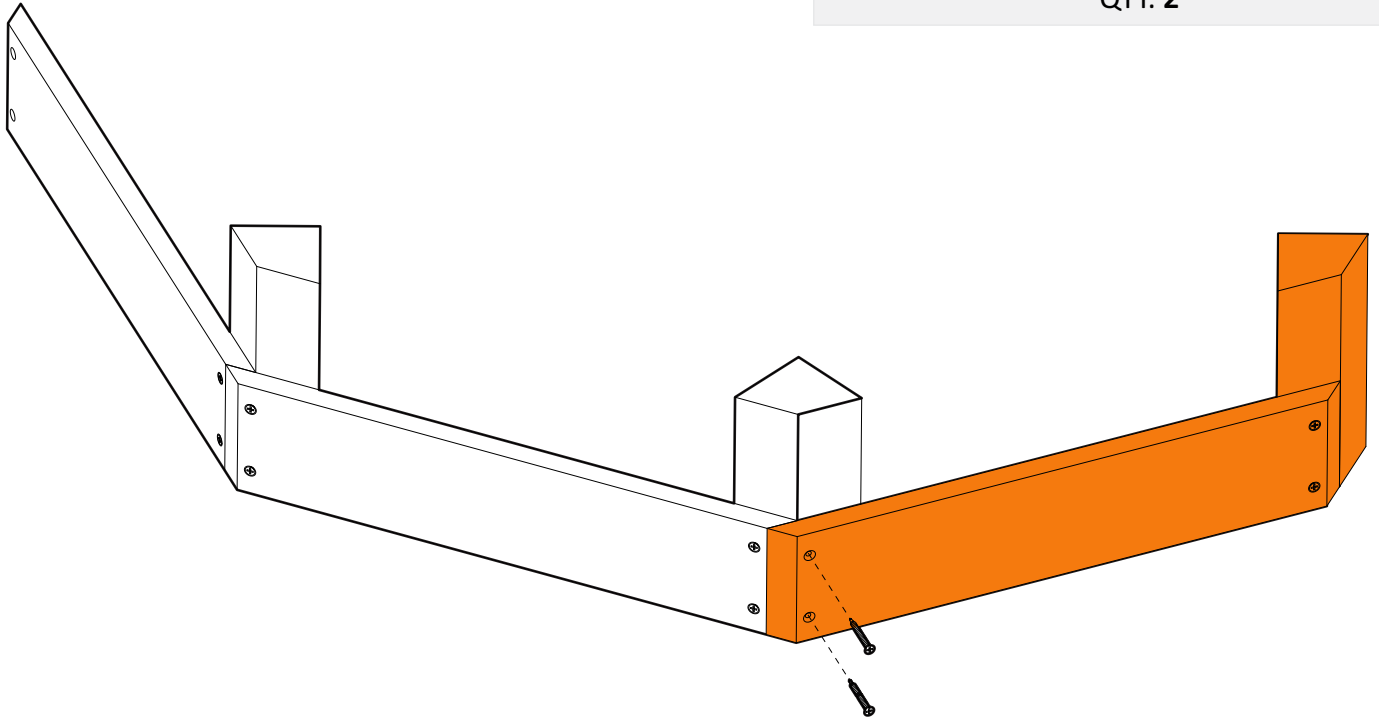


STEP 4

HARDWARE NEEDED (ACTUAL SIZE)



#8 X 1.625 WOOD SCREW
QTY. 2

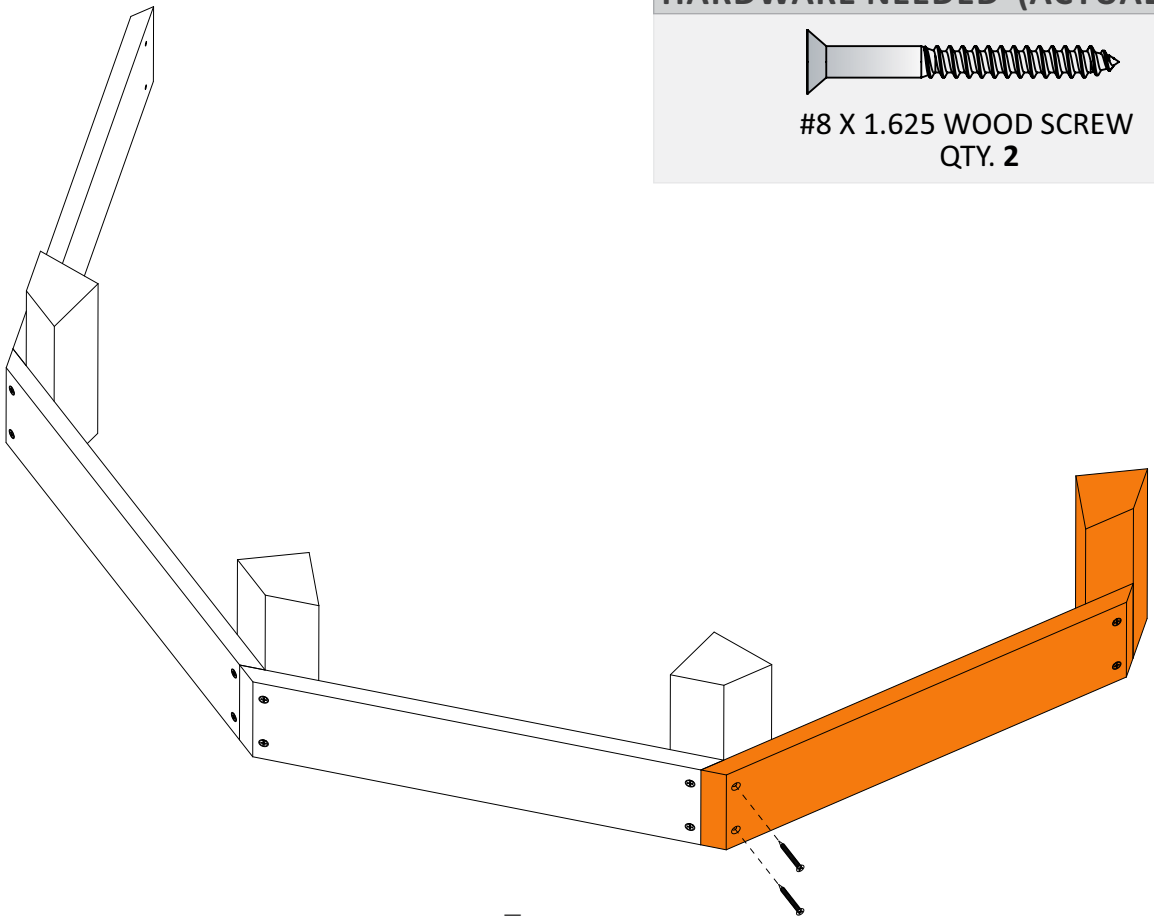


STEP 5

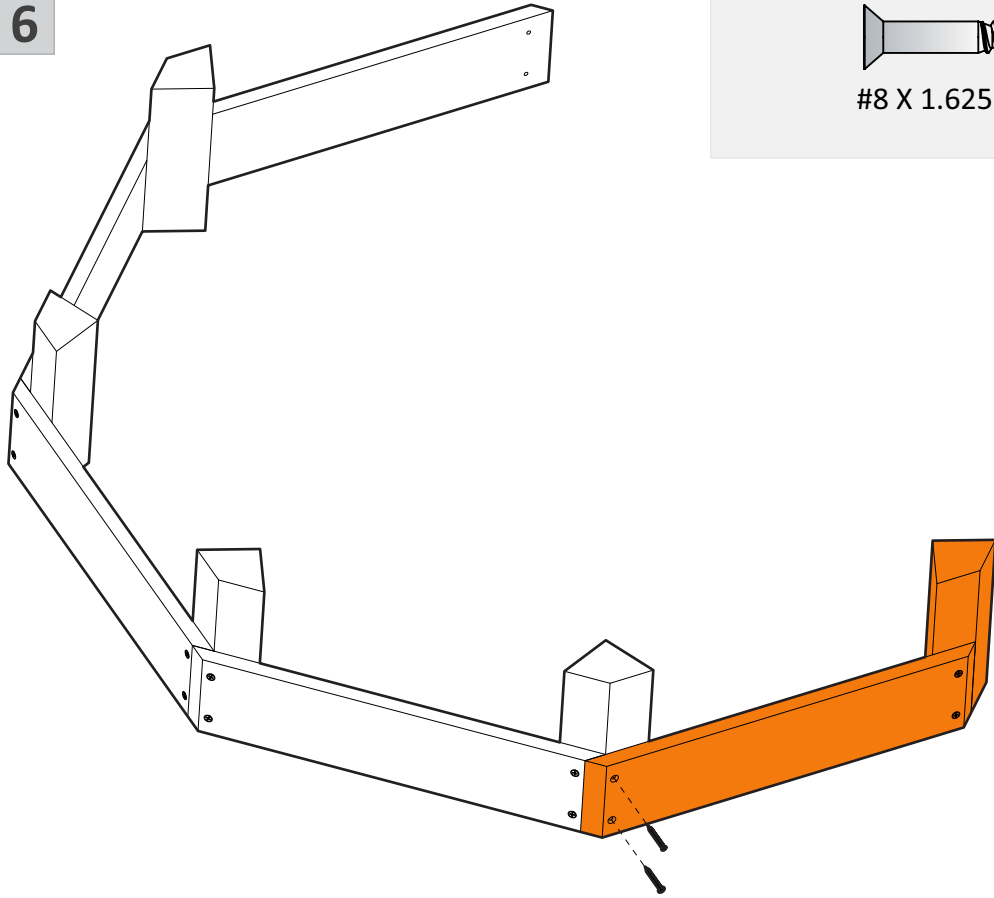
HARDWARE NEEDED (ACTUAL SIZE)



#8 X 1.625 WOOD SCREW
QTY. 2



STEP 6

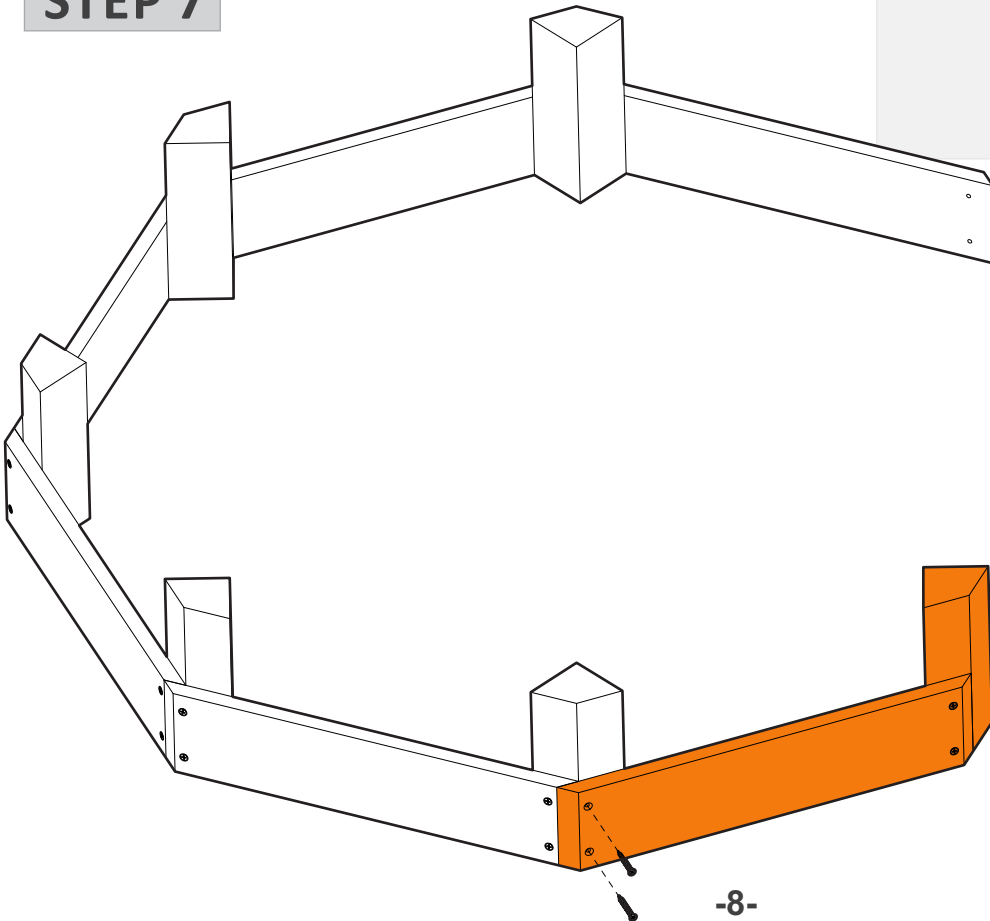


HARDWARE NEEDED (ACTUAL SIZE)



#8 X 1.625 WOOD SCREW
QTY. 2

STEP 7

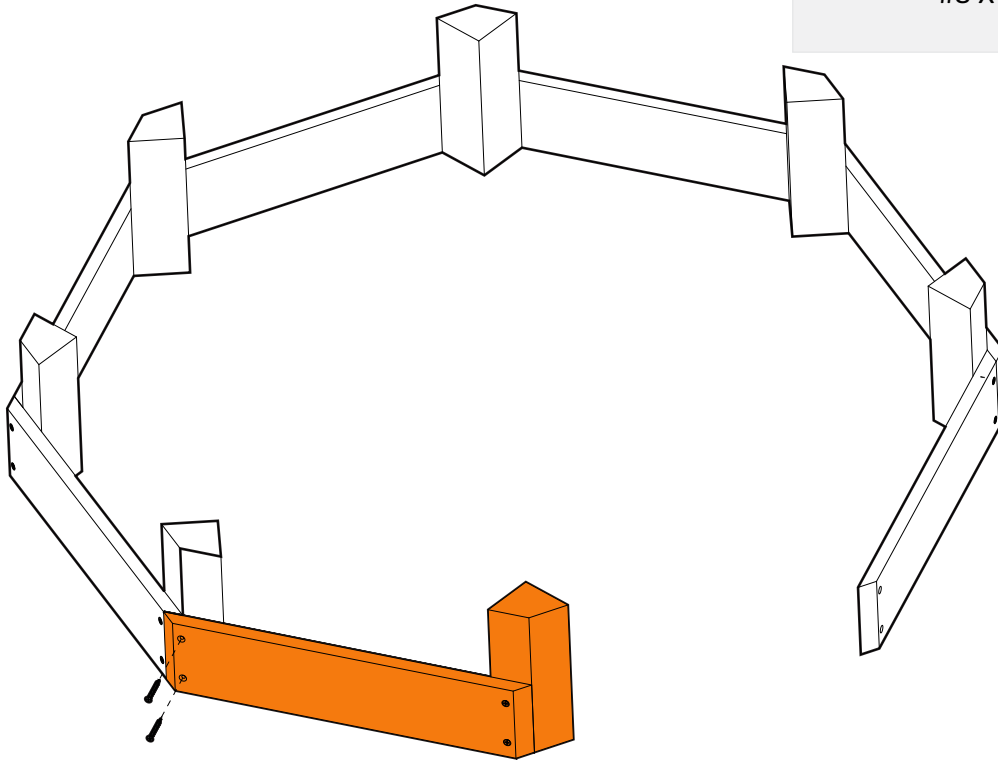


HARDWARE NEEDED (ACTUAL SIZE)



#8 X 1.625 WOOD SCREW
QTY. 2

STEP 8



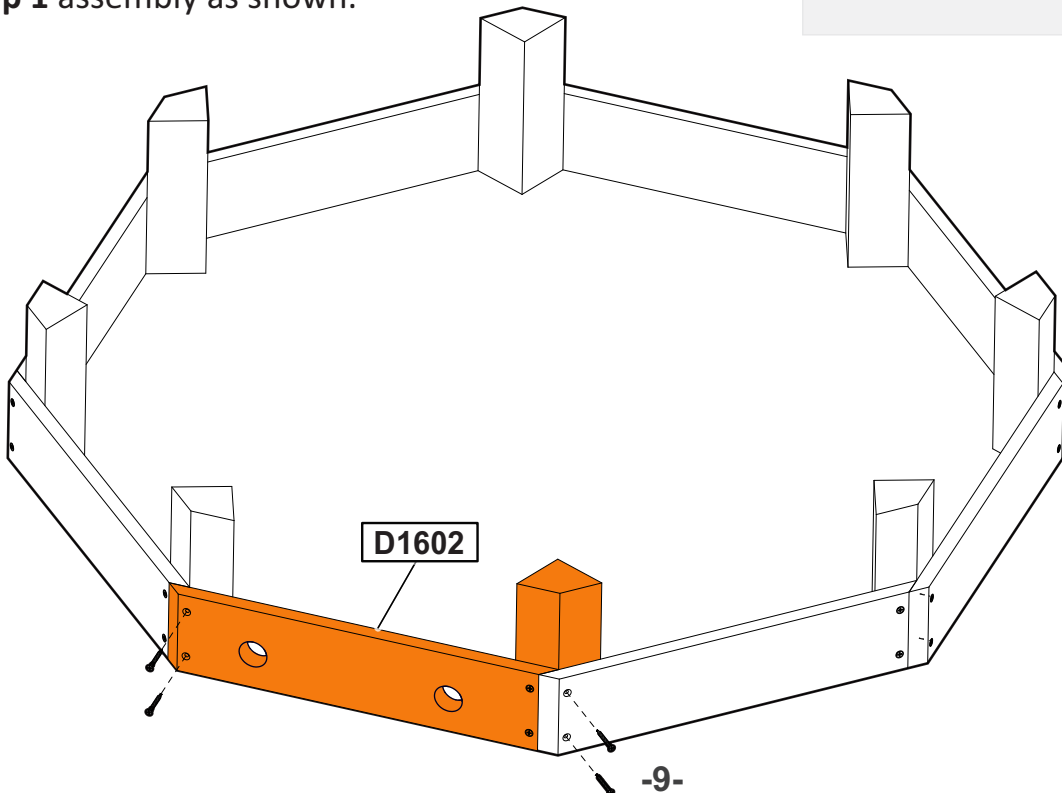
HARDWARE NEEDED (ACTUAL SIZE)



#8 X 1.625 WOOD SCREW
QTY. 2

STEP 9

Attach board **D1602/Step 2** Assembly to
Step 1 assembly as shown.



HARDWARE NEEDED (ACTUAL SIZE)



#8 X 1.625 WOOD SCREW
QTY. 4

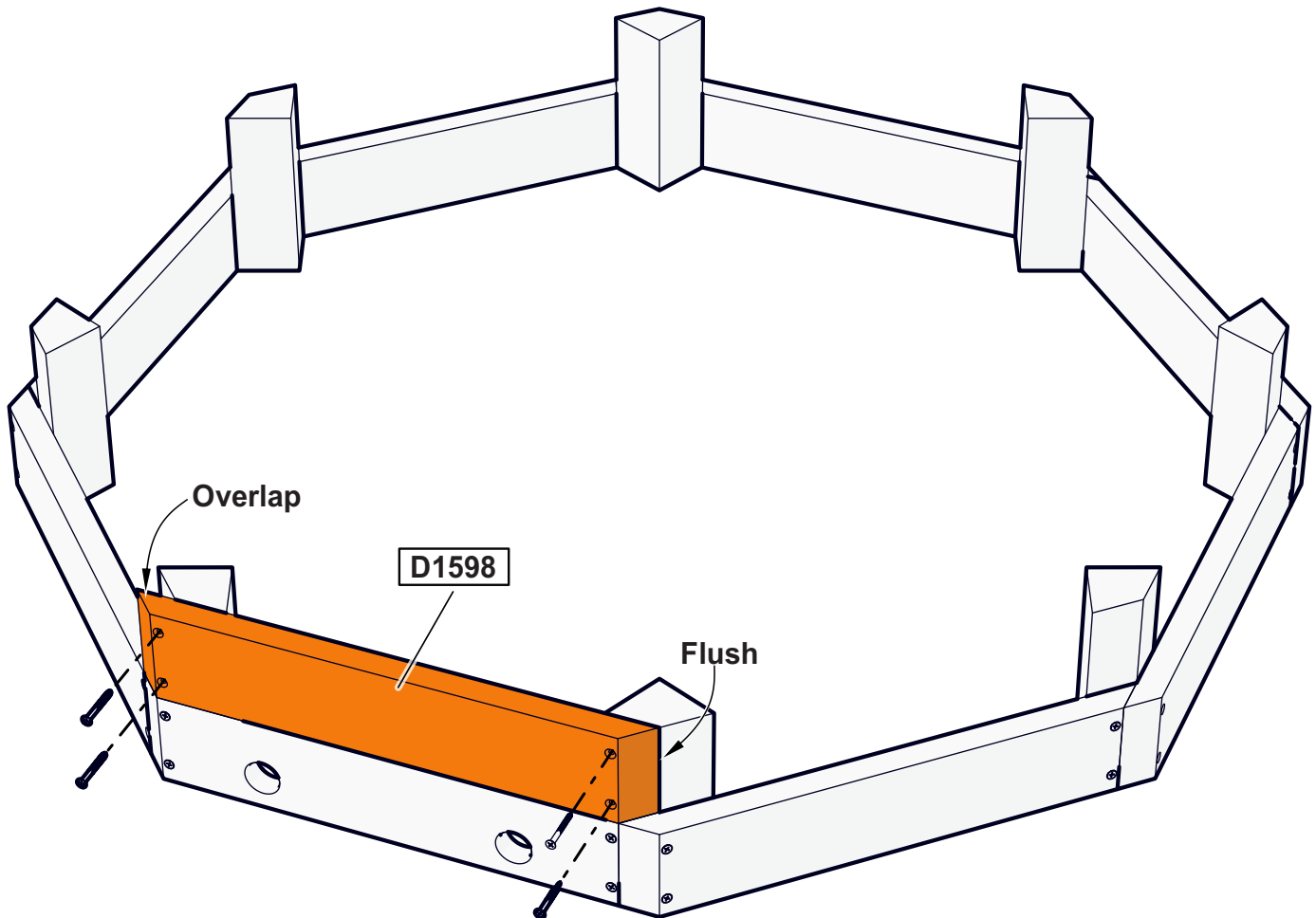
STEP 10

Attach **D1598** board as shown.

HARDWARE NEEDED (ACTUAL SIZE)



#8 X 1.625 WOOD SCREW
QTY. 4



NOTE: Please take notice of overlap and flush fit, same as bottom boards.

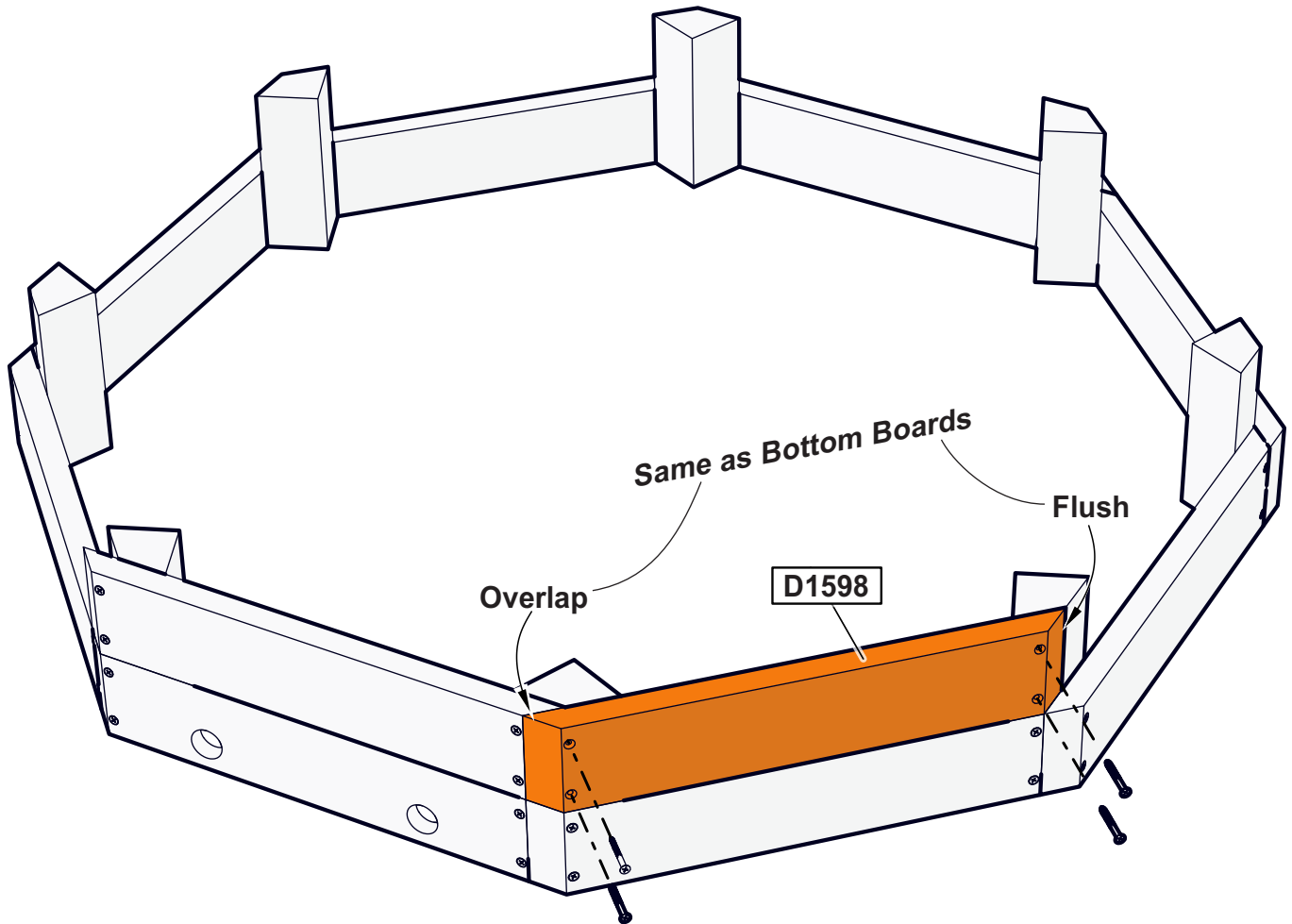
STEP 11

Attach **D1598** board as shown.

HARDWARE NEEDED (ACTUAL SIZE)



#8 X 1.625 WOOD SCREW
QTY. 4



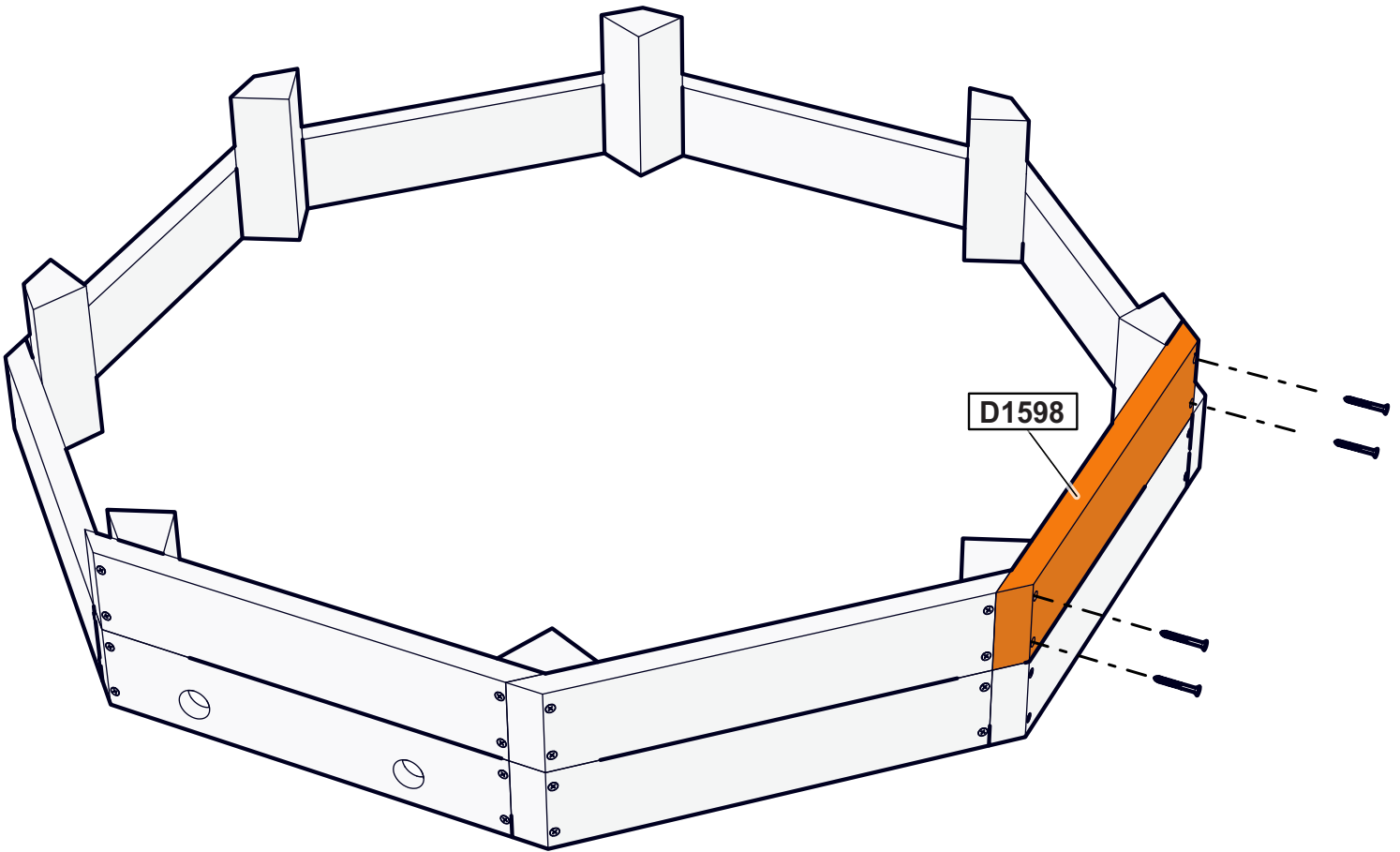
STEP 12

Attach **D1598** board as shown.

HARDWARE NEEDED (ACTUAL SIZE)



#8 X 1.625 WOOD SCREW
QTY. 4



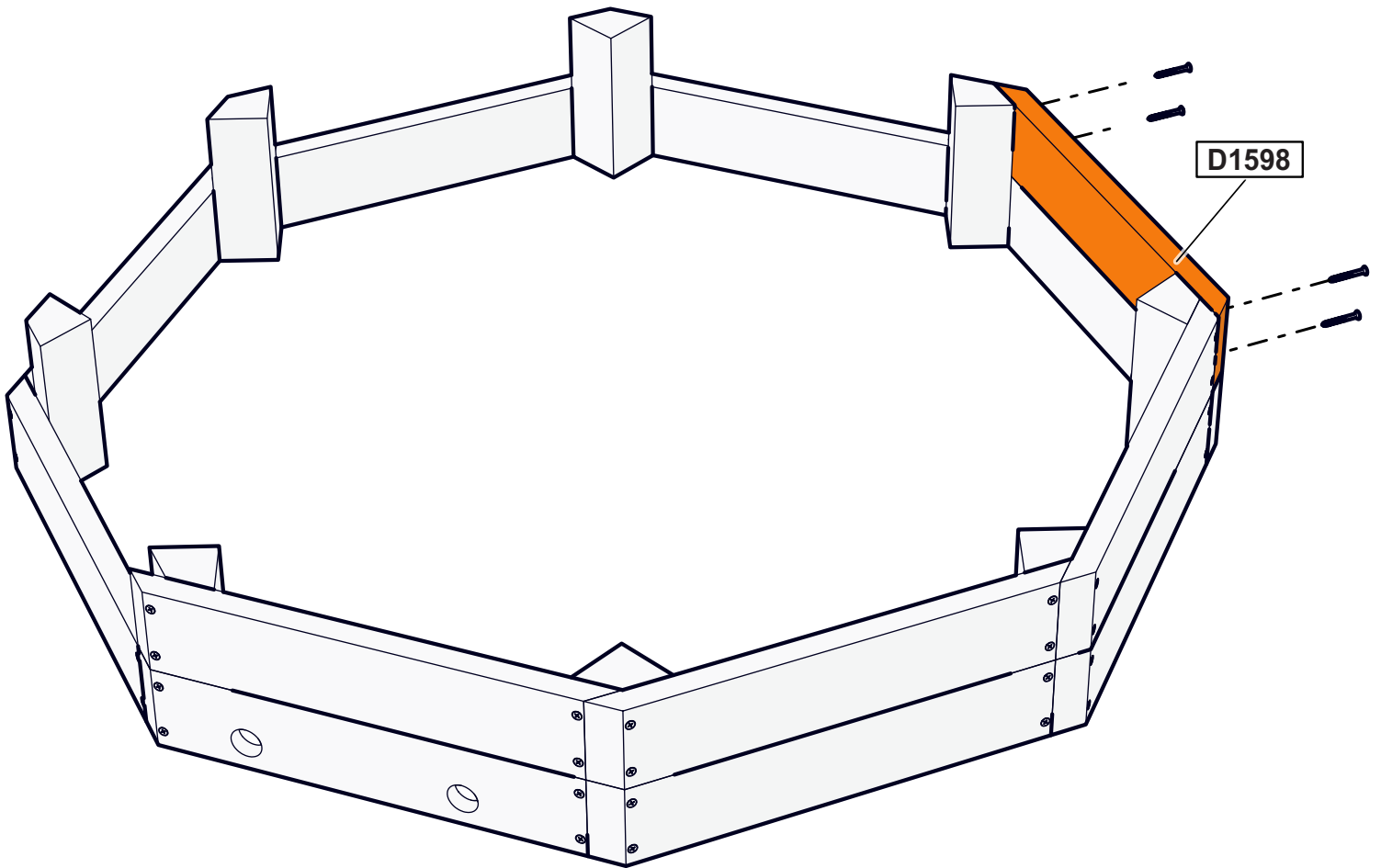
STEP 13

Attach **D1598** board as shown.

HARDWARE NEEDED (ACTUAL SIZE)



#8 X 1.625 WOOD SCREW
QTY. 4



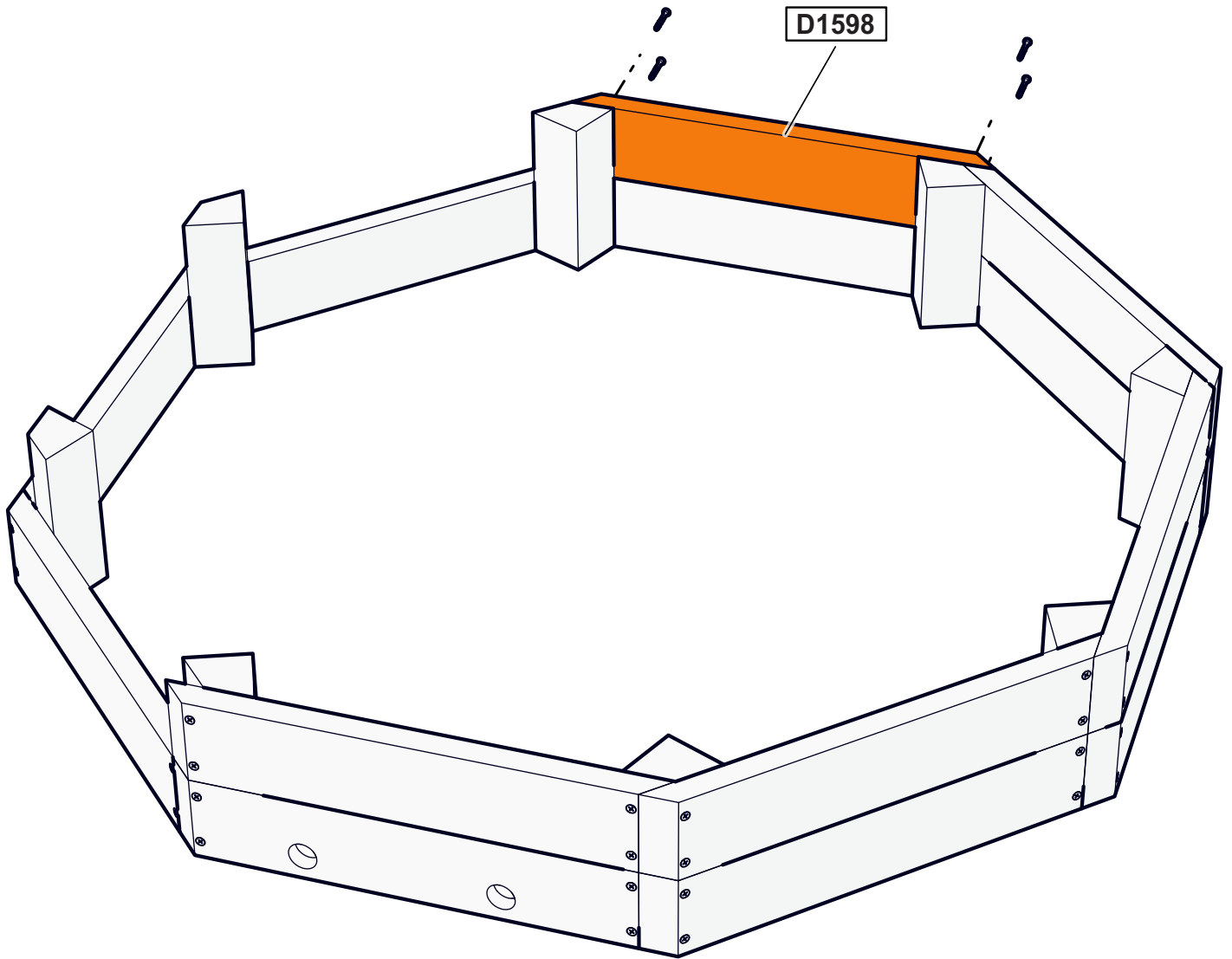
STEP 14

Attach **D1598** board as shown.

HARDWARE NEEDED (ACTUAL SIZE)



#8 X 1.625 WOOD SCREW
QTY. 4



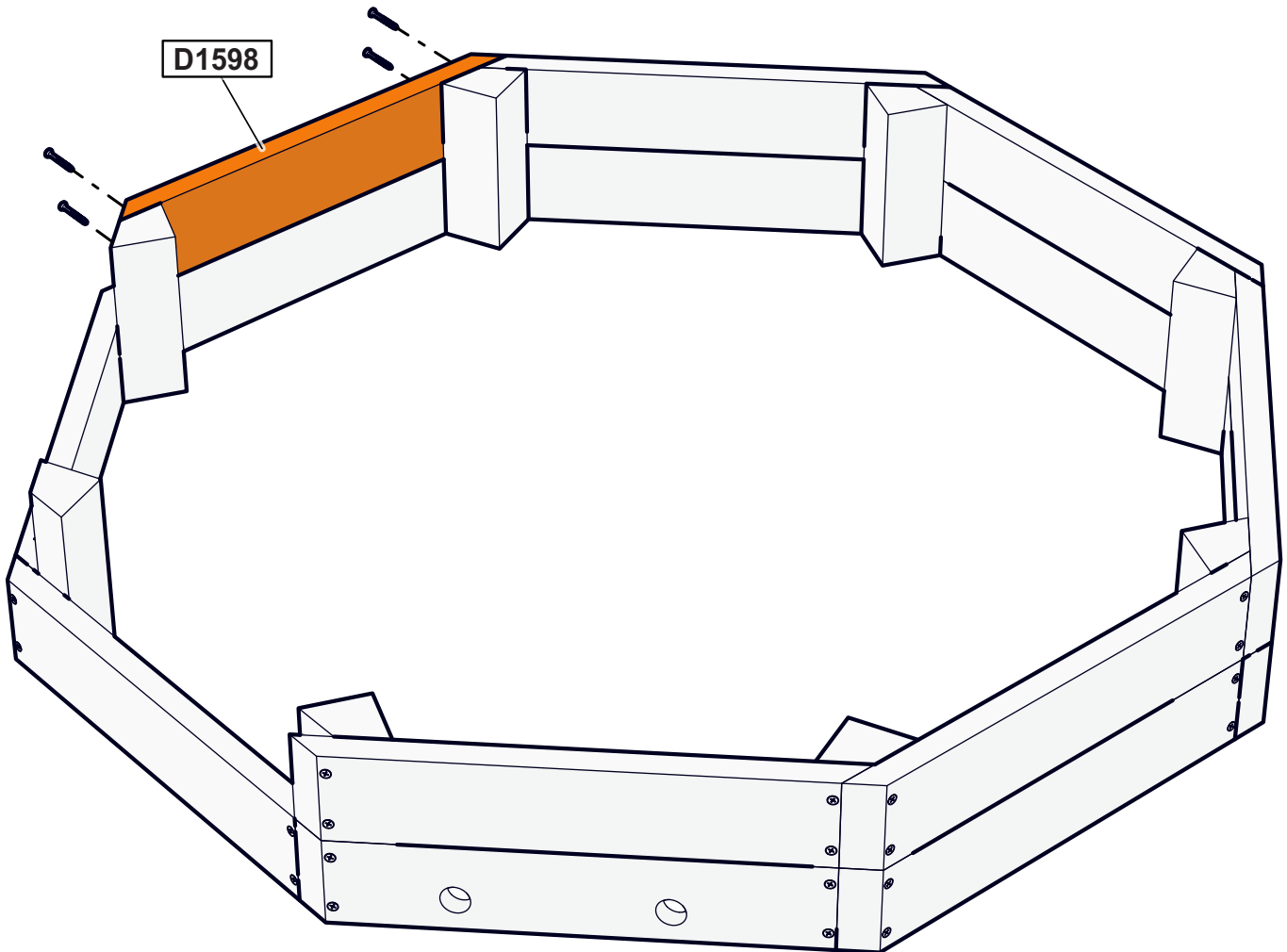
STEP 15

Attach **D1598** board as shown.

HARDWARE NEEDED (ACTUAL SIZE)



#8 X 1.625 WOOD SCREW
QTY. 4



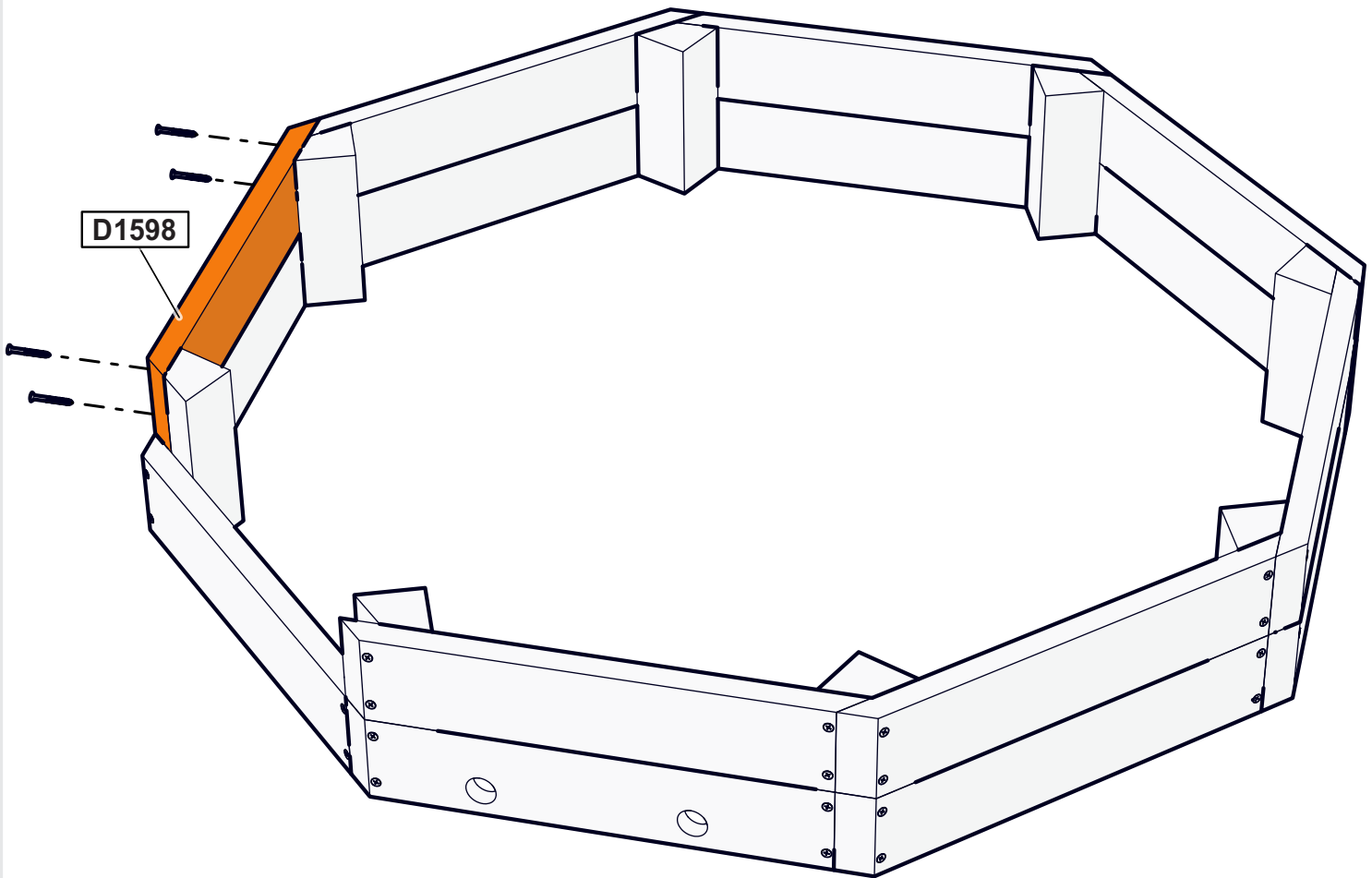
STEP 16

Attach **D1598** board as shown.

HARDWARE NEEDED (ACTUAL SIZE)



#8 X 1.625 WOOD SCREW
QTY. 4



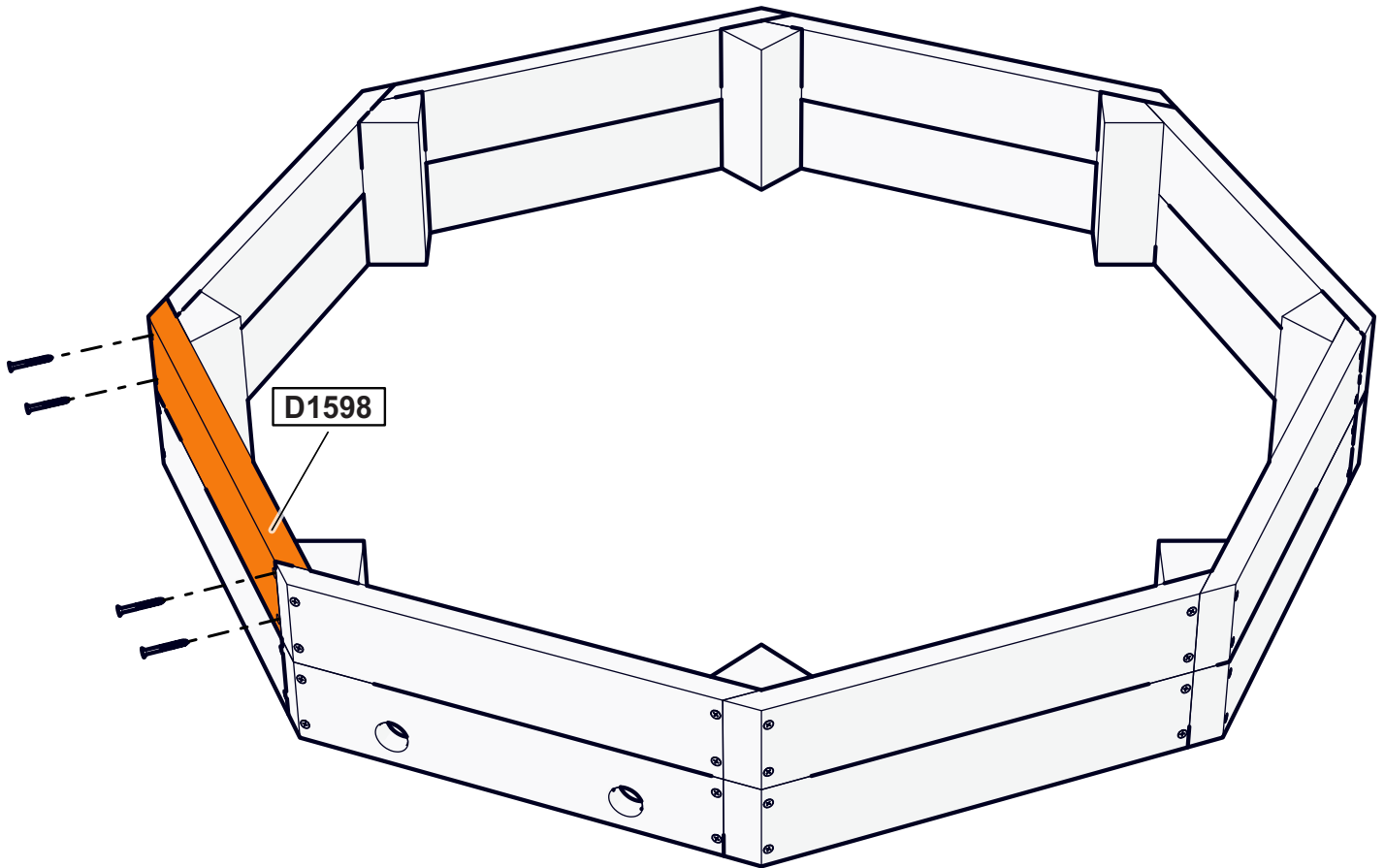
STEP 17

Attach **D1598** board as shown.

HARDWARE NEEDED (ACTUAL SIZE)

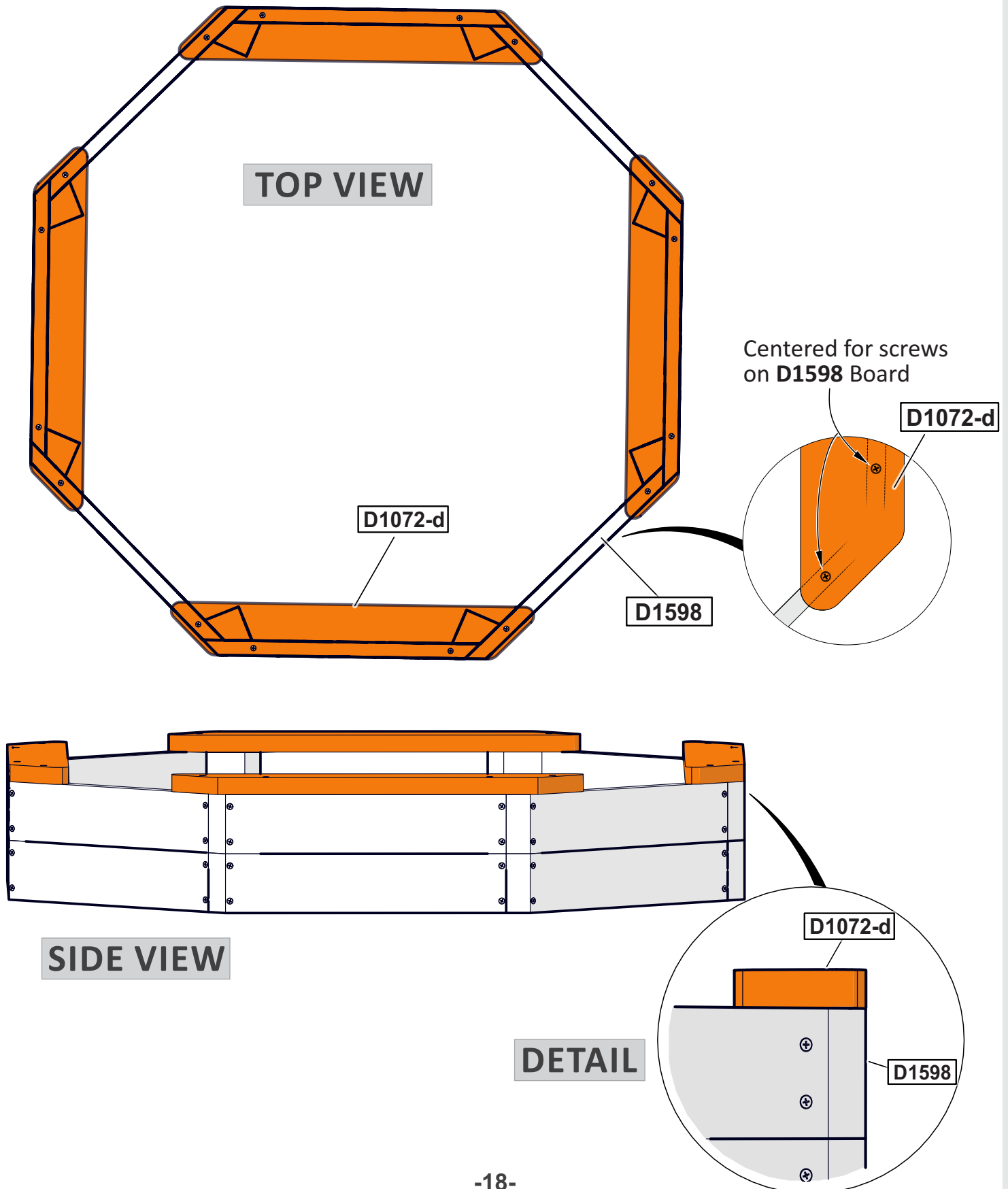


#8 X 1.625 WOOD SCREW
QTY. 4



STEP 18

Place four **D1072-d** Boards as shown but, do not screw down yet. Make sure Board **D1072-d** is flush with the **D1598** outer boards as shown in **Detail View** and **Side View**.



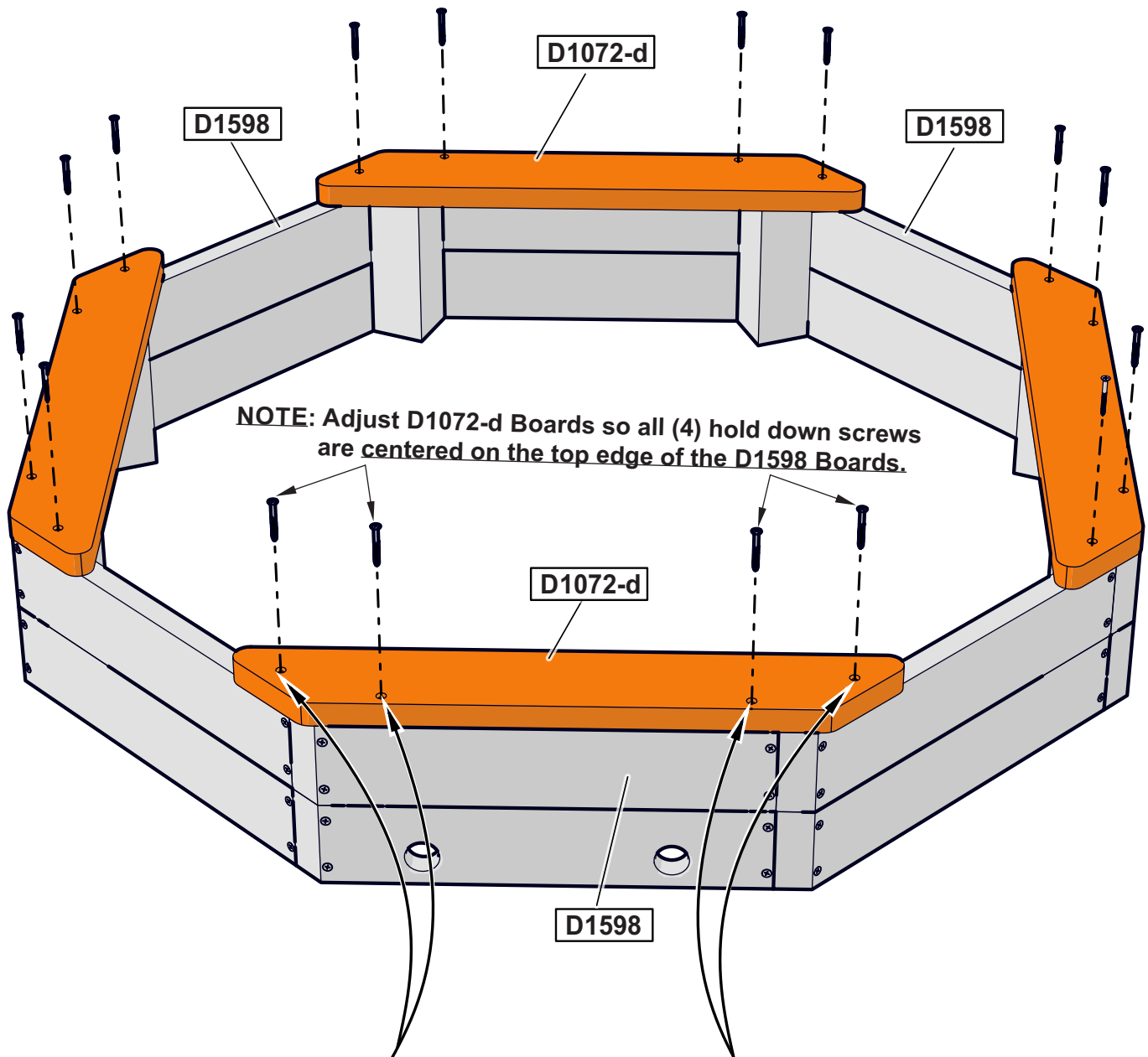
STEP 19

Attach **D1072-d** boards to **D1598** Boards as shown. Make sure the screws are centered on **D1598** boards.

HARDWARE NEEDED (ACTUAL SIZE)



#8 X 1.625 WOOD SCREW
QTY. 16



NOTE: Please place countersinks, in the **D1072-d** boards, for the #8 screw heads in the up/top position: #8 screws should be screwed in until **FLUSH**.

STEP 20

Place sand tarp **D1074** at the bottom of the Sandbox as shown before adding sand.

