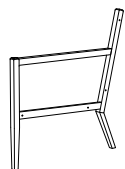
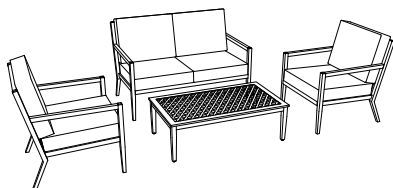


PARTS LIST / LISTE DES PIÈCES / LISTA DE PIEZAS

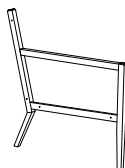
ITEM NO. / ARTICLE NO. / ARTICULO NO : DS-D476-700-1

DESCRIPTION / DESCRIPCIÓN : Loveseat & Coffee Table / Amant & Table à café / Constelación de amantes & Mesa de café



A

x1 Left Arm Panel
x1 Panneau du bras gauche
x1 Panel del brazo izquierdo



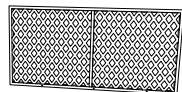
B

x1 Right Arm Panel
x1 Panneau de bras droit
x1 Panel del brazo derecho



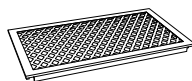
C

x1 Loveseat Seat Panel
x1 Panneau de siège de loveseat
x1 Panel del asiento del loveset



D

x1 Loveseat Back Panel
x1 Panneau arrière de la loveseat
x1 Panel trasero de la loveset



E

x1 Table Panel
x1 Panneau de table
x1 Panel de mesa



F

x4 Table Leg *
x4 Pied de table
x4 Pata de la mesa



G

x2 Seat Cushion
x2 Coussin de siege
x2 Cojín del asiento



H

x2 Back Cushion
x2 coussin de dos
x2 Amortiguador trasero



I

x18(Extra 1) M6*25mm Bolt *
x18(Extra 1) Boulon M6*25mm
x18(Extra 1) Perno M6*25mm



J

x18(Extra 1) M6 Washer *
x18(Extra 1) Rondelle M6
x18(Extra 1) Lavadora M6



K

x8(Extra 1) M6 Spring Washer *
x8(Extra 1) Rondelle à ressort M6
x8(Extra 1) Cojinetes de resorte M6



L

x1 M6 Allen Key *
x1 Clé allen m6
x1 Llave allen M6

* Replaceable Part

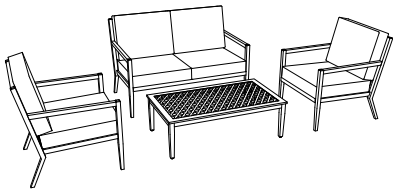
ASSEMBLY INSTRUCTIONS / NOTICE DE MONTAGE / INSTRUCCIONES DE MONTAJE

ITEM NO. / ARTICLE NO. / ARTICULO NO : DS-D476-700-1

DESCRIPTION / DESCRIPCIÓN : Loveseat & Coffee Table / Amant & Table à café / Constelación de amantes & Mesa de café

Step 1. Add Flat Washer (J) to 25mm Bolt (I). Attach Arm Panel (A) to Seat Panel (C) by inserting bolts and washers as shown using Allen Wrench (L).

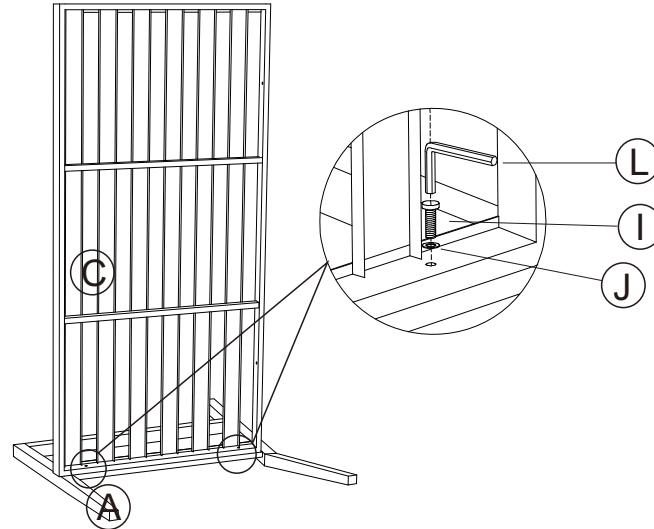
Step 2. Add Flat Washer (J) to 25mm Bolt (I). Attach Back Panel (D) to Arm Panel (A) by inserting bolts and washers as shown using Allen Wrench (L).



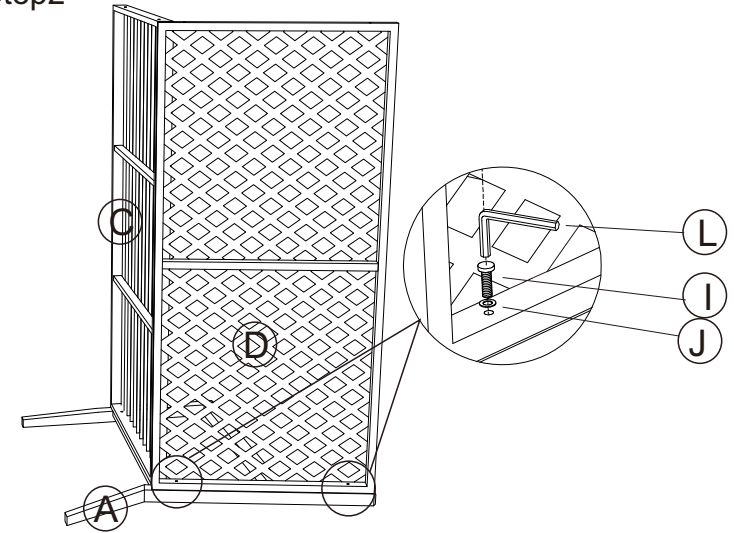
Step 3. Add Flat Washer (J) to 25mm Bolt (I). Secure Seat Panel (C) to Back Panel (D) by inserting bolts and washers as shown using Allen Wrench (L).

Step 4. Add Flat Washer (J) to 25mm Bolt (I). Attach Arm Panel (B) to Seat Panel (C) by inserting bolts and washers as shown using Allen Wrench (L).

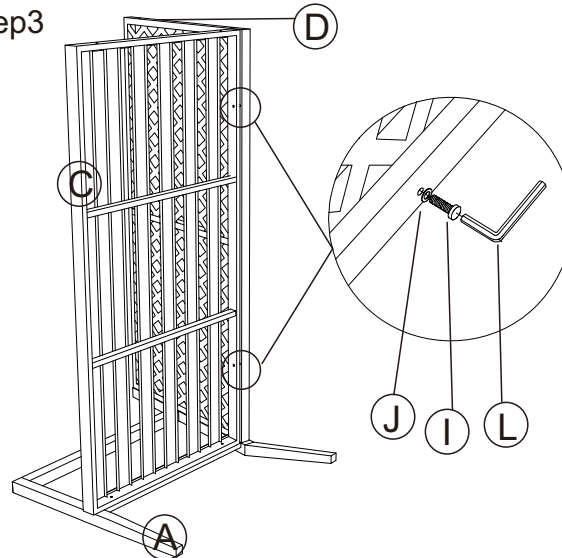
Step1



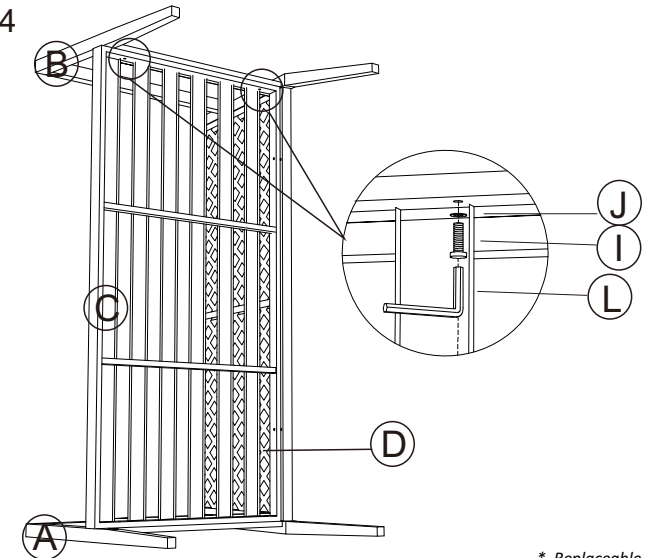
Step2



Step3



Step4



* Replaceable Part

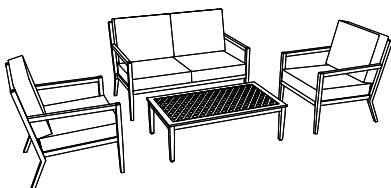
ASSEMBLY INSTRUCTIONS / NOTICE DE MONTAGE / INSTRUCCIONES DE MONTAJE

ITEM NO. / ARTICLE NO. / ARTICULO NO : DS-D476-700-1

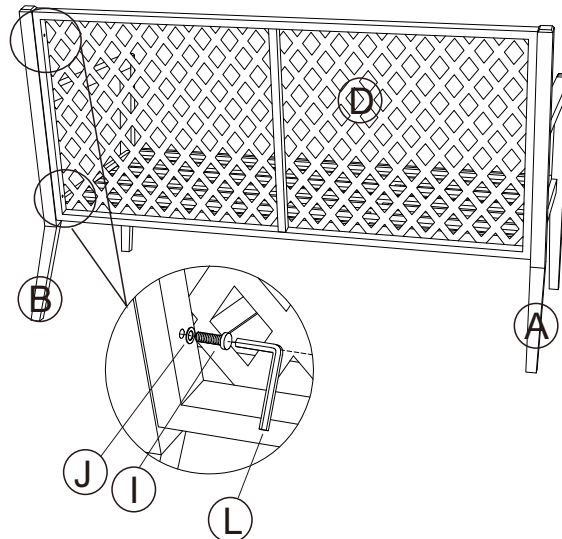
DESCRIPTION / DESCRIPCIÓN : Loveseat & Coffee Table / Amant & Table à café / Constelación de amantes & Mesa de café

Step 5. Add Flat Washer (J) to 25mm Bolt (I). Secure Back Panel (D) to Arm Panel (B) by inserting bolts and washers as shown using Allen Wrench (L).

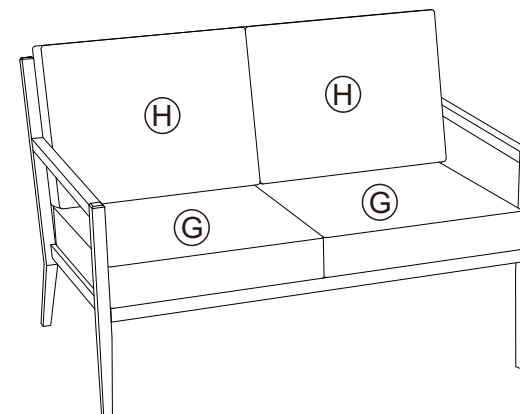
Step 6. Make sure that all bolt sare completely tightened, then add Seat Cushions (G) and Back Cushions (H).



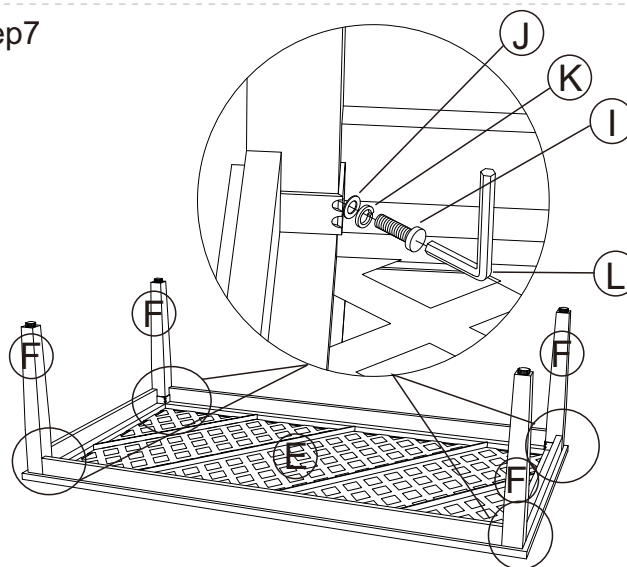
Step5



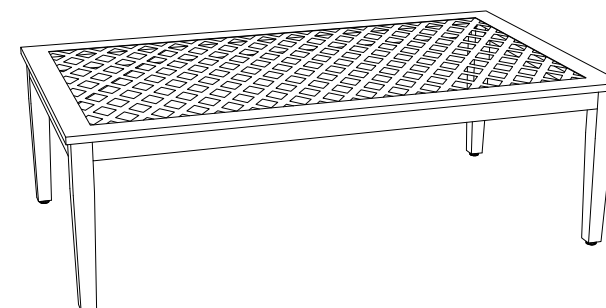
Step6



Step7



Step8



Step 7. Add Spring Washer (K) to 25mm Bolt (I), then add Flat Washer (J). Attach Legs (F) to Table Panel (E) using Allen Wrench (L). Two bolts will be used for each leg. Tighten all bolts completely.

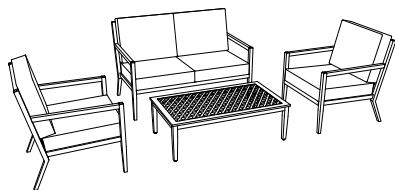
Step 8. Turn assembled table over on it's legs.

* Replaceable Part

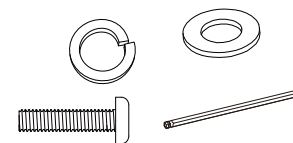
REPLACEABLE PARTS / PARTIE REMPLAÇABLE / PARTE REEMPLAZABLE

ITEM NO. / ARTICLE NO. / ARTICULO NO : DS-D476-700-1

DESCRIPTION / DESCRIPCIÓN : Loveseat & Coffee Table / Amant & Table à café / Constelación de amantes & Mesa de café



x4 RDS-D476-700-TABLE LEG - Table Leg *
Pied de table
Pata de la mesa



x1 RDS-D476-700-HWKIT - Hardware Kit *
Liste des pièces de quincaillerie
Lista del kit de materiales

* Replaceable Part