




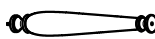



ASSEMBLY INSTRUCTION

ITEM: 5961-80191-89 Console Table

Thank you for purchasing this quality product. Be sure to unpack carefully looking for small parts which may have come loose during shipment.
Read all instruction and study the drawing carefully before starting the assembly process.

HARDWARE PACK				
NO.	DRAWING	DESCRIPTION	SIZE	Q'TY
A		Allen Wrench	73*29*5mm	1PC
B		Bolt	Ø5/16"	6PCS
C		Lock Washer	Ø5/16"	6PCS
D		Flat Washer	Ø5/16"	6PCS

PART LIST			
NO.	DRAWING	DESCRIPTION	Q'TY
A		Base Panel	1PC
B		Leg	6PCS
C		Top Panel	1PC

