



Scan for more information  
and to register this product.  
Para mayores informes, y para  
registrar este producto, escanee  
este código

Product distributed by Southwire Company, LLC  
Producto distribuido por Southwire Company, LLC

Call: 855-SWTOOLS (855-798-6657)  
or visit [www.southwiretools.com](http://www.southwiretools.com)  
Llame al 855-SWTOOLS (855-798-6657)  
o visite [www.southwiretools.com](http://www.southwiretools.com)

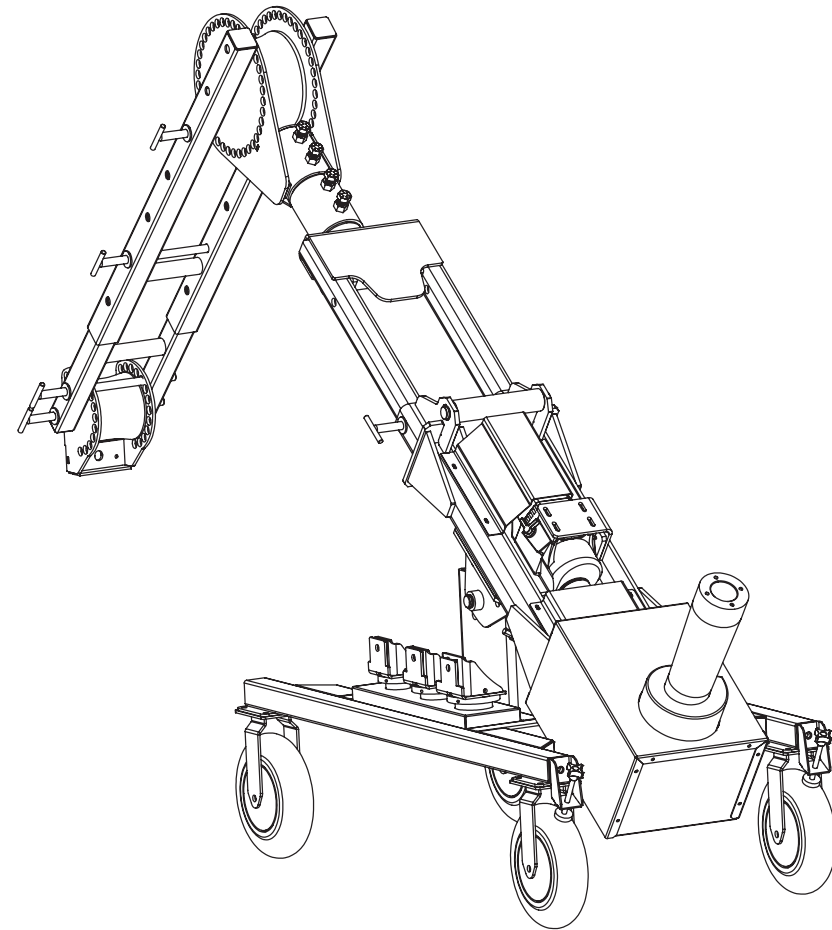
2/15  
XD10 Manual (V1)



**Southwire**<sup>TM</sup>  
Tools & Assembled Products Division

Operating Instructions

# Maxis<sup>®</sup> XD10 EXTREME Duty Puller



**CAUTION:** Please READ and UNDERSTAND all of the instructions  
and safety information in this manual and observe safe-working  
practices before operating or servicing this tool.



**BEFORE OPERATING THIS TOOL, READ AND UNDERSTAND ALL OF THE INSTRUCTIONS AND SAFETY INFORMATION IN THIS MANUAL**



**TABLE OF CONTENTS**

Important Safety Information.....2  
 Description of Operation.....3  
 Identification.....3  
 Operating Instructions.....4- 15  
 Maintenance.....16  
 Specifications .....17  
 Warranty.....18

**SAFETY FIRST**

Safety is essential in the use and maintenance of Southwire Contractor Equipment. This instruction manual and any markings on the tool provide information for avoiding hazards and unsafe practices related to the use of this tool. Observe all of the safety information provided in this manual.

	<p><b>SAFETY ALERT SYMBOLS</b></p> <p>These symbols are used to call attention to potential hazards or unsafe practices that could result in injury or property damage. The three safety words defined below indicate the severity of the hazard. The message after the signal word provides information for preventing or avoiding the hazard.</p>
<p><b>▲ DANGER</b></p>	
<p>Immediate hazards which, if not avoided, WILL result in severe injury or death.</p>	
<p><b>▲ WARNING</b></p>	
<p>Hazards which, if not avoided, COULD result in severe injury or death.</p>	
<p><b>▲ CAUTION</b></p>	
<p>Hazards or unsafe practices which, if not avoided, MAY result in injury or property damage.</p>	

	<p><b>▲ WARNING</b></p> <p>Read and understand all of the instructions and safety information in this manual before operating or servicing this tool.                  Failure to observe this warning could result in severe injury or death.</p>
--	--------------------------------------------------------------------------------------------------------------------------------------------------------------------------------------------------------------------------------------------------------

	<p><b>▲ WARNING</b></p> <p>Personal safety hazards</p>
<ul style="list-style-type: none"> <li>• Only qualified persons should use a <b>Maxis® XD10 EXTREME Duty Puller</b>.</li> <li>• Wear eye protection and a hard hat when using this tool.</li> <li>• Wear hand protection while using this tool.</li> <li>• Do not use tool while tired or under the influence of drugs, alcohol, or medication.</li> <li>• Keep body parts and loose clothing away from moving parts.</li> <li>• Always follow proper and customary safety procedures for operating equipment of this nature.</li> <li>• Keep clear of rope pulling path of travel as rope breakage could result in personal injury or death.</li> </ul>	

	<p><b>▲ WARNING</b></p> <p>Electrical Shock Hazards</p> <ul style="list-style-type: none"> <li>• This is not an insulated tool, contact with live circuits could result in severe injury or death.</li> </ul>
--	---------------------------------------------------------------------------------------------------------------------------------------------------------------------------------------------------------------

<p><b>▲ CAUTION</b></p>	
<ul style="list-style-type: none"> <li>• Using excessive force may result in personal injury or damage to the tool. If excessive force is required to complete a pull, verify there are no obstructions or that the wire pull calculations are acceptable and does not exceed the capacity of the tool.</li> <li>• Make sure to wear proper eye protection and stand clear of rope pulling path.</li> </ul>	

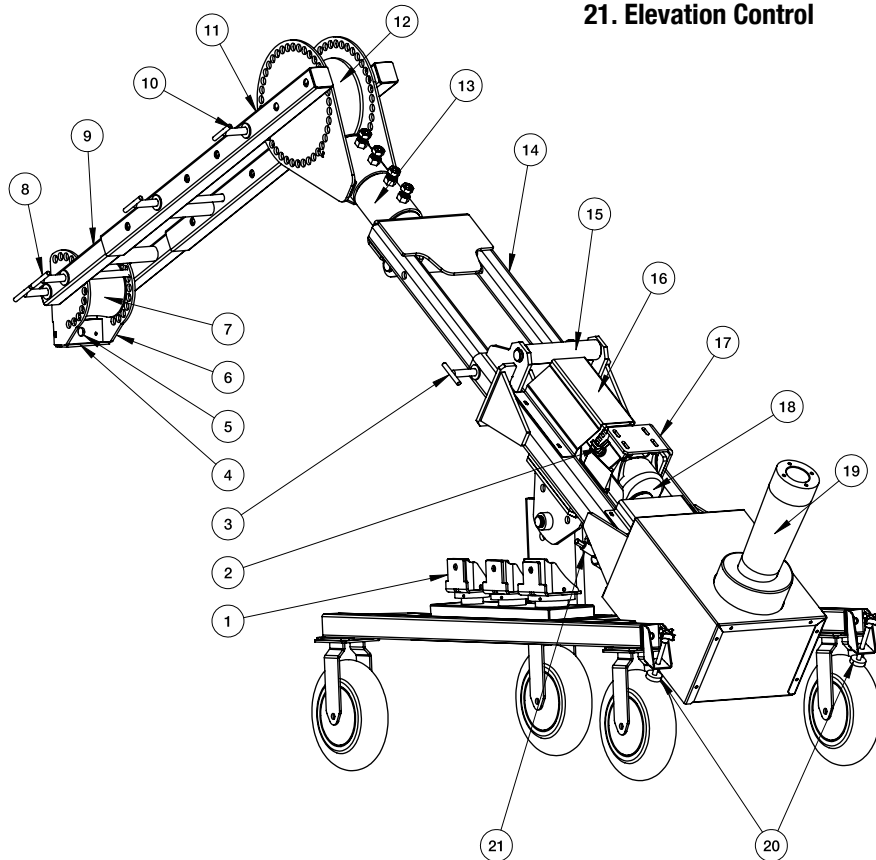
**FAILURE TO OBSERVE THESE WARNINGS CAN RESULT IN SEVERE INJURY OR DEATH**

## DESCRIPTION OF OPERATION

The Maxis® XD10 is a cable puller intended to pull medium to large wire through conduit. It sets up in only minutes and will pull up to 10,000 pounds.

## IDENTIFICATION

- |                                                  |                       |
|--------------------------------------------------|-----------------------|
| 1. Conduit Adaptors (size, 2, 2½, 3, 3½, 4 inch) | 11. Front Extension   |
| 2. High/Low Switch                               | 12. Main Roller       |
| 3. Main Hitch Pin                                | 13. Cylinder Neck     |
| 4. Adaptor Housing Bracket                       | 14. Mid-Frame         |
| 5. Adaptor Bolt 5/8 inch                         | 15. Idler Shaft       |
| 6. Front Roller Pivot                            | 16. Motor Cover       |
| 7. Front Roller                                  | 17. Motor Bracket     |
| 8. Front Roller Hitch Pin                        | 18. Motor             |
| 9. Front Extension                               | 19. Capstan           |
| 10. Front Extension Hitch Pin                    | 20. Brake             |
|                                                  | 21. Elevation Control |



3

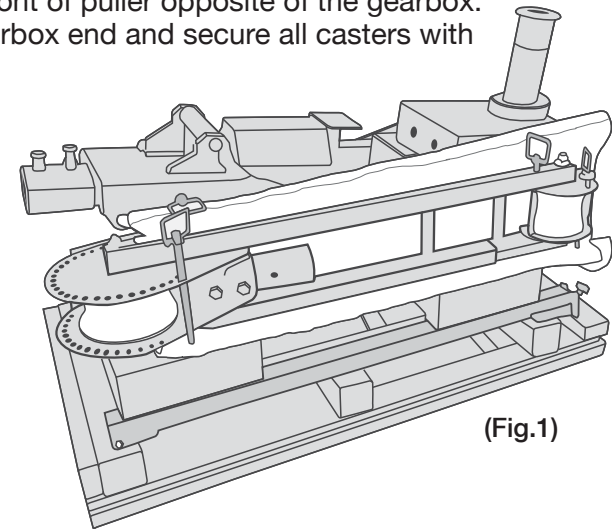
## SETUP AND OPERATION

### ASSEMBLY

Puller is shipped almost fully assembled.

There are two sets of enclosed casters; **swivel and set**. Place swivel caster at front of puller opposite of the gearbox. Place set casters at gearbox end and secure all casters with enclosed bolts, washers and lock nuts. (Fig.1).

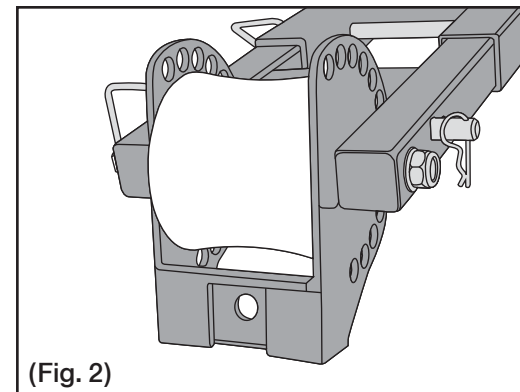
Attach forward main extension by securing with four 15/16" bolts to the cylinder neck.



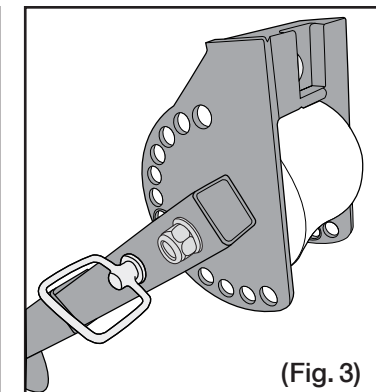
(Fig.1)

### ATTACHING CONDUIT ADAPTORS

- For underground pulls front roller pivot mount plate (housing bracket) (4) must be facing down (Fig. 2). For overhead pulls the front roller pivot mount plate must be facing up. (Fig. 3).



(Fig. 2)

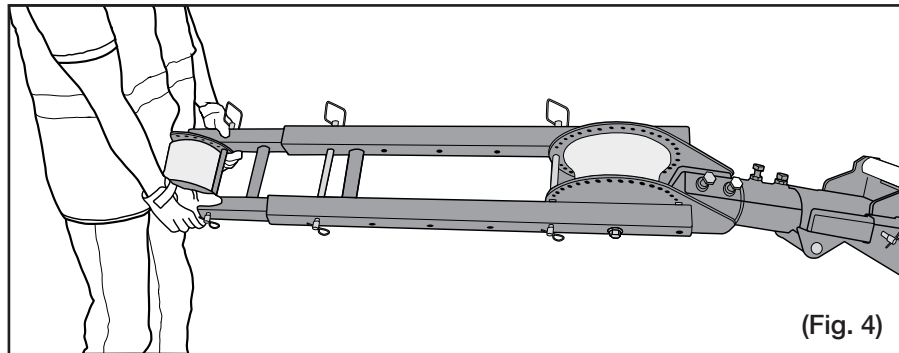


(Fig. 3)

4

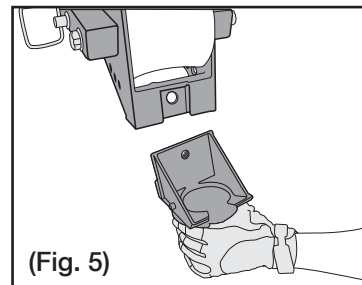
**SETUP AND OPERATION****ATTACHING CONDUIT ADAPTORS cont.**

To change Front Roller Pivot position, loosen 15/16" bolts on Cylinder Neck (13) and rotate Front Extension 180°, then re-tighten Cylinder Neck Bolts. (Fig.4).

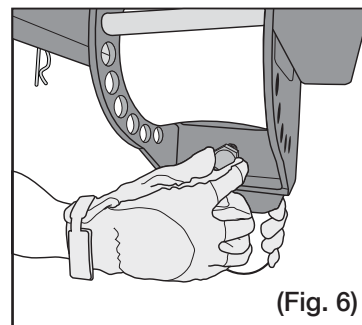


2. Remove 8 1/2" by 1/2" hitch pin (8) and swing front roller pivot (6) up.

3. Install desired conduit adapter (size 2, 2 1/2, 3, 3 1/2, 4). (Fig. 5).



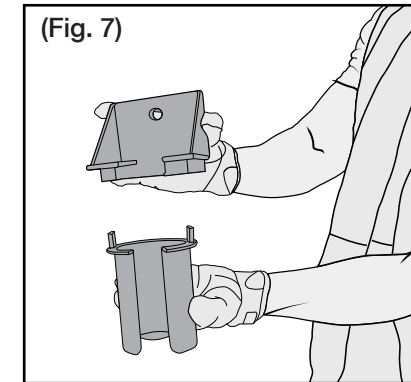
4. Screw in and hand-tighten 5/8" adaptor bolt (5). (Fig.6).



5

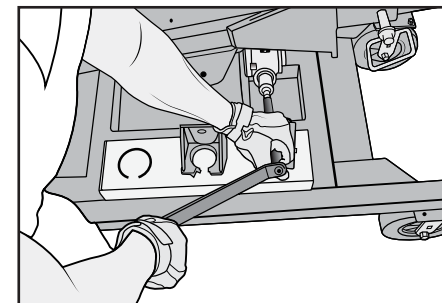
**SETUP AND OPERATION****ATTACHING CONDUIT ADAPTORS cont.**

5. For most underground pulls the bottom half of the adapter can be removed by unscrewing the two side Allen screws. (Fig. 7).

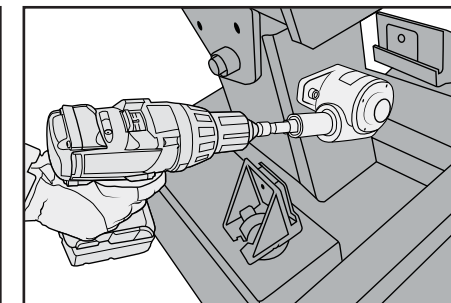
**PULLING OUT OF THE GROUND OR PANEL**

1. Always wear gloves and eye protection when working with pullers.
2. Attach proper conduit adaptor.
3. Use manual hand crank on elevation control (21) to manually adjust puller to level horizontal position by turning clockwise or counter clockwise. (Fig. 8)  
The use of an 18-volt drill on low setting with 7/16 nut driver can be used to raise or lower puller to horizontal position. (Fig. 9)

**CAUTION:** Drill should be in low gear with clutch engaged to prevent damage to gearing and prevent wrist injury.



(Fig. 8)

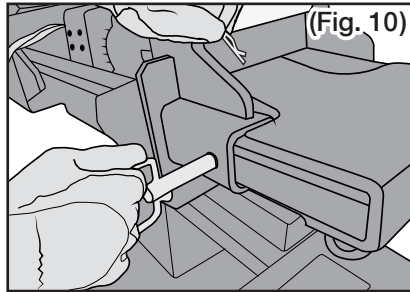


(Fig. 9)

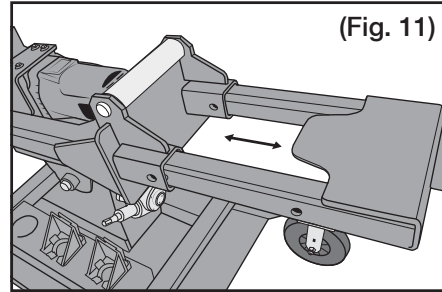
6

**SETUP AND OPERATION****PULLING OUT OF THE GROUND OR PANEL cont.**

4. Pull Mid-Frame Hitch Pin and telescope mid-frame to desired length and reinstall pin. (Figs. 10, 11)



(Fig. 10)



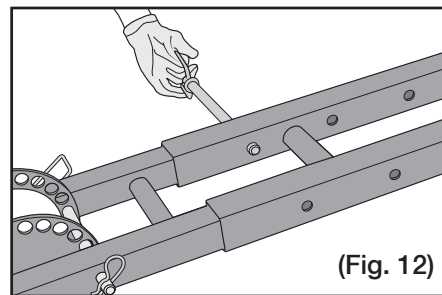
(Fig. 11)

5. Use manual hand crank on elevation control (21) to manually adjust puller to elevated position by turning clockwise.

The use of an 18-volt drill on low setting with 7/16 nut driver can be used to raise puller to elevated position.

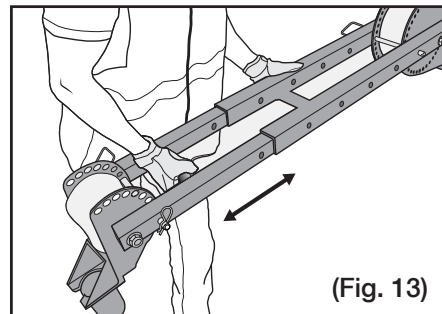
**CAUTION:** Drill should be in low gear with clutch engaged to prevent damage to gearing and prevent wrist injury.

6. Pull front extension hitch pin (10) and adjust front extension to desired angle. Save pin to reinstall at a later step. (Fig. 12)



(Fig. 12)

7. Adjust front extension (9) to proper length by removing pin and sliding arm extension inward or outward and save pin to reinstall at a later step. (Fig. 13)

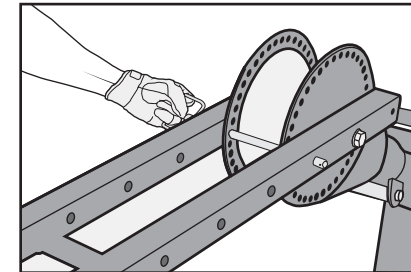


(Fig. 13)

7

**SETUP AND OPERATION****PULLING OUT OF THE GROUND OR PANEL cont.**

8. Adjust front roller pivot (6) by removing pin and positioning to proper angle. (Fig. 14)

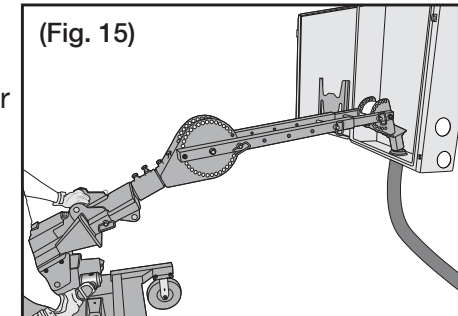


(Fig. 14)

9. Use manual hand crank on elevation control (21) to manually adjust puller to proper position in conduit. The use of an 18-volt drill on low setting with 7/16 nut driver can be used to adjust puller position.

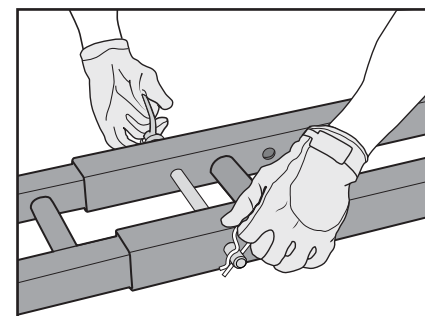
**CAUTION:** Drill should be in low gear with clutch engaged to prevent damage to gearing and prevent wrist injury.

10. Lift Front End Assembly by use of manual hand crank on elevation control (21) and lower conduit adaptor into conduit. (Fig. 15)

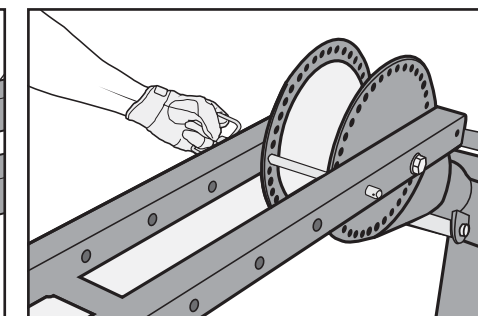


(Fig. 15)

11. Replace Front Extension Hitch Pin (10) and Front Roller Hitch Pin (8) into desired angle. (Figs. 16, 17)



(Fig. 16)

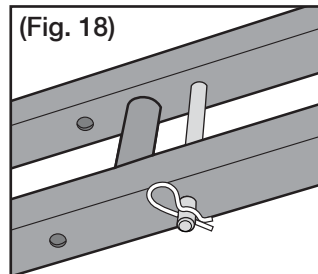


(Fig. 17)

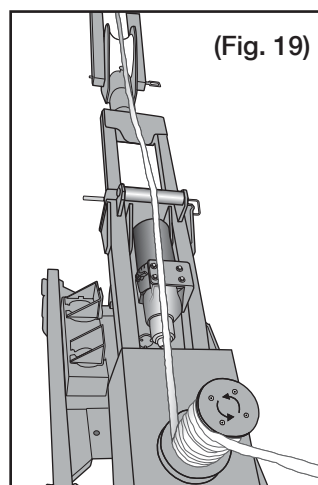
8

**SETUP AND OPERATION****PULLING OUT OF THE GROUND OR PANEL cont.**

12. Make sure all hitch pins are secure with a locking cotter pin. (Fig. 18)



13. Route rope through conduit adaptor and over front roller (7), then position rope **over** main roller followed by back mid-frame roller and onto the capstan (19). (Fig. 19)

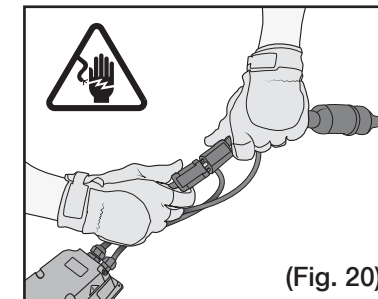


**CAUTION:** Drill should be in low gear with clutch engaged to prevent damage to gearing and prevent wrist injury.

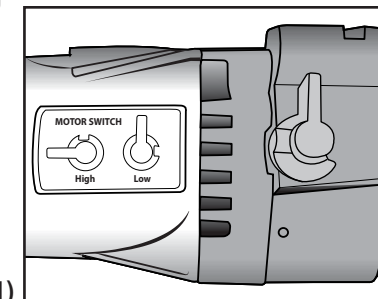
14. Wrap rope around the capstan (19) in a counter-clockwise direction, working from the base of the capstan to the top.
15. Do not stand in line (in front or behind) with the rope being pulled (stand to the side of the puller) to avoid injury if the rope breaks.

**SETUP AND OPERATION****PULLING OUT OF THE GROUND OR PANEL cont.**

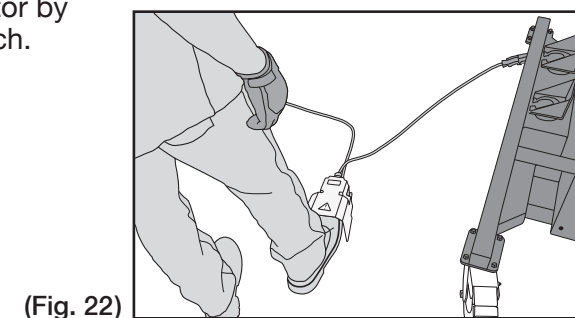
16. Plug puller power cord into pigtail adaptor, then plug pigtail adaptor into foot switch and plug into the power source. (Fig. 20)



17. Prior to starting motor ensure motor is set on desired gear position using the high/low switch (2). (Fig. 21)



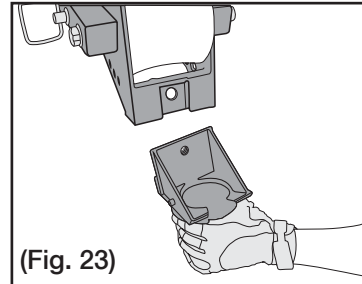
18. Start the electric motor by depressing foot switch. (Fig. 22)



19. Pull on the rope to produce some tension. The rope will begin to advance.

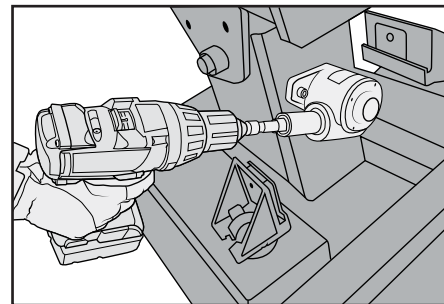
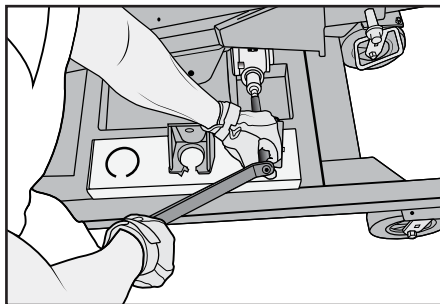
**SETUP AND OPERATION****OVERHEAD PULL**

1. Always wear gloves and eye protection when working with pullers.
2. Attach proper conduit adaptor (Fig. 23). Screw in and hand-tighten 5/8" adaptor bolt (5).



3. Use manual hand crank on elevation control (21) to manually adjust puller to level horizontal position by turning clockwise or counter clockwise (Fig. 24). The use of an 18-volt drill on low setting with 7/16 nut driver can be used to raise or lower puller to horizontal position. (Fig. 25).

**⚠ CAUTION:** Drill should be in low gear with clutch engaged to prevent damage to gearing and prevent wrist injury.

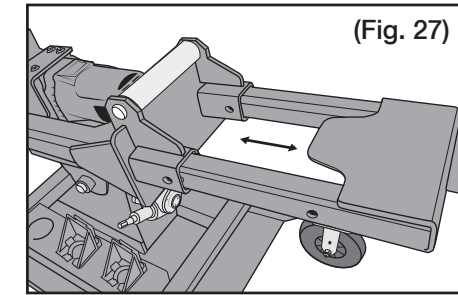
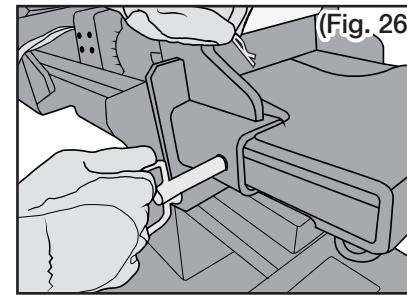


(Fig. 24)

(Fig. 25)

**SETUP AND OPERATION****OVERHEAD PULL cont.**

4. Pull Mid-Frame Hitch Pin and pull Mid-Frame (14) out until it is in its fully extended position. Mid-Frame **MUST** be in the full extended position for overhead pulls. (Figs. 26, 27)

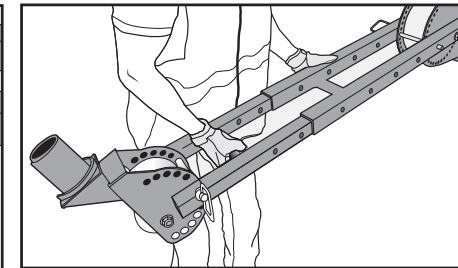
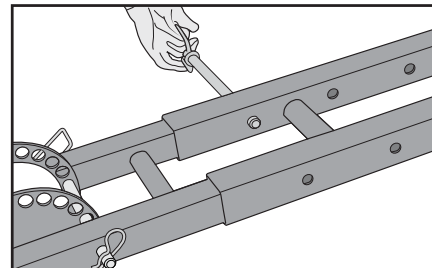


5. Use manual hand crank on elevation control (21) to manually adjust puller to elevated position by turning clockwise. The use of an 18-volt drill on low setting with 7/16 nut driver can be used to raise puller to elevated position.

**⚠ CAUTION:** Drill should be in low gear with clutch engaged to prevent damage to gearing and prevent wrist injury.

6. Remove front extension (9) by pulling pin (10) and sliding extension outward (Fig. 28) and invert 180 degrees (Fig. 29).

Reinstall with conduit adaptor facing upwards and adjust to proper length by sliding arm extension inward or outward and save pin to reinstall at a later step.

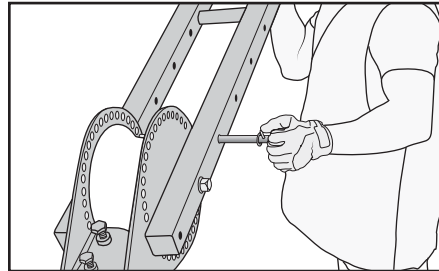


(Fig. 28)

(Fig. 29)

**SETUP AND OPERATION****OVERHEAD PULL cont.**

7. Adjust front roller pivot (6) by removing pin and positioning to proper angle saving pin to install at a later step. (Fig 30)

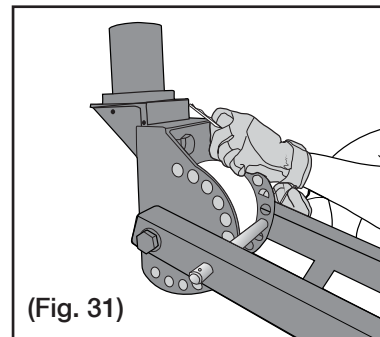


(Fig. 30)

8. Use manual hand crank on elevation control (21) to manually adjust puller to proper position in conduit. The use of 18 volt drill on low setting with 7/16 nut driver can be used to adjust puller position.

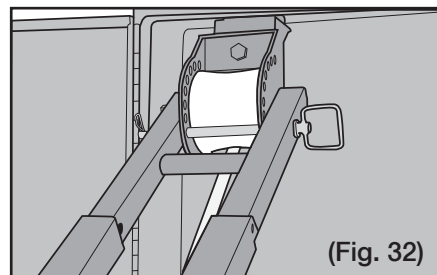
**CAUTION:** Drill should be in low gear with clutch engaged to prevent damage to gearing and prevent wrist injury.

9. Replace Front Extension Hitch Pin (10) and Front Roller Hitch Pin (8) into desired angle. (Fig. 31)



(Fig. 31)

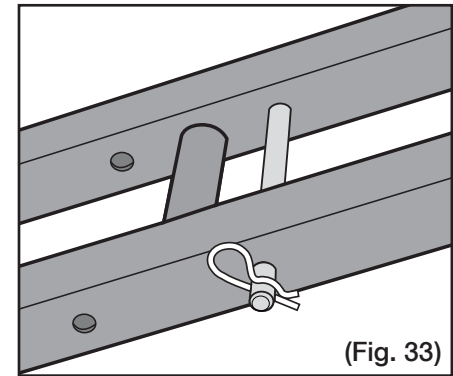
10. Use manual hand crank on elevation control (21) to lift front end assembly and insert conduit adaptor into conduit or lift higher into panel can (refer to Fig. 8). (Fig.32)



(Fig. 32)

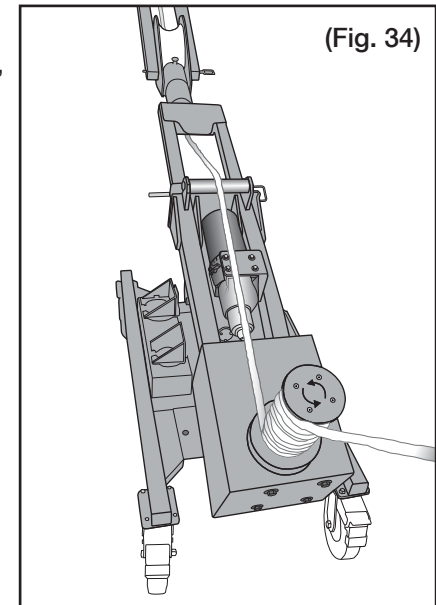
**SETUP AND OPERATION****OVERHEAD PULL cont.**

11. Make sure all hitch pins are secure with a locking cotter pin. (Fig. 33)



(Fig. 33)

12. Route rope through conduit adaptor and under front roller (7), then position rope under forward mid-frame roller followed by back mid-frame roller and onto the capstan (19). (Fig. 34).



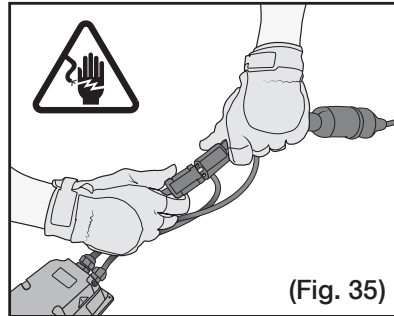
(Fig. 34)

13. Wrap rope around the capstan (19) in a counter-clockwise direction, working from the base of the capstan to top.
14. Do not stand in line (in front or behind) with the rope being pulled (stand to the side of the puller) to avoid injury if the rope breaks.

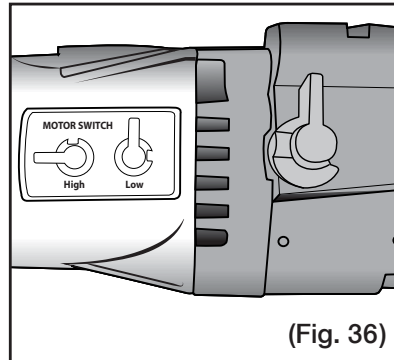


**SETUP AND OPERATION****OVERHEAD PULL cont.**

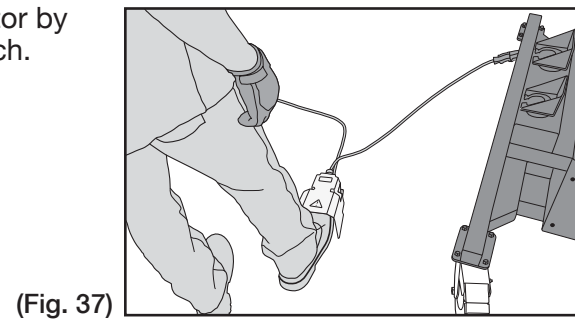
15. Plug puller power cord into pigtail adaptor than plug pigtail adaptor into foot switch and plug into the power source. (Fig. 35)



16. Prior to starting motor insure motor is set on desired gear position using the high/low switch (2). (Fig. 36)



17. Start the electric motor by depressing foot switch. (Fig. 37)



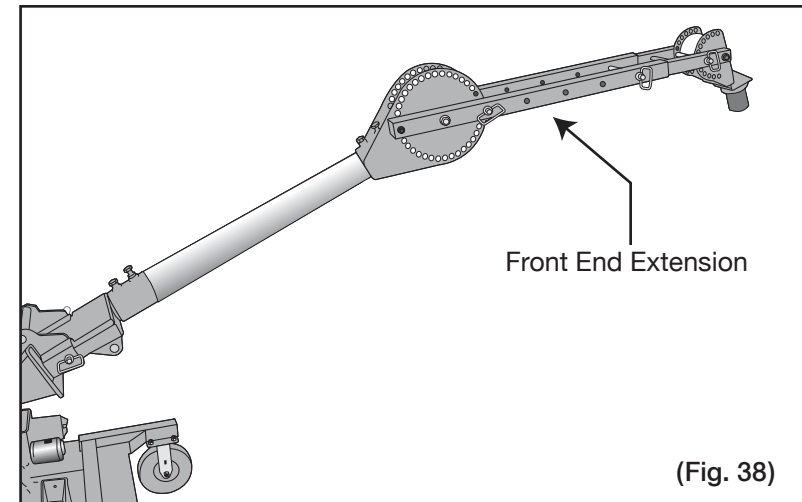
18. Pull on the rope to produce some tension. The rope will begin to advance.

**ADDITIONAL HELP****TROUBLE SHOOTING**

1. To add extra length to the Front End Extension, loosen 15/16" bolts from the Cylinder Neck (13) and remove the Cylinder Neck and set aside.

Insert a 3-inch rigid conduit cut to your desired length.

Replace Main Roller (12) at the end of the conduit and firmly tighten all (4) 15/16" bolts. (Fig. 38)

**MAINTENANCE**

- Gearbox is filled with high temperature lubricating grease. No maintenance is required.

**ADDITIONAL HELP****SPECIFICATIONS**

- **Model # XD10**
- **Stock # 59190402**

**Length (folded):** 70 inches

**Width:** 26 inches

**Height Folded:** 40 inches

**Height Extension:** 10 feet

**Length Extension:** 11 feet

**Weight:** 598 lbs.

**Pulling Speed Low:**

<b>At 2,000 lbs.</b>	11fpm
<b>At 4,000 lbs.</b>	10fpm
<b>At 6,000 lbs.</b>	9fpm
<b>At 8,000 lbs.</b>	8fpm
<b>At 10,000 lbs.</b>	7fpm

**Pulling Speed High:**

<b>At 2000 lbs.</b>	21fpm
<b>At 4000 lbs.</b>	18fpm
<b>Recommended Pulling Rope Size:</b>	9/16" QWIKrope™, 7/8" Double-Braided or 1" Double-Braided pulling rope with minimum breaking strength of 30,000 lbs.

**WARRANTY INFORMATION****LIMITED WARRANTY****WARRANTY ON SOUTHWIRE CONTRACTOR EQUIPMENT**

With respect to new Southwire Tools and Assembled Products, Southwire Company, LLC warrants as follows: Each Southwire Tools and Assembled Products product will be free from defects in materials and workmanship for a period of one year from the date on which the product is delivered to the end user. This warranty does not cover normal wear and tear resulting from product use, nor does it cover damage arising out of misuse, abuse, modification, and/or improper product maintenance. This warranty also does not cover Southwire Tools and Assembled Products that have been modified by any party other than Southwire Company, LLC.

This limited warranty is not transferrable to or enforceable by any person other than the product's original end user.

Southwire will, at its option, repair or replace defective products or defective product components, free of charge. Defective products and product components should be shipped to Southwire at the below address. Southwire will cover standard freight charges (i.e., parcel post or UPS Ground rate) incurred in connection with products that Southwire ultimately determines to be defective.

Southwire will ship repaired or replacement products to the Distributor, freight prepaid. The remedy set forth in this Limited Warranty section constitutes the Distributor's and original end user's exclusive remedy for defective Southwire Tools and Assembled Products.

**SOUTHWIRE MAKES NO WARRANTY THAT SOUTHWIRE TOOLS AND ASSEMBLED PRODUCTS WILL BE MERCHANTABLE OR FIT FOR ANY PARTICULAR PURPOSE. SOUTHWIRE MAKES NO OTHER WARRANTY, EXPRESSED OR IMPLIED, OTHER THAN THE WARRANTY SPECIFICALLY SET FORTH IN THIS LIMITED WARRANTY SECTION. SOUTHWIRE WILL NOT BE LIABLE FOR ANY INCIDENTAL, CONSEQUENTIAL, INDIRECT, SPECIAL, OR PUNITIVE DAMAGES FOR ANY BREACH OF THIS LIMITED WARRANTY.**

**DISTRIBUTOR WARRANTY CLAIM PROCEDURE**

1. All warranty claims must be pre-approved by the Southwire Tools and Assembled Products Warranty Department.
2. All end user warranty claims must be handled through Distributor.
3. Warranty claims limited to replacement or repair of defective items per the Limited Warranty above. Distributor credit will not be issued.
4. Distributors must obtain a written Product Return Authorization before returning any allegedly defective product to Southwire. All returned products must be accompanied by a copy of the Product Return Authorization.
5. Products and accompanying Product Return Authorizations should be shipped to Southwire at the below address.
6. The product serial number and the original date of delivery must be set forth on the Product Return Authorization.
7. All defective components and defective products that Southwire replaces under the Limited Warranty will become Southwire's property and will be retained by Southwire.

**CUSTOMER SERVICE**

For all warranty, customer service, and product return authorizations and inquiries, please contact Southwire Tools and Assembled Products at:

**Southwire™ Tools & Assembled Products Division**

840 Old Bremen Road  
Carrollton, GA, 30117  
Phone Number: 1.855.SW.Tools