

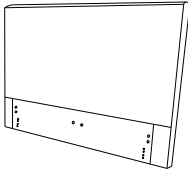
ONE COLLECT. UPHOLSTERED STORAGE BED FULL/QUEEN ASSEMBLY INSTRUCTIONS



BOX#1

A. HEADBOARD

1 PC



HARDWARE KIT PACKED IN BOX #1

1	ALLEN BOLT(1/4"x1")		8 PCS
2	FLAT WASHER(5/16")		8 PCS
3	LOCK WASHER(5/16")		8 PCS
4	ALLEN KEY(1/4")		1 PC

BOX#2

B. LEFT SIDE RAIL

1 PC

C. RIGHT SIDE RAIL

1 PC

D. FOOTBOARD

1 PC

E. SLAT

26 PCS

F. CENTER SLAT SUPPORT

1 PC

G. SIDE RAIL SLAT CLIP

26 PCS

H. CENTER SUPPORT SLAT CLIP

13 PCS

I. SLAT SUPPORT LEG

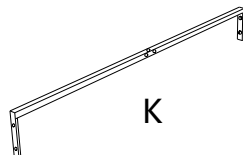
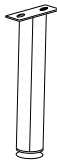
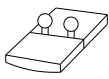
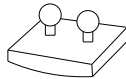
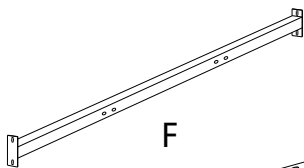
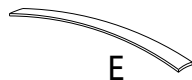
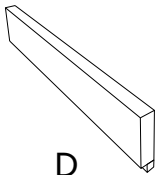
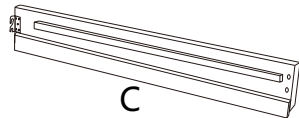
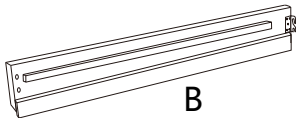
2 PCS

J. METAL SUPPORT LEG

1 PC

K. METAL SUPPORT BRACE

1 PC



HARDWARE KIT PACKED IN BOX #2

1	ALLEN BOLT(5/16"x1")		6 PCS
2	ALLEN BOLT(5/16"x2-1/2")		7 PCS
3	FLAT WASHER(5/16")		19 PCS
4	LOCK WASHER(5/16")		13 PCS
5	WRENCH(5/16")		1 PC
6	ALLEN KEY(5/16")		1 PC
7	HEX NUT(5/16"x12)		6 PCS

HARDWARE KIT PACKED IN BOX #3

1	ALLEN BOLT(1/4"x1-1/4")		8 PCS
2	ALLEN BOLT(1/4"x5/8")		12 PCS
3	FLAT WASHER(1/4")		8 PCS
4	LOCK WASHER(1/4")		8 PCS
5	ALLEN KEY(1/4")		1 PC

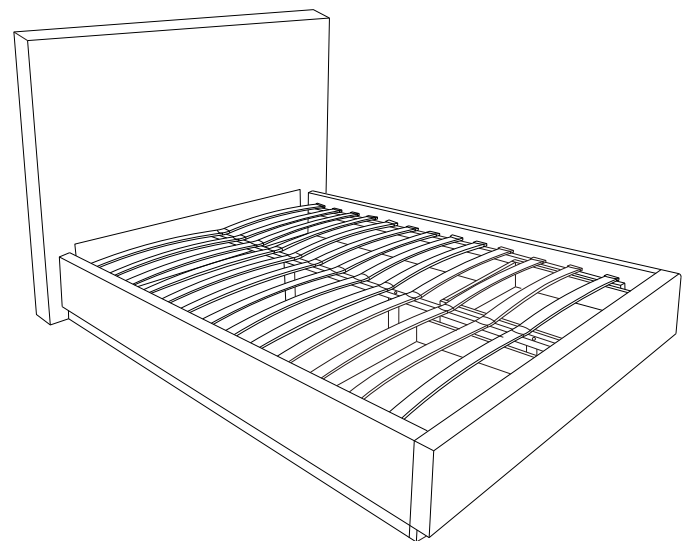
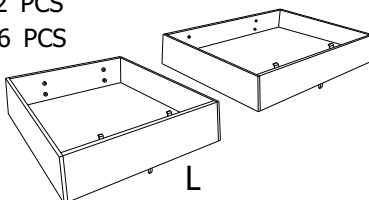
BOX#3

L. DRAWER BOX

2 PCS

M. CASTERS

6 PCS

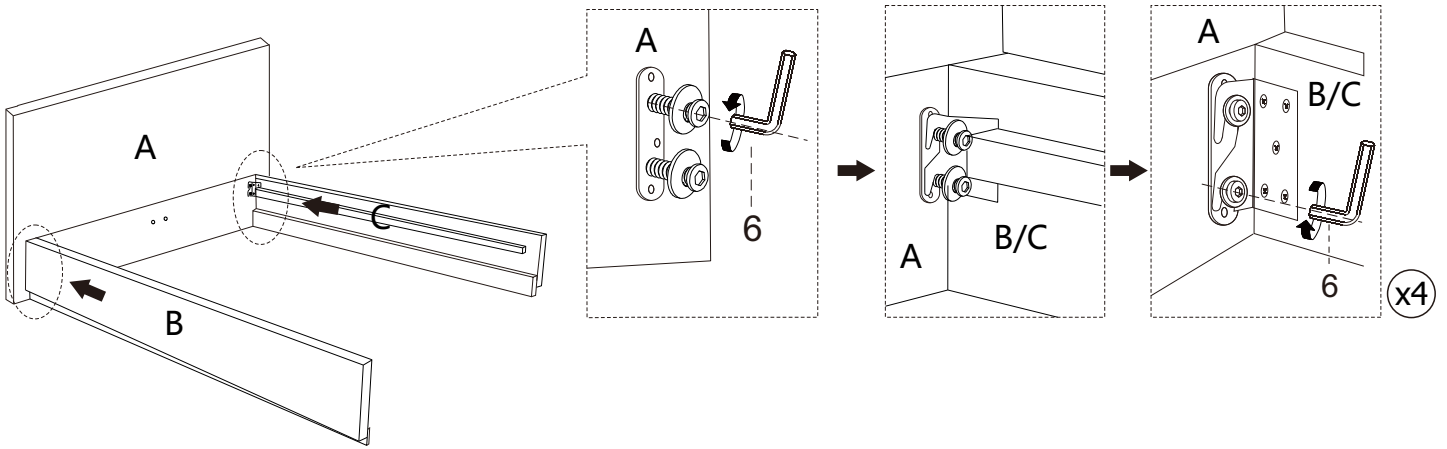


UPDATED: JUNE 1ST, 2023

ONE COLLECT. UPHOLSTERED STORAGE BED FULL/QUEEN ASSEMBLY INSTRUCTIONS

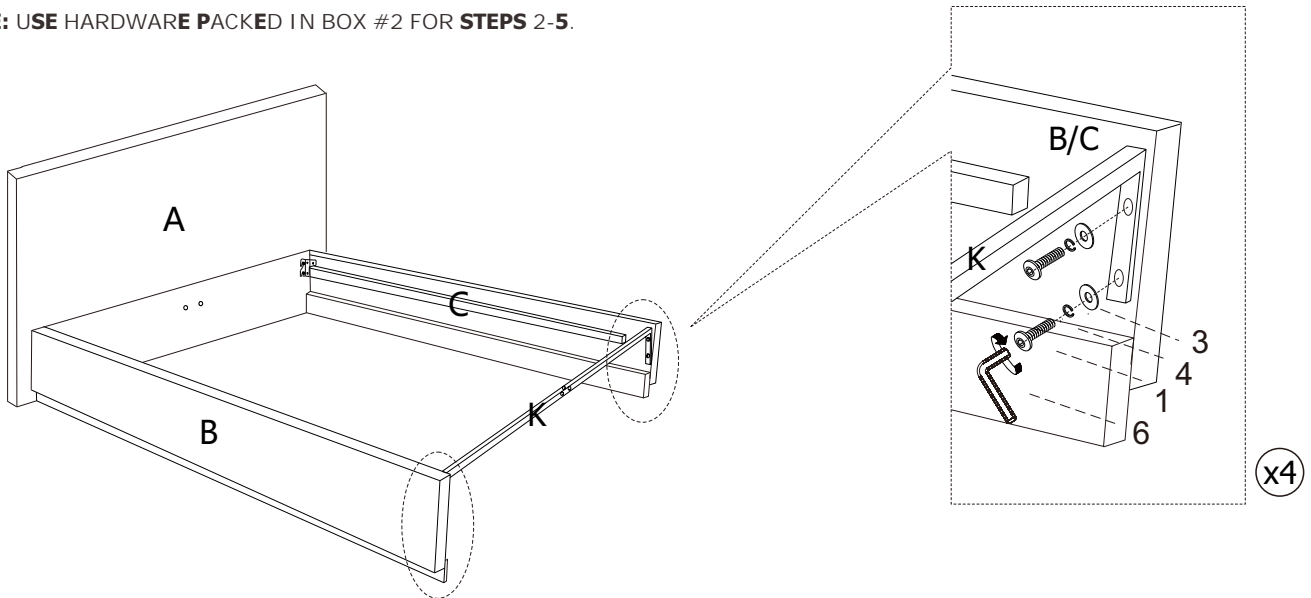


STEP 1:

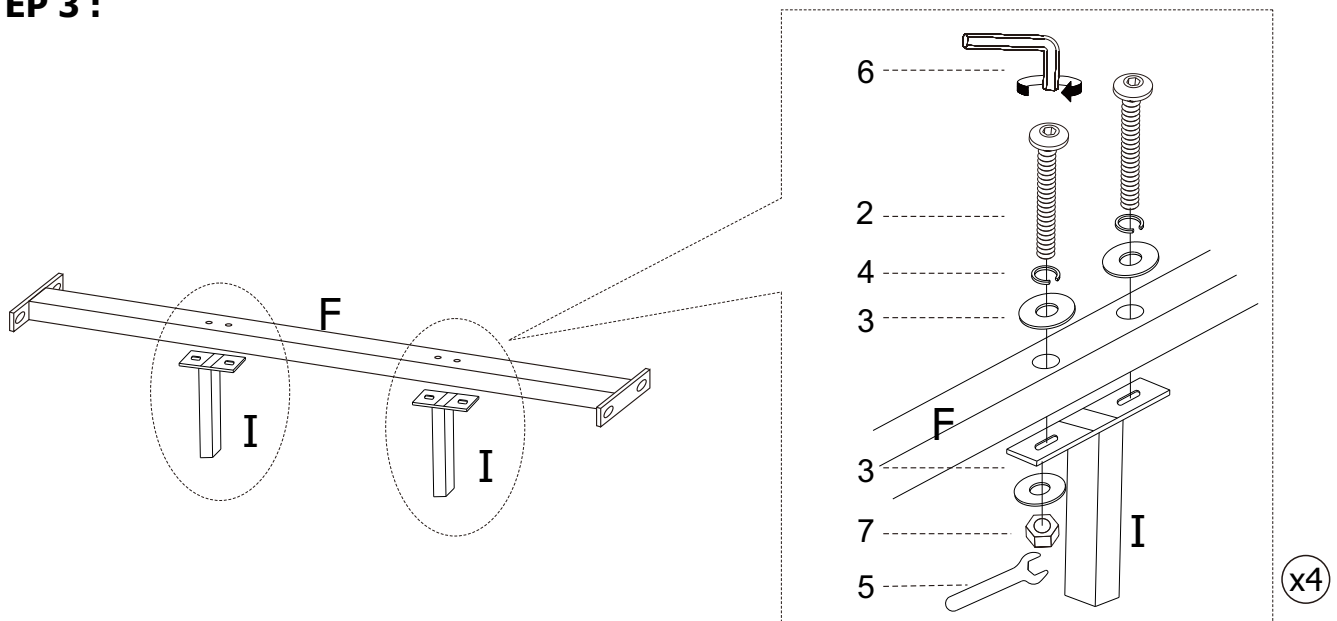


STEP 2:

NOTE: USE HARDWARE PACKED IN BOX #2 FOR STEPS 2-5.



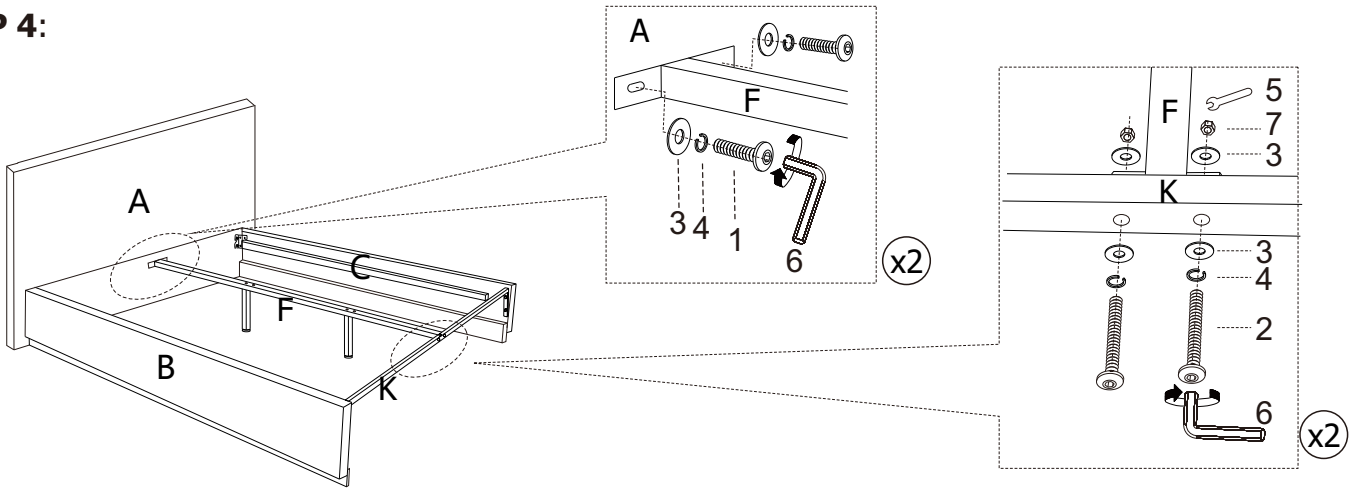
STEP 3:



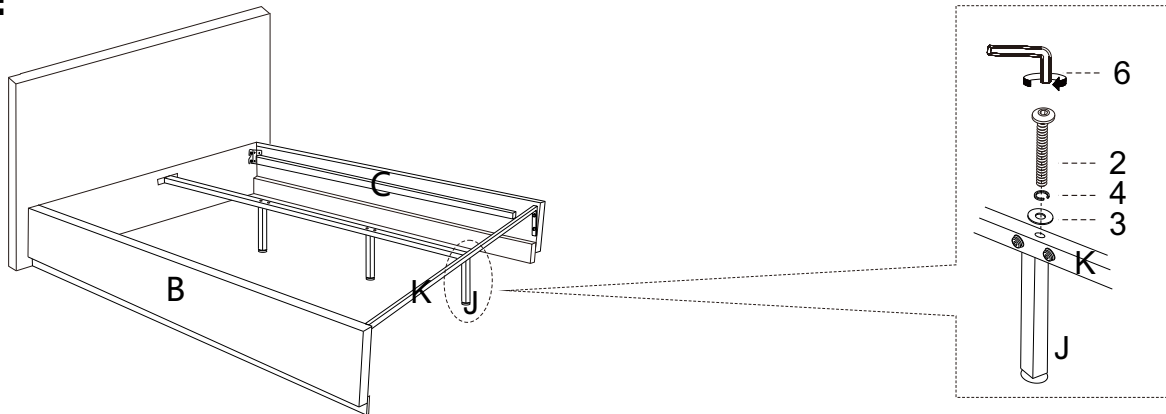
ONE COLLECT. UPHOLSTERED STORAGE BED FULL/QUEEN ASSEMBLY INSTRUCTIONS



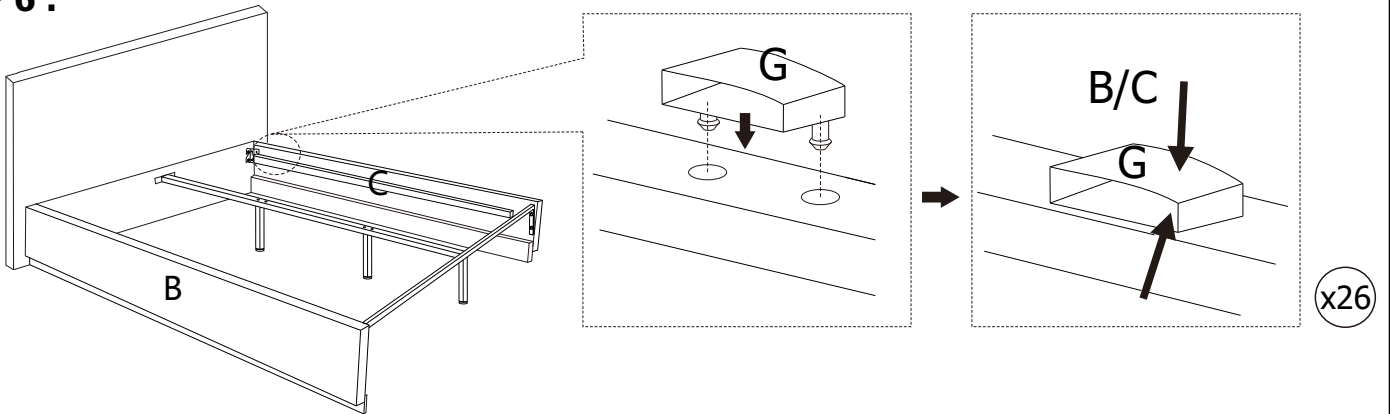
STEP 4:



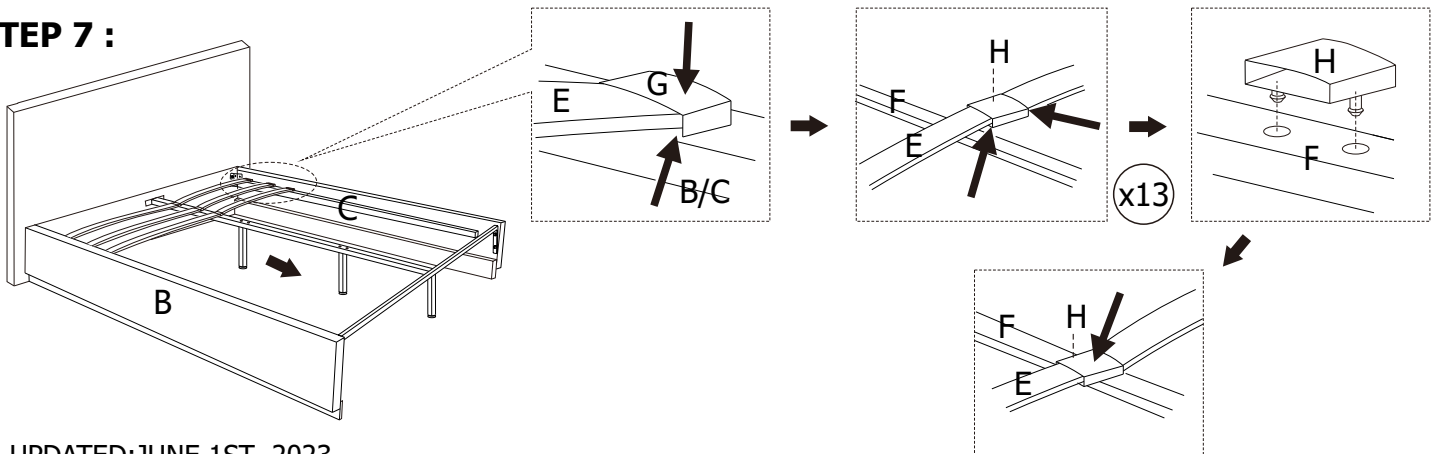
STEP 5:



STEP 6:



STEP 7:

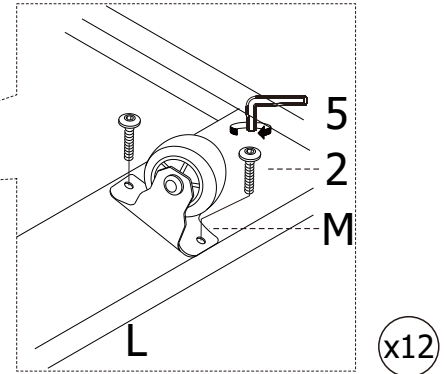
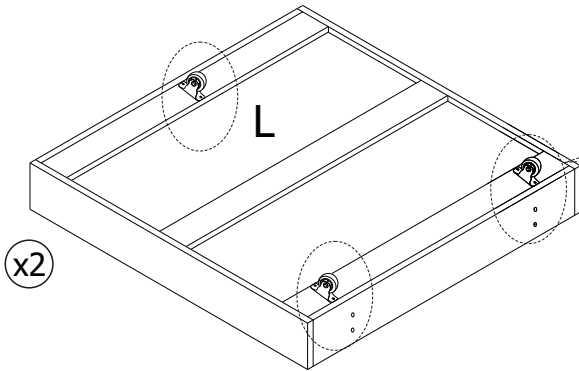


ONE COLLECT. UPHOLSTERED STORAGE BED FULL/QUEEN ASSEMBLY INSTRUCTIONS

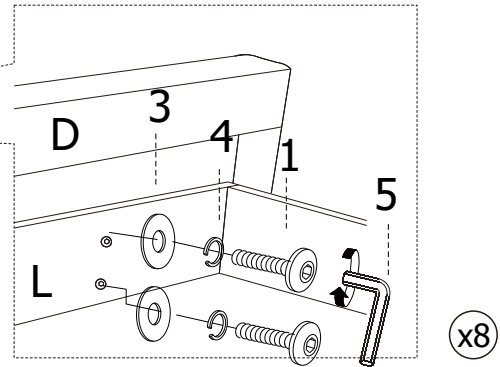
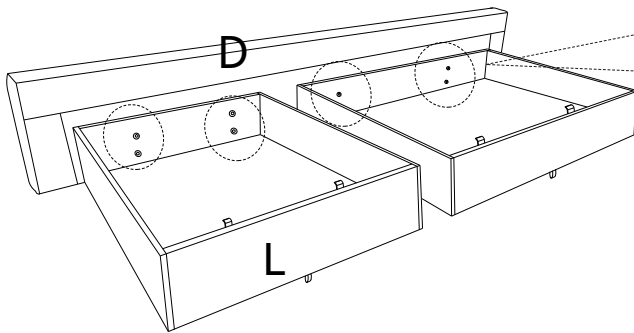


STEP 8 :

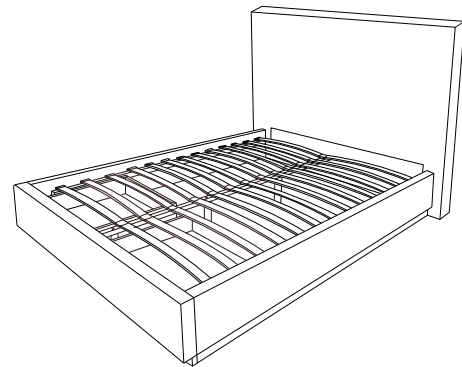
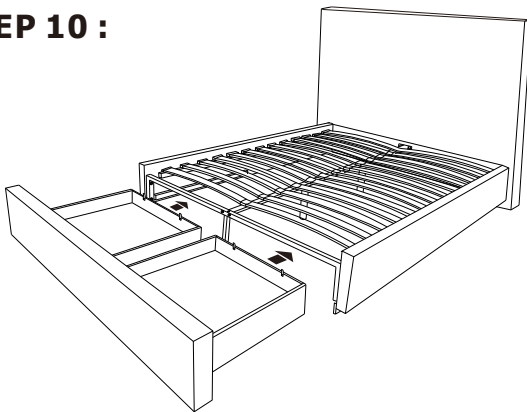
NOTE: USE HARDWARE PACKED IN BOX #3 FOR STEPS 8 & 9.



STEP 9 : DRAWER BOXES ARE NOT SIDE SPECIFIC AND CAN BE ATTACHED TO EITHER LEFT OR RIGHT SIDE OF FOOTBOARD.



STEP 10 :



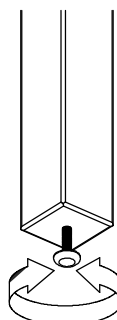
ASSEMBLY COMPLETE

INSTRUCTIONS FOR ADJUSTING LEVELERS :

POSITION THE BED IN YOUR ROOM. LOCATE LEVELERS UNDER EACH SUPPORT LEG (I/J).

TURN COUNTER-CLOCKWISE TO EXTEND, CLOCKWISE TO RETRACT.

ADJUST LEVELERS UNTIL EACH LEG SUPPORT IS APPLYING EQUAL UPWARD PRESSURE ON THE CENTER SLAT.



MAINTENANCE INSTRUCTIONS:

- PERIODICALLY CHECK ALL FITTINGS AND TIGHTEN IF NECESSARY, AS THEY CAN LOOSEN OVER TIME.
- ALWAYS REMOVE BOX SPRING AND MATTRESS BEFORE MOVING THE BED.
- LIFT THE BED WHEN MOVING IT. DRAGGING THE BED CAN DAMAGE THE CENTER SUPPORT.
- READJUST LEVELERS AFTER MOVING THE BED.

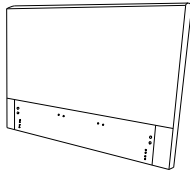
ONE COLLECT. UPHOLSTERED STORAGE BED C.KING/E.KING ASSEMBLY INSTRUCTIONS



BOX#1

A. HEADBOARD

1 PC

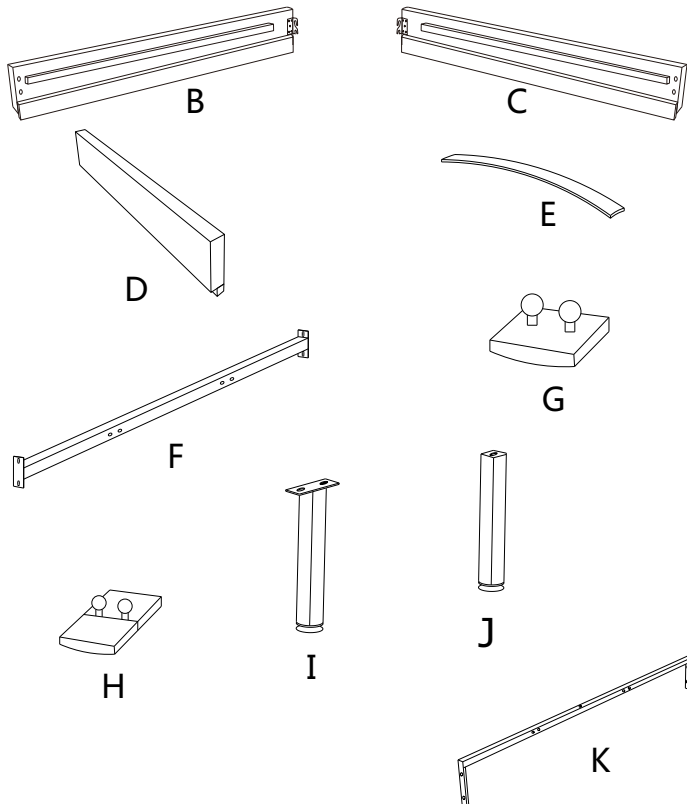


HARDWARE KIT PACKED IN BOX #1

1	ALLEN BOLT(1/4"x1")		8 PCS
2	FLAT WASHER(5/16")		8 PCS
3	LOCK WASHER(5/16")		8 PCS
4	ALLEN KEY(1/4")		1 PC

BOX#2

- B. LEFT SIDE RAIL 1 PC
- C. RIGHT SIDE RAIL 1 PC
- D. FOOTBOARD 1 PC
- E. SLAT 39 PCS
- F. CENTER SLAT SUPPORT 2 PCS
- G. SIDE RAIL SLAT CLIP 26 PCS
- H. CENTER SUPPORT SLAT CLIP 26 PCS
- I. SLAT SUPPORT LEG 4 PCS
- J. METAL SUPPORT LEG 1 PC
- K. METAL SUPPORT BRACE 1 PC

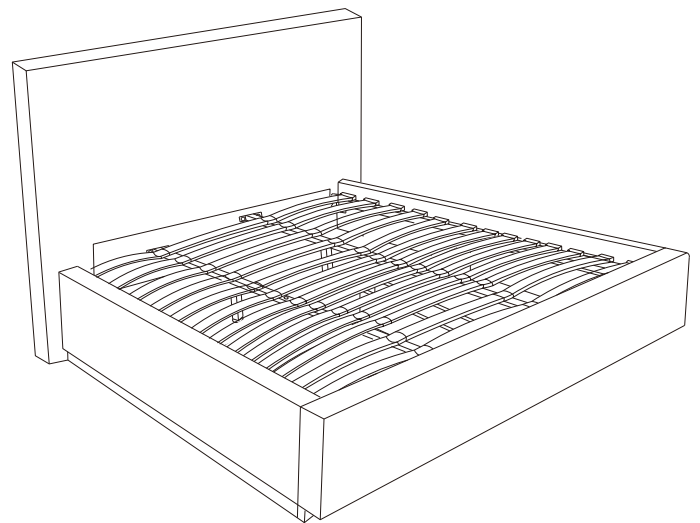


HARDWARE KIT PACKED IN BOX #2

1	ALLEN BOLT(5/16"x1")		8 PCS
2	ALLEN BOLT(5/16"x2-1/2")		13 PCS
3	FLAT WASHER(5/16")		33 PCS
4	LOCK WASHER(5/16")		21 PCS
5	WRENCH(5/16")		1 PC
6	ALLEN KEY(5/16")		1 PC
7	HEX NUT(5/16"x12)		12 PCS

HARDWARE KIT PACKED IN BOX #3

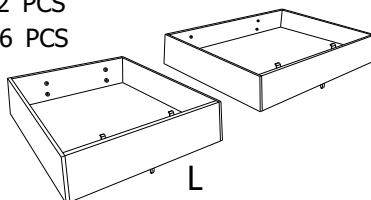
1	ALLEN BOLT(1/4"x1-1/4")		8 PCS
2	ALLEN BOLT(1/4"x5/8")		12 PCS
3	FLAT WASHER(1/4")		8 PCS
4	LOCK WASHER(1/4")		8 PCS
5	ALLEN KEY(1/4")		1 PC



BOX#3

L. DRAWER BOX
M. CASTERS

2 PCS
6 PCS

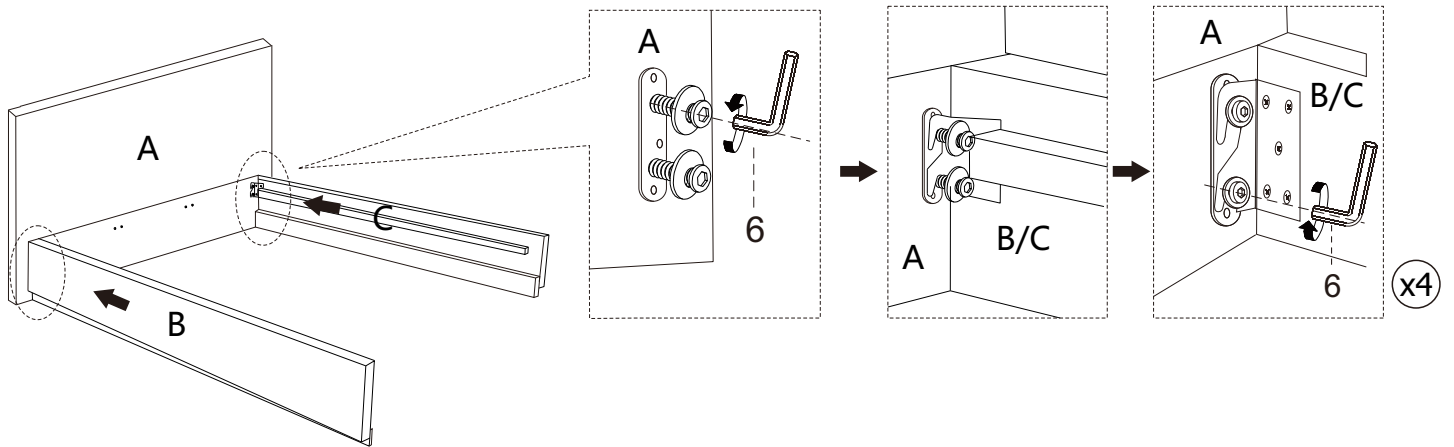


UPDATED: JUNE 1ST, 2023

ONE COLLECT. UPHOLSTERED STORAGE BED C.KING/E.KING ASSEMBLY INSTRUCTIONS

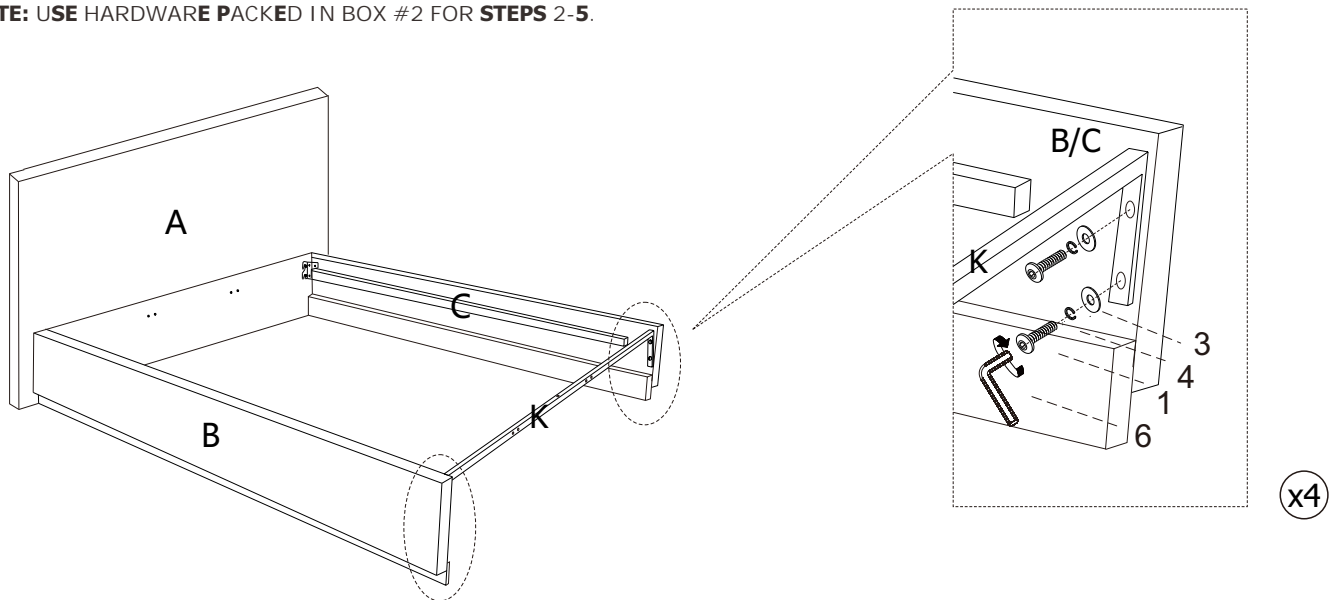


STEP 1:

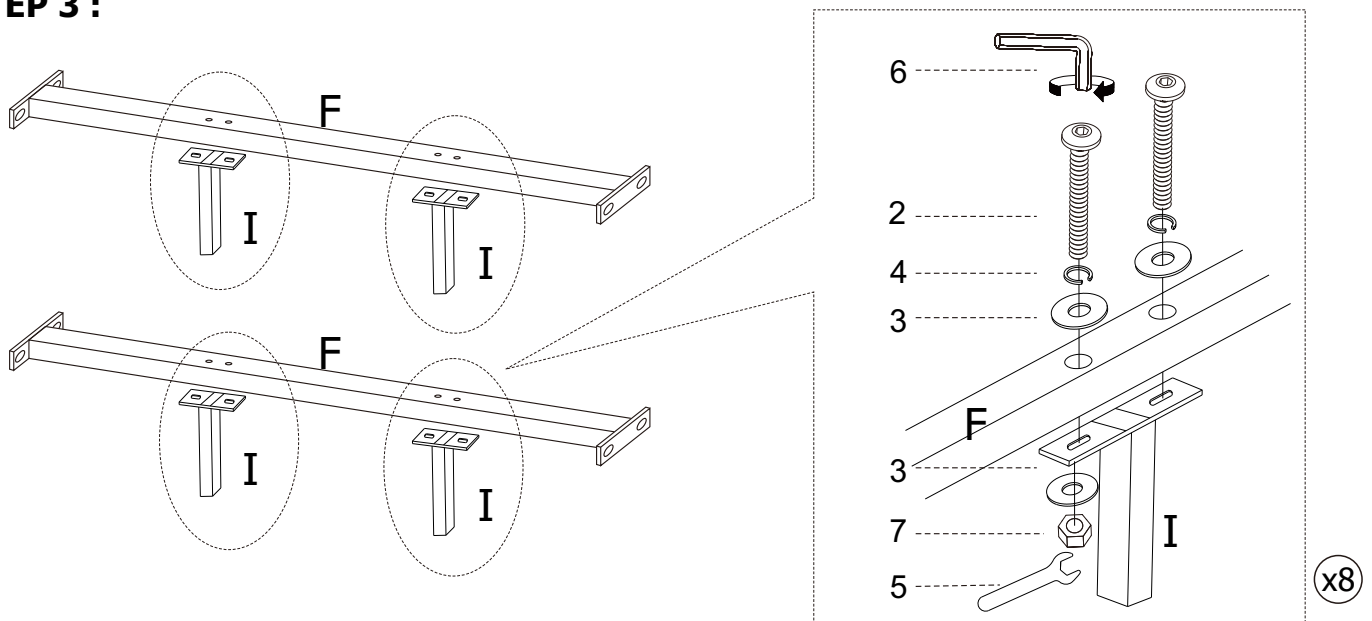


STEP 2:

NOTE: USE HARDWARE PACKED IN BOX #2 FOR STEPS 2-5.



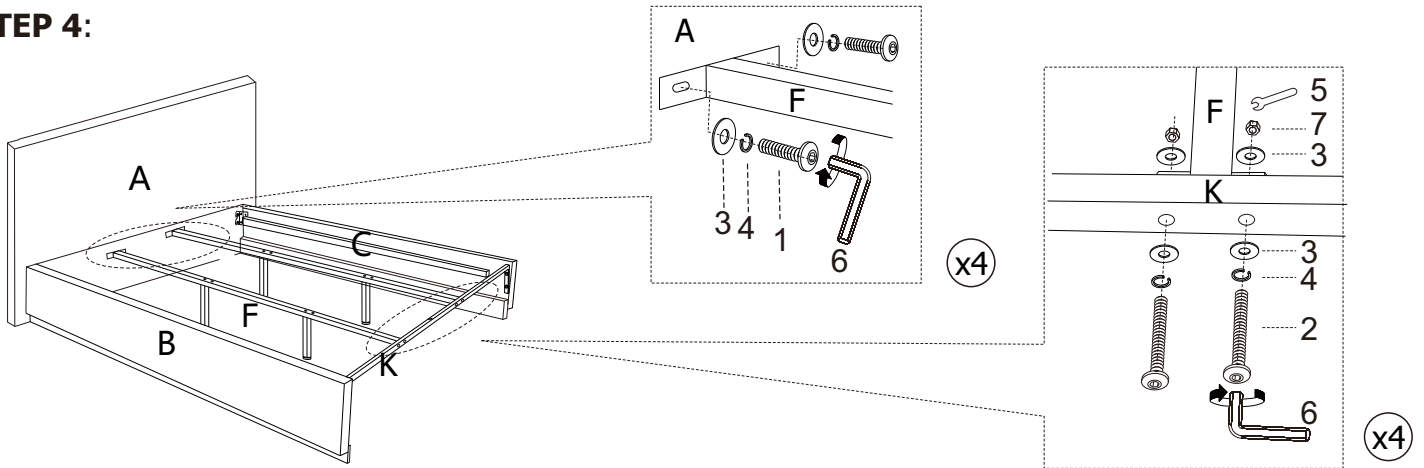
STEP 3:



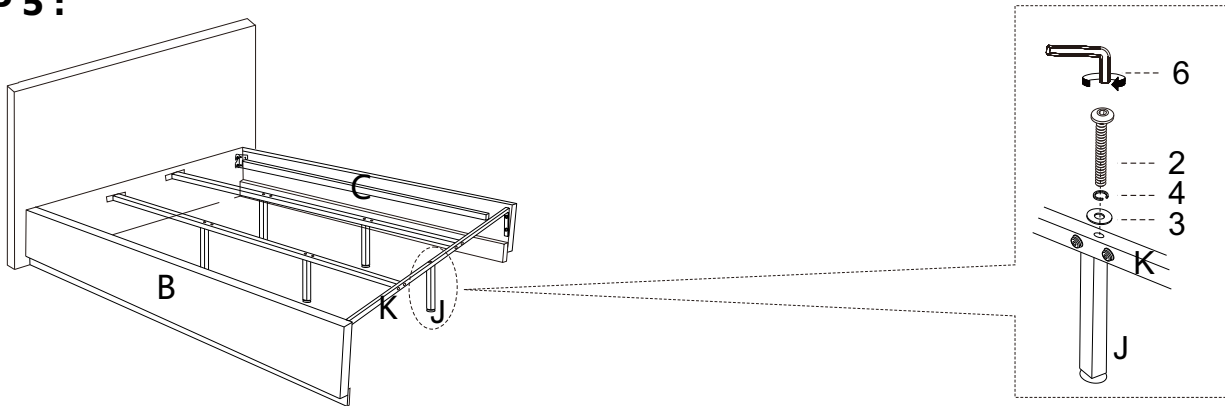
ONE COLLECT. UPHOLSTERED STORAGE BED C.KING/E.KING ASSEMBLY INSTRUCTIONS



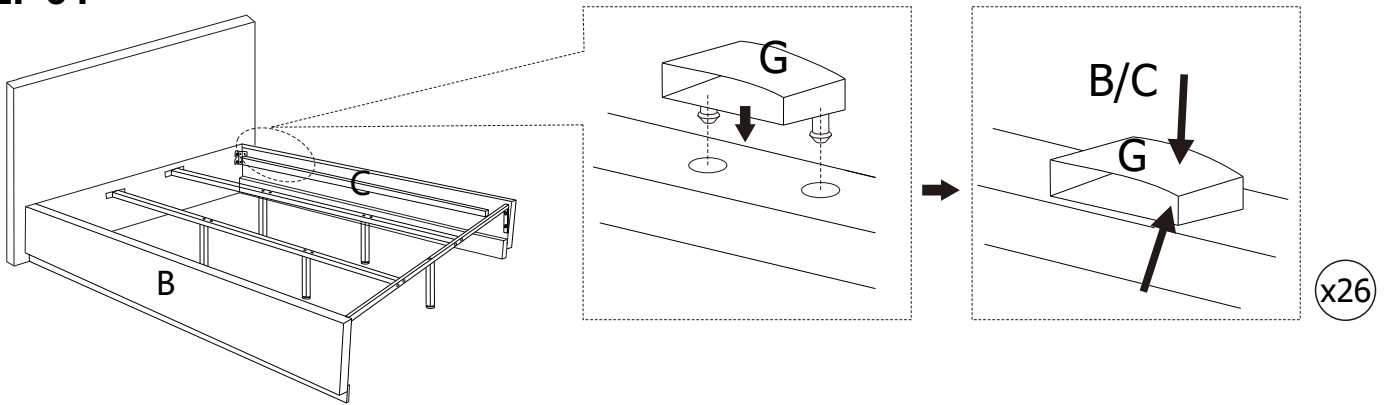
STEP 4:



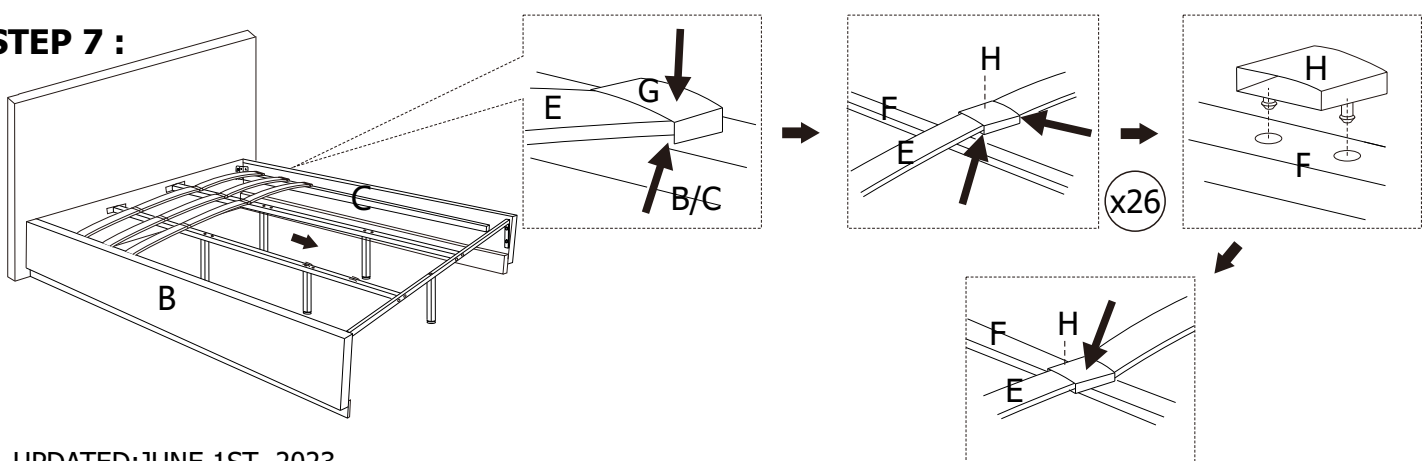
STEP 5:



STEP 6:



STEP 7:

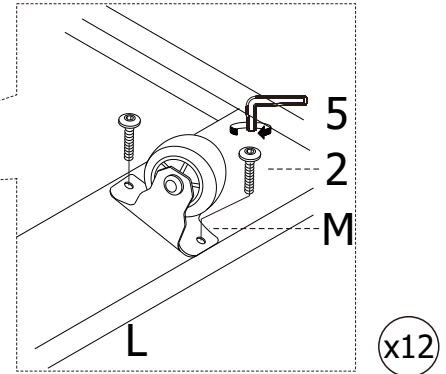
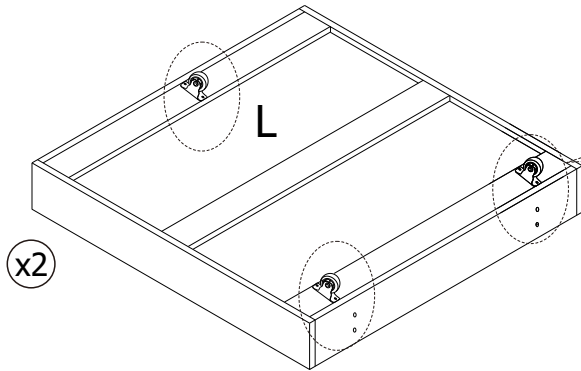


ONE COLLECT. UPHOLSTERED STORAGE BED C.KING/E.KING ASSEMBLY INSTRUCTIONS

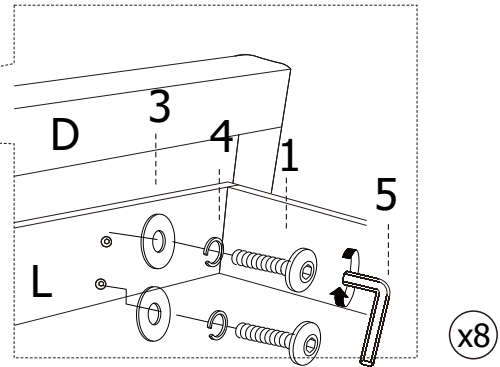
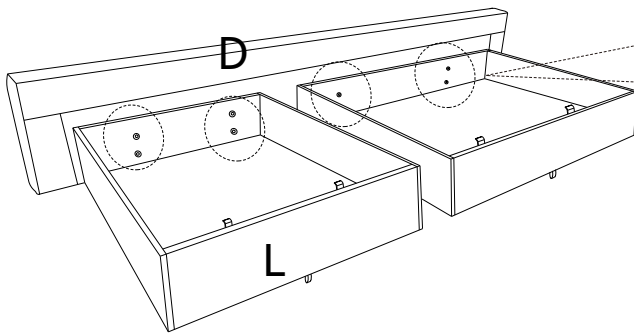


STEP 8 :

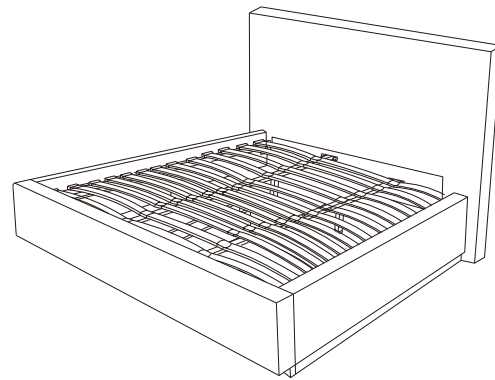
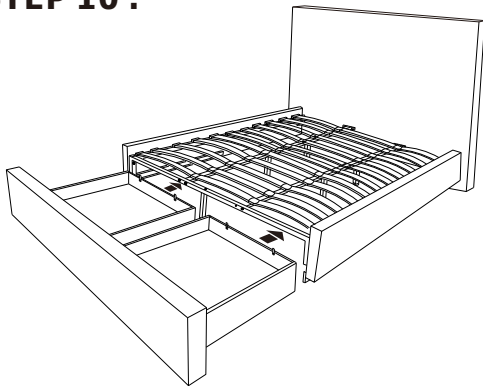
NOTE: USE HARDWARE PACKED IN BOX #3 FOR STEPS 8 & 9.



STEP 9 : DRAWER BOXES ARE NOT SIDE SPECIFIC AND CAN BE ATTACHED TO EITHER LEFT OR RIGHT SIDE OF FOOTBOARD.



STEP 10 :



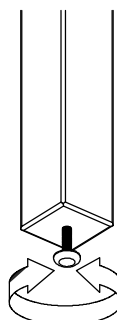
ASSEMBLY COMPLETE

INSTRUCTIONS FOR ADJUSTING LEVELERS :

POSITION THE BED IN YOUR ROOM. LOCATE LEVELERS UNDER EACH SUPPORT LEG (I/J).

TURN COUNTER-CLOCKWISE TO EXTEND, CLOCKWISE TO RETRACT.

ADJUST LEVELERS UNTIL EACH LEG SUPPORT IS APPLYING EQUAL UPWARD PRESSURE ON THE CENTER SLAT.



MAINTENANCE INSTRUCTIONS:

- PERIODICALLY CHECK ALL FITTINGS AND TIGHTEN IF NECESSARY, AS THEY CAN LOOSEN OVER TIME.
- ALWAYS REMOVE BOX SPRING AND MATTRESS BEFORE MOVING THE BED.
- LIFT THE BED WHEN MOVING IT. DRAGGING THE BED CAN DAMAGE THE CENTER SUPPORT.
- READJUST LEVELERS AFTER MOVING THE BED.