



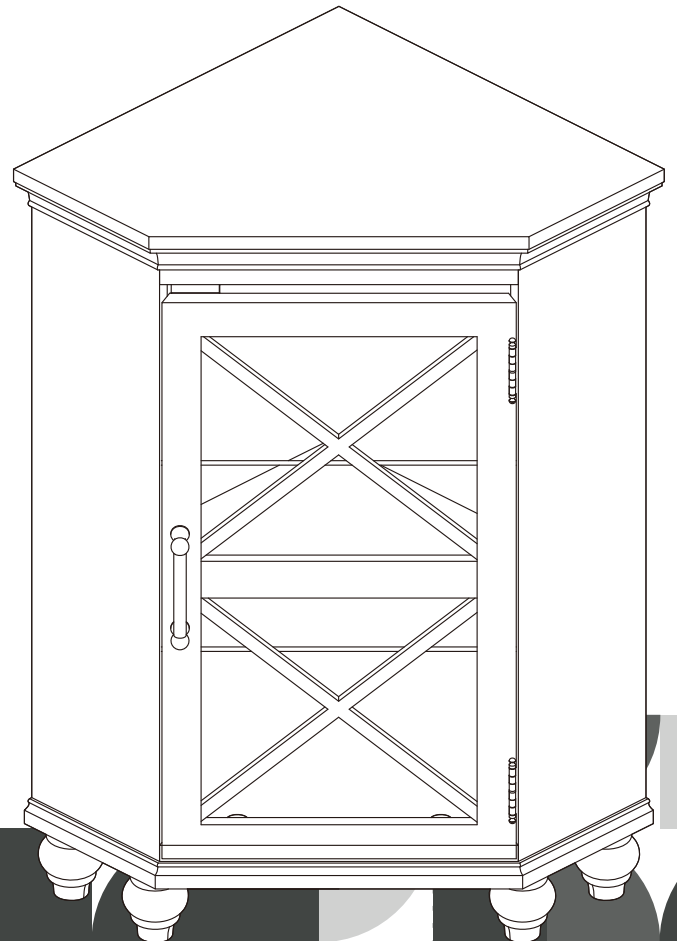
Extended Warranty
Sign Up

E-1

Welcome home!

ELG-631

**TEAMSON HOME
Blue Ridge Corner Floor
Cabinet**





**Questions? Comments? Need help?
Call or email us any time!**

Global Customer Service

USA

+1(800)935-3959

Mon - Fri 10:00am ~ 2:00pm EST

✉ support@teamson.com

EU/UK

+44(0)1952-916-050

Mon - Thu 9:00am ~ 5:00pm GMT

Friday 9:00am ~ 4:00pm GMT

✉ support@teamson.co.uk

ASIA

深圳办公室:

+86(0755)8885-3558.分机号331

Mon - Sat 9:00am ~ 5:00pm GMT+8

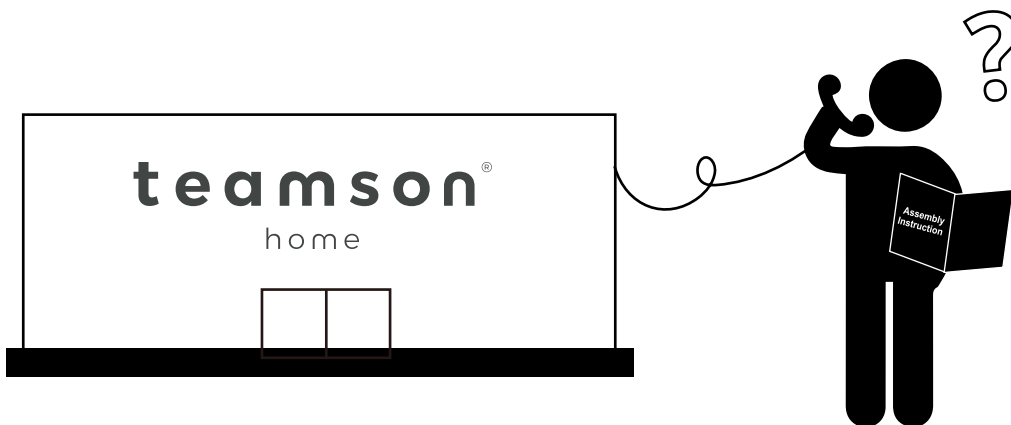
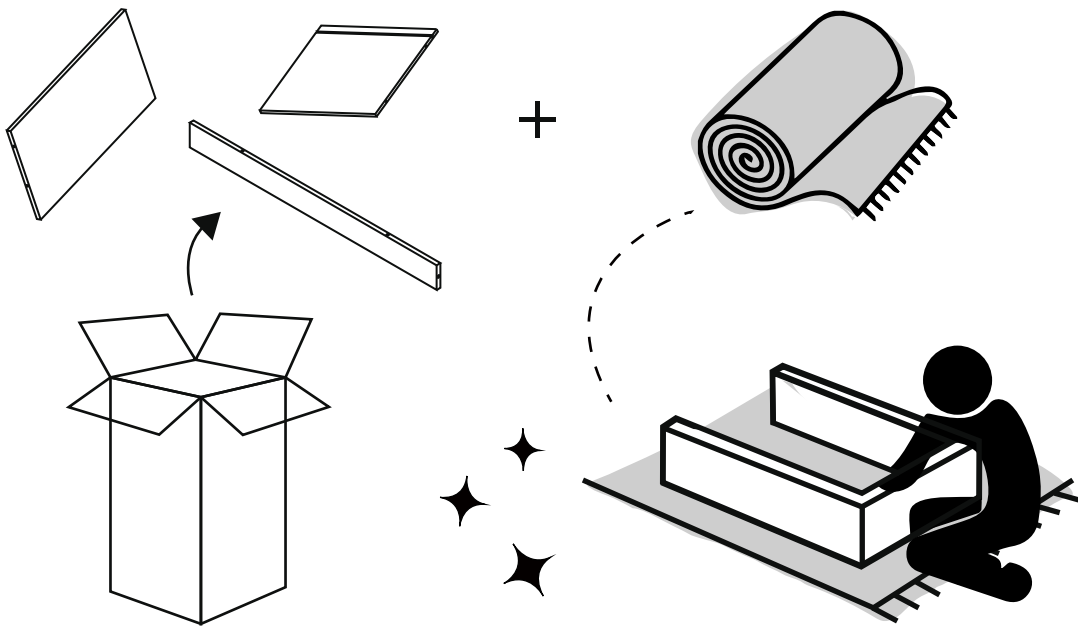
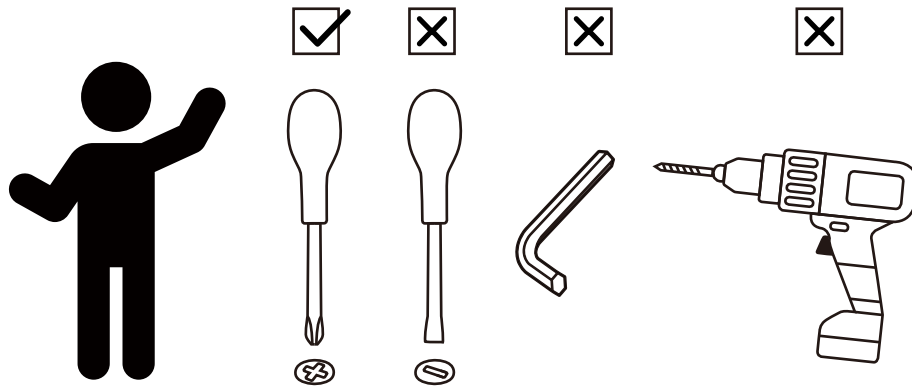
✉ sales_ec@teamson.com

台北办公室:

+886(2)2556-6268

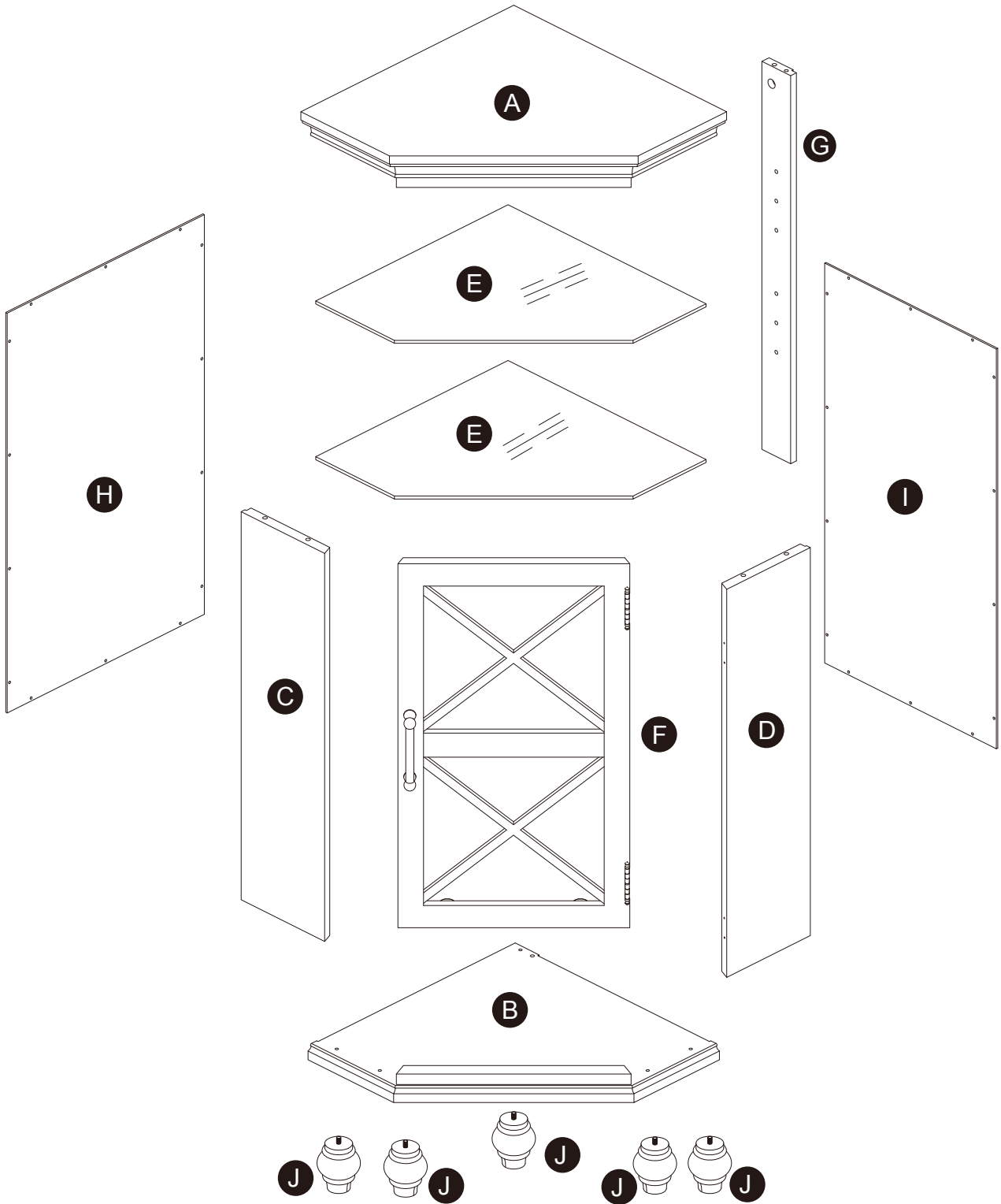
Mon - Fri 9:00am ~ 5:00pm GMT+8

✉ sales_ec@teamson.com



** Got questions? Please have your product code (on the first page of this instruction, e.g. TD-12345A) and the order number ready, give us a call or email us through our customer care support! We are always ready to assist you!

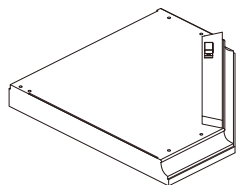
Exploded Drawing



Scan for assembly instructions.

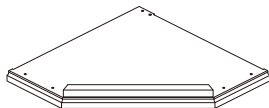
Product Parts

A



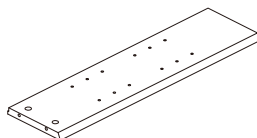
1 PC

B



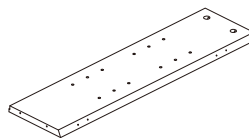
1 PC

C



1 PC

D



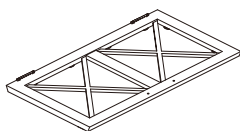
1 PC

E



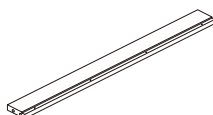
2 PCS

F



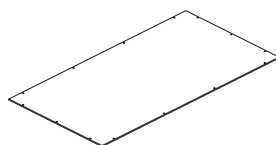
1 PC

G



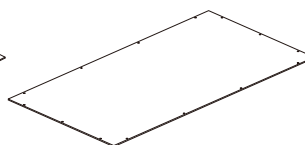
1 PC

H



1 PC

I



1 PC

J



5 PCS

! Care Instructions

Dust surface with a dry soft cloth. Do not use window cleaners or cleaning abrasives as they will scratch the surface and could damage the protective coating

! WARNING

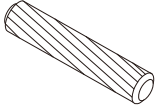
Small parts and sharp edges may be present prior to assembly.



Scan for assembly instructions.

Hardware

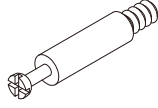
1



Ø8*30mm

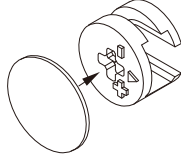
2 PCS

2



5 PCS

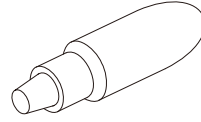
3



Ø15*9

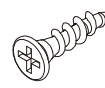
5 PCS

4



1 PC

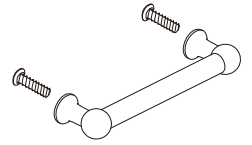
5



Ø3*12mm

4 PCS

6



1 SET

7



Ø3*12 D=7

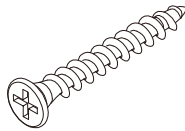
28 PCS

8



10 PCS

9




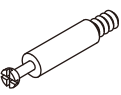
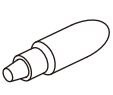
Ø4*38mm

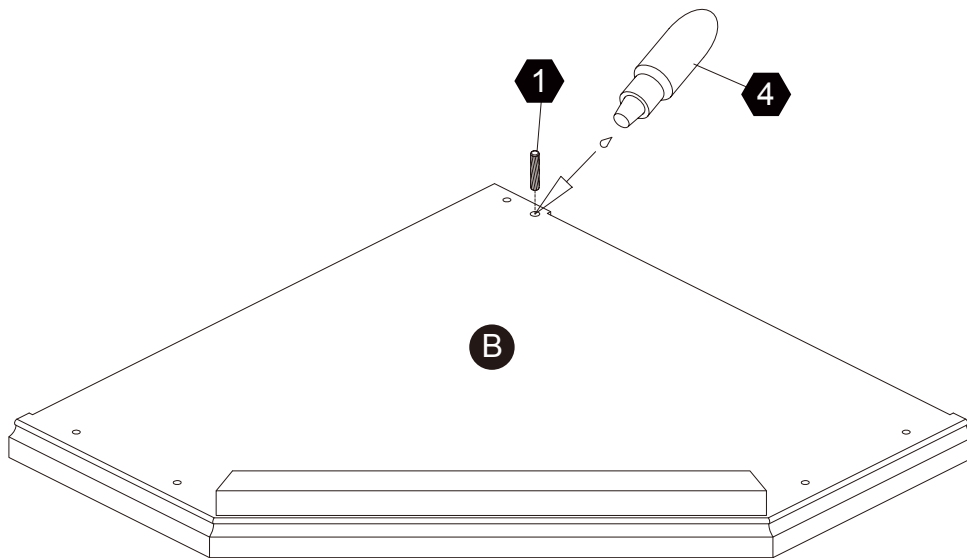
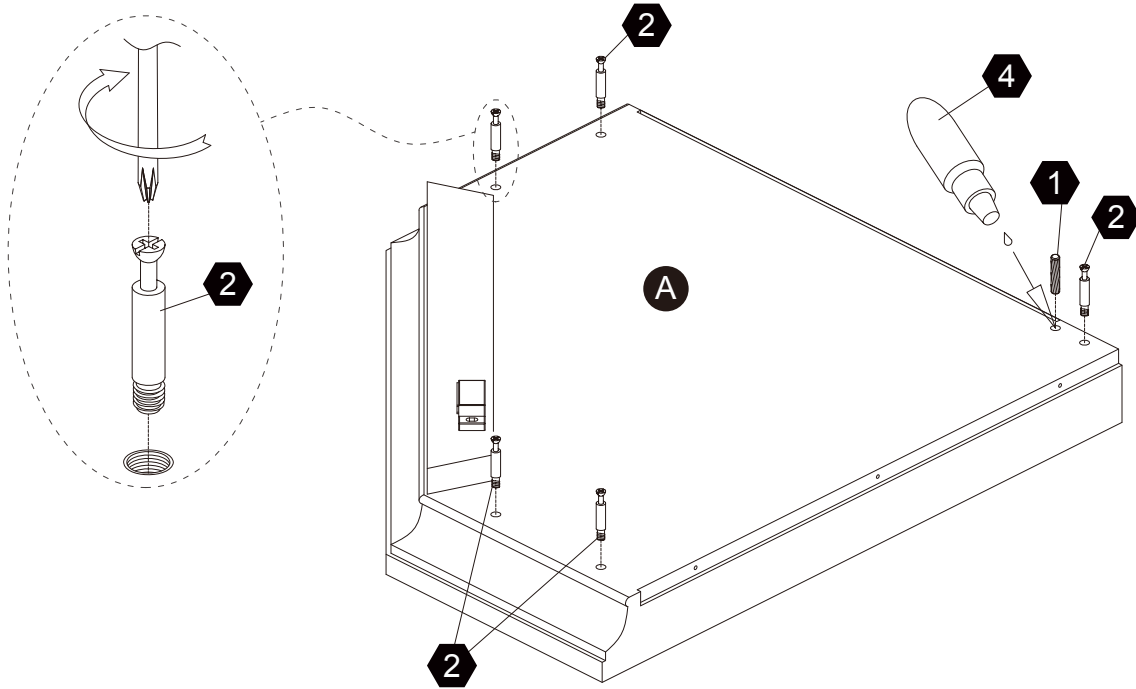
5 PCS



Scan for assembly instructions.

Step 1

- 1  2 pcs $\varnothing 8 \times 30 \text{mm}$
- 2  5 pcs
- 4  1 pc



Scan for assembly instructions.

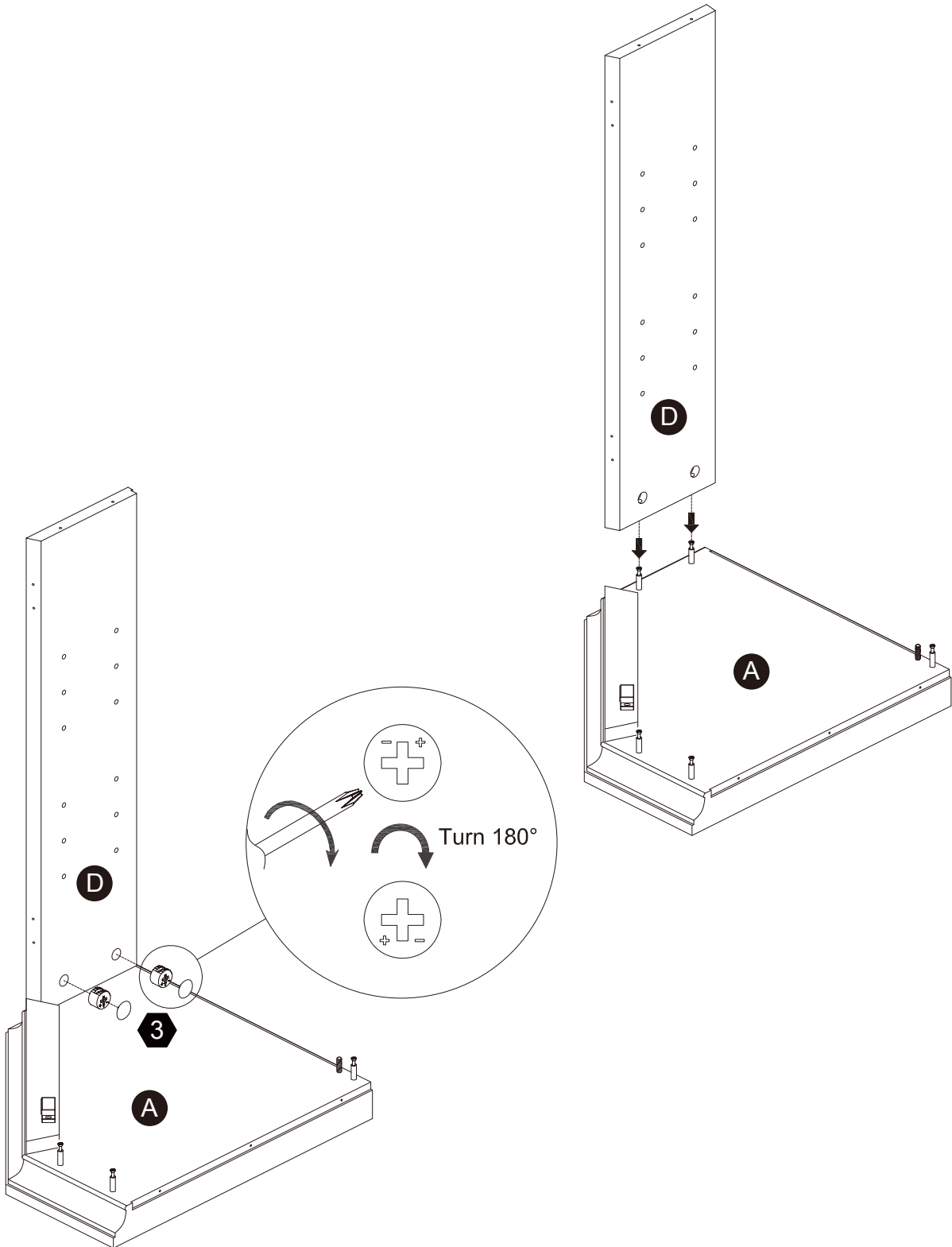
Step 2

3



2 pcs

Ø15*9



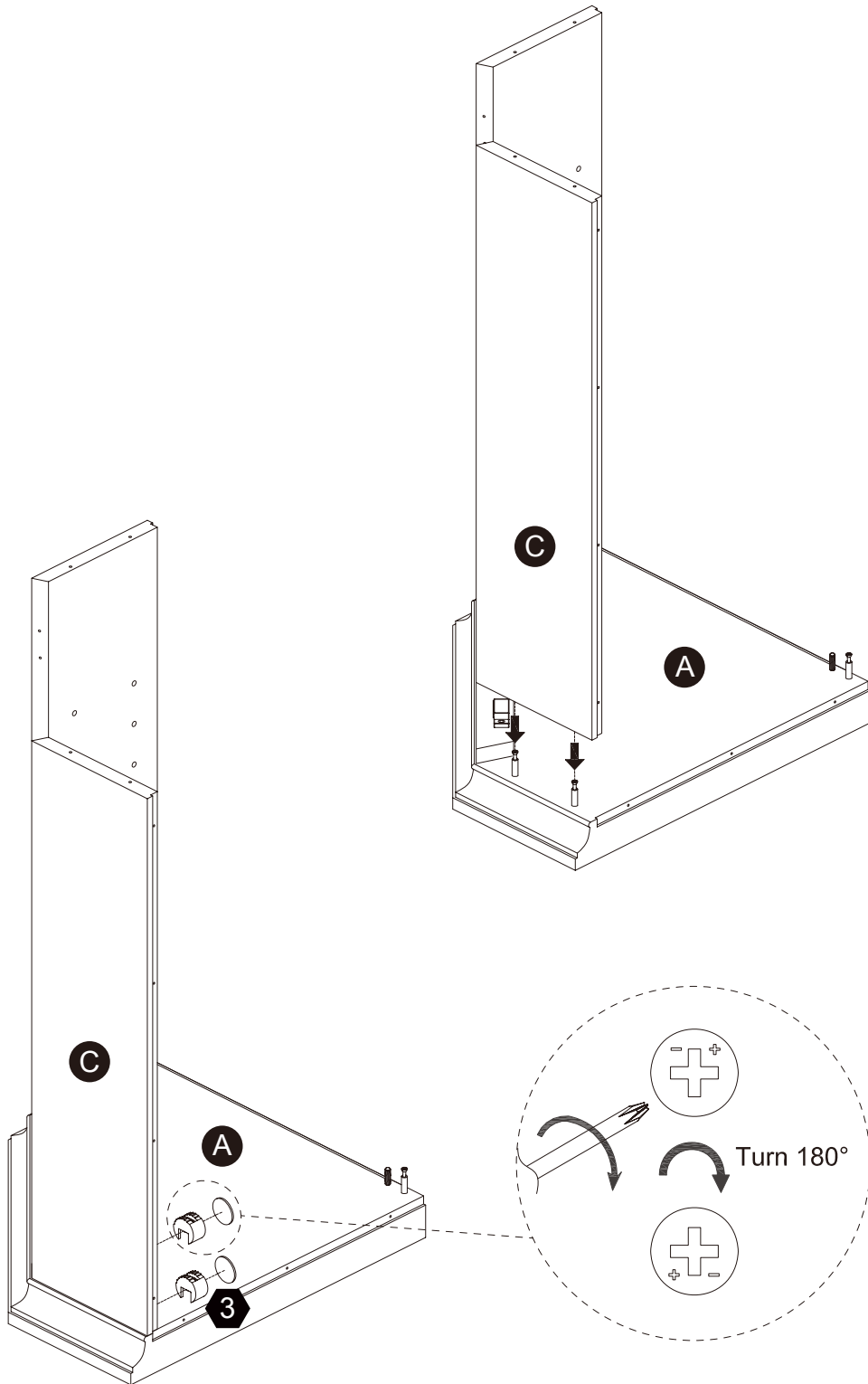
Scan for assembly instructions.

Step 3

3



2 pcs



Scan for assembly instructions.

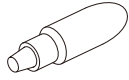
Step 4

3

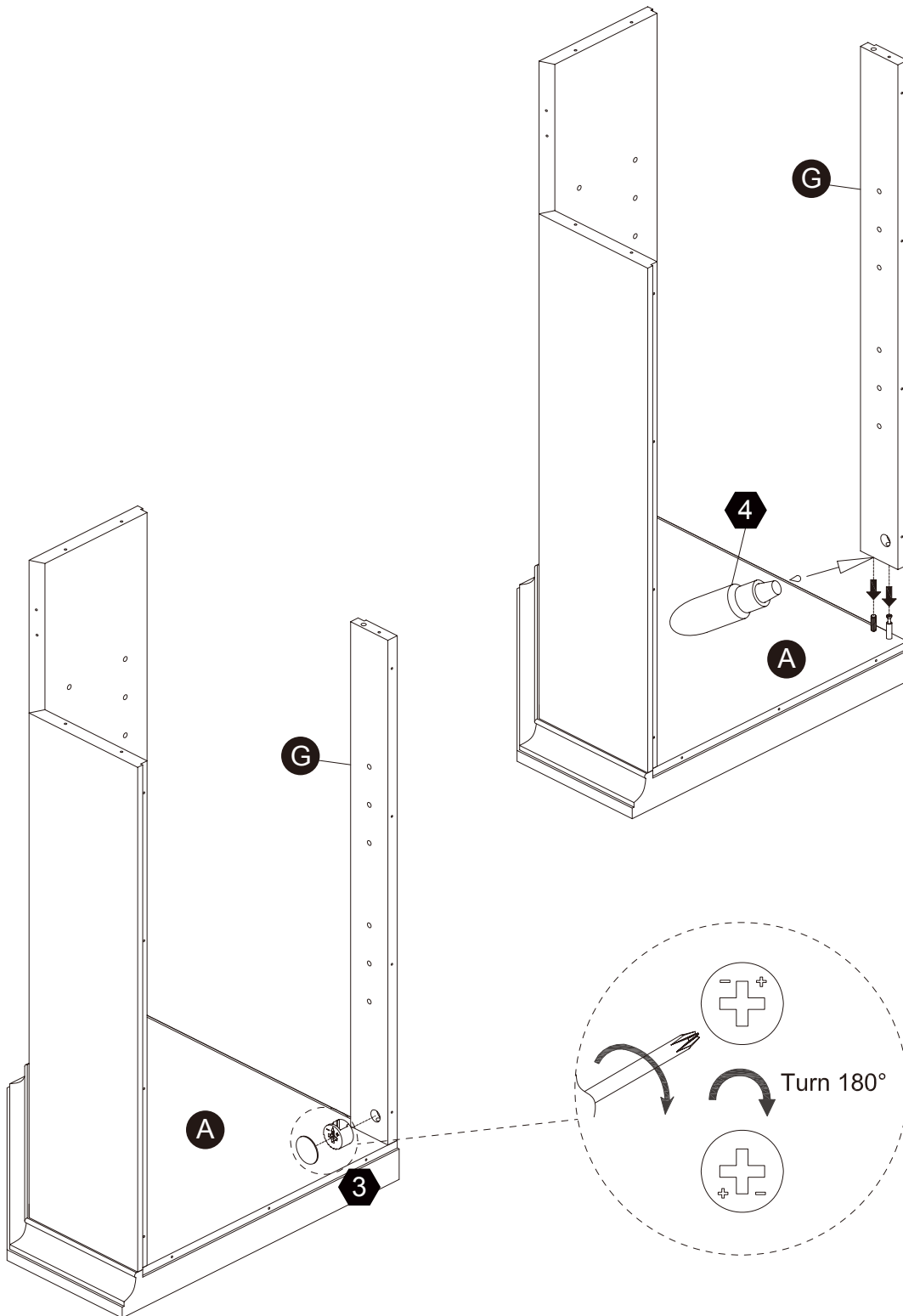


1 pc

4



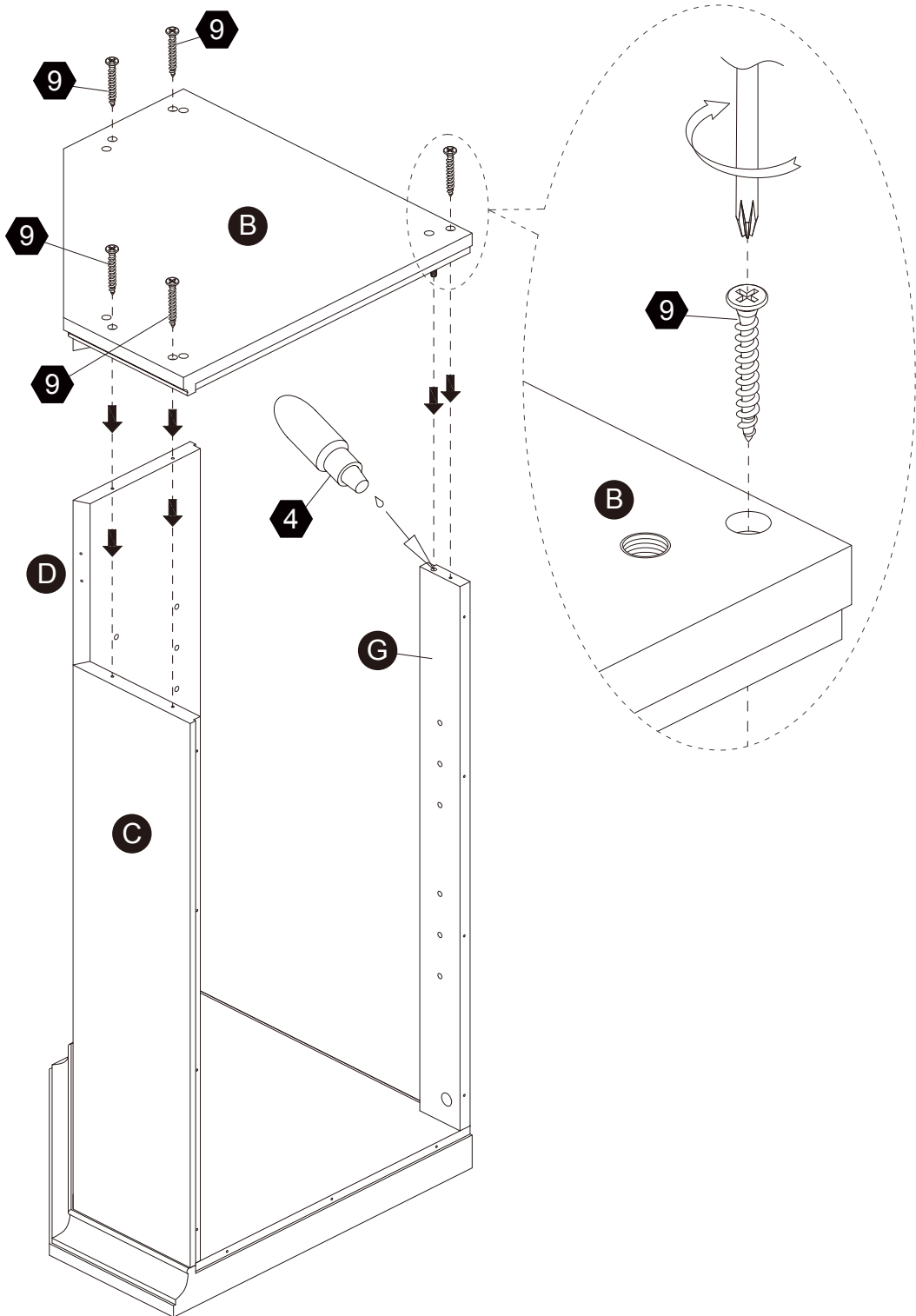
1 pc



Scan for assembly instructions.

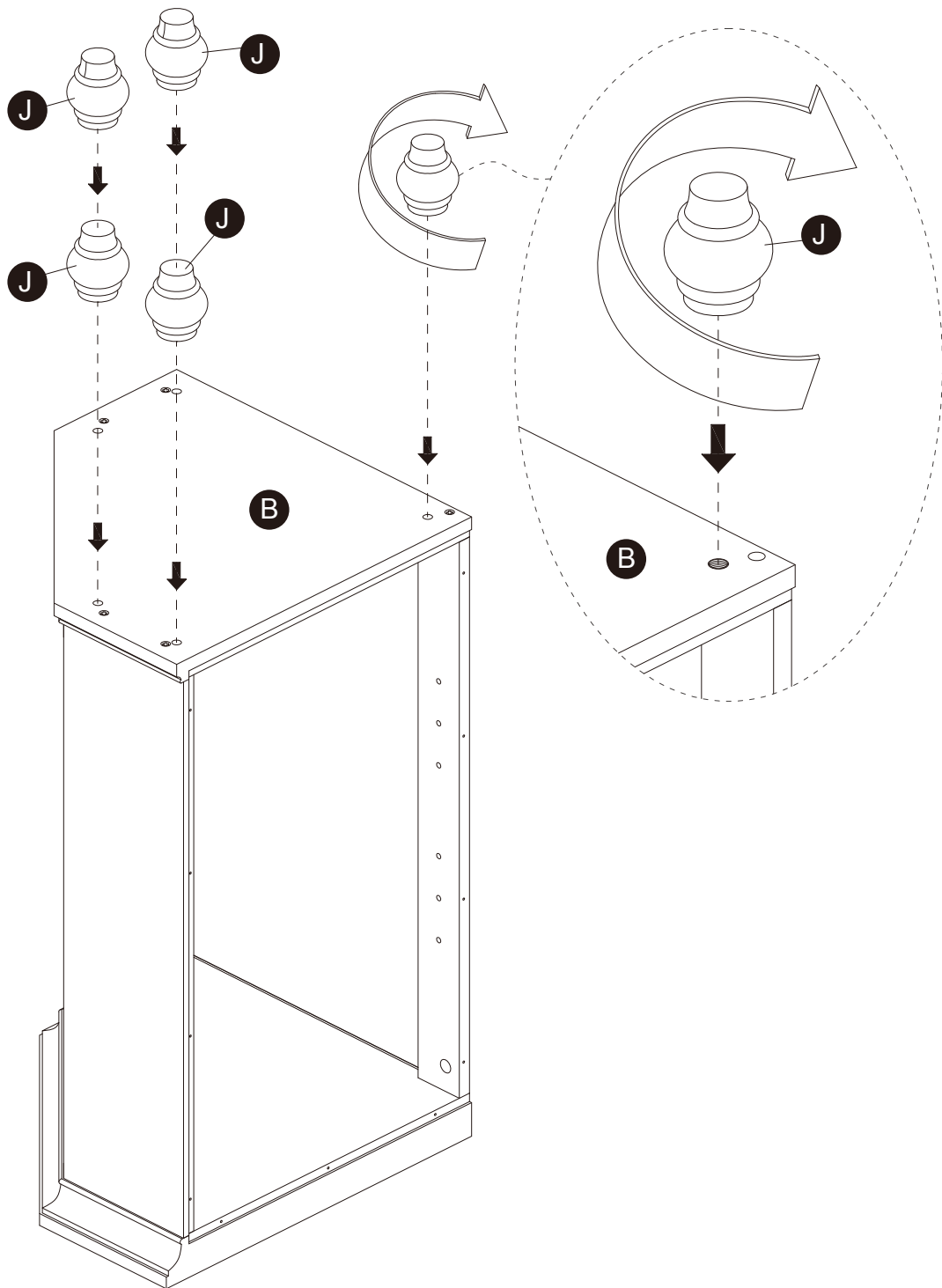
Step 5

9  Ø4*38mm 5 pcs 4  1 pc




Scan for assembly instructions.

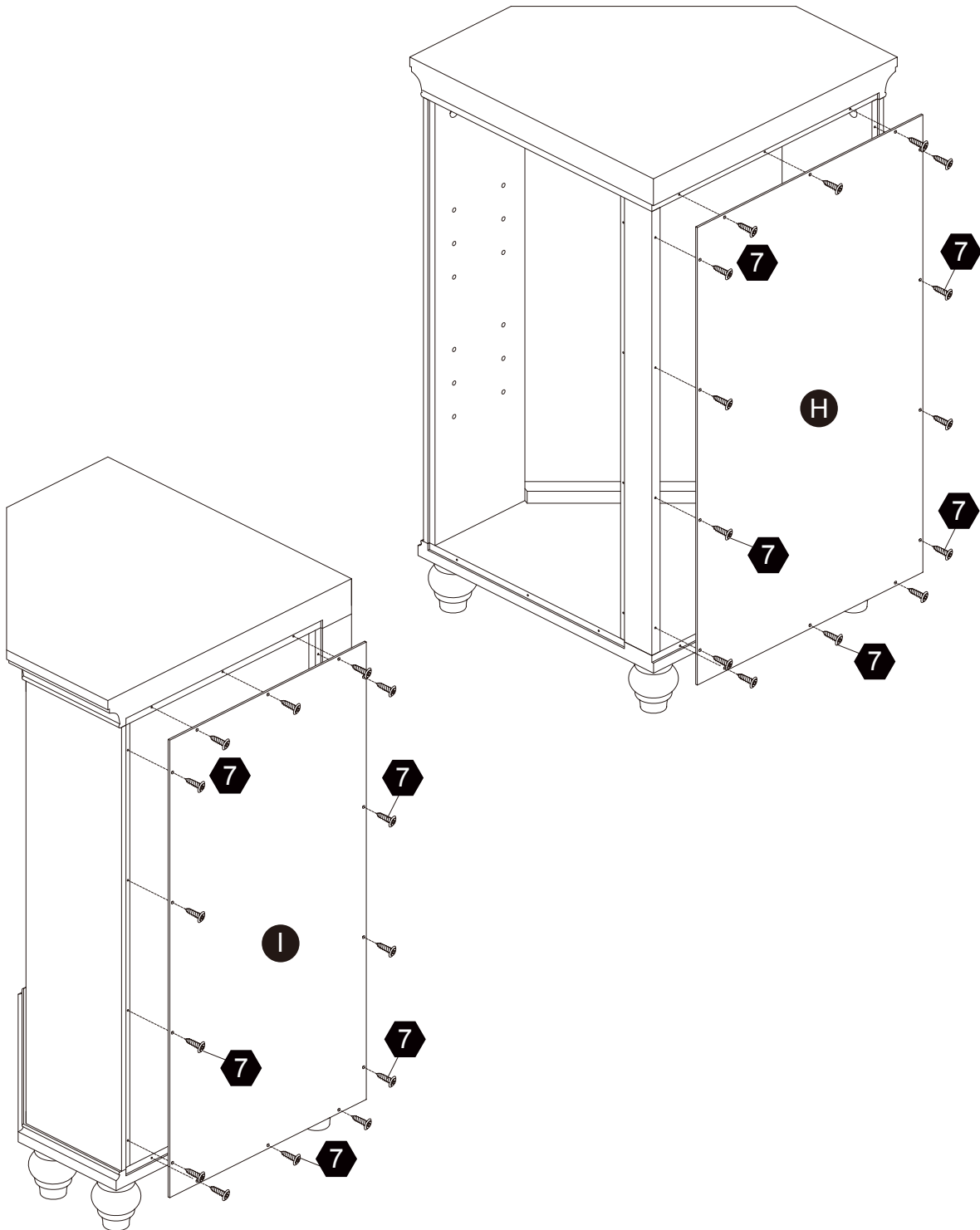
Step 6



Scan for assembly instructions.

Step 7

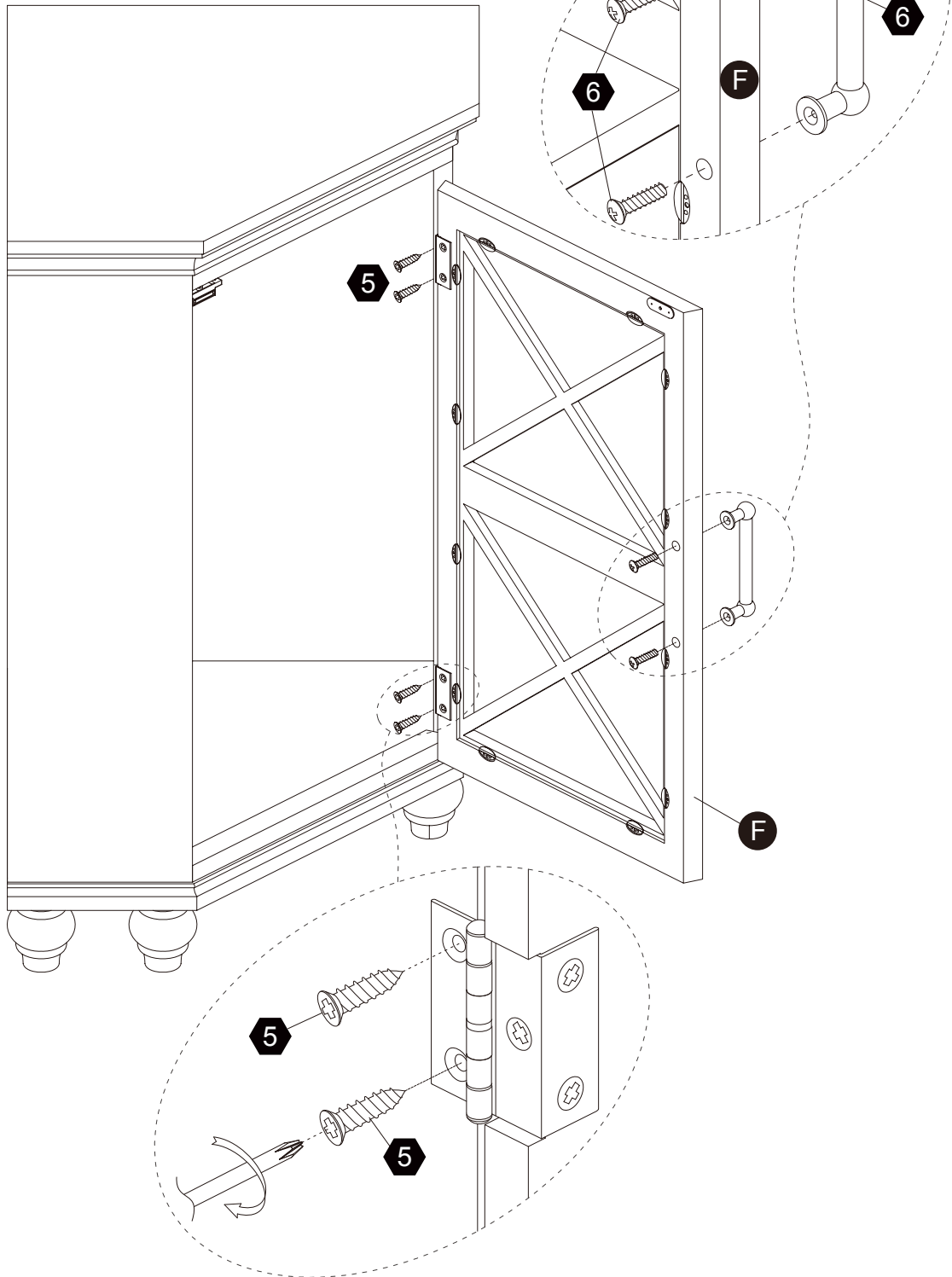
7  **28 pcs**
Ø3*12 D=7



Scan for assembly instructions.

Step 8

- 5**  Ø3*12mm 4 pcs **6**  1 set



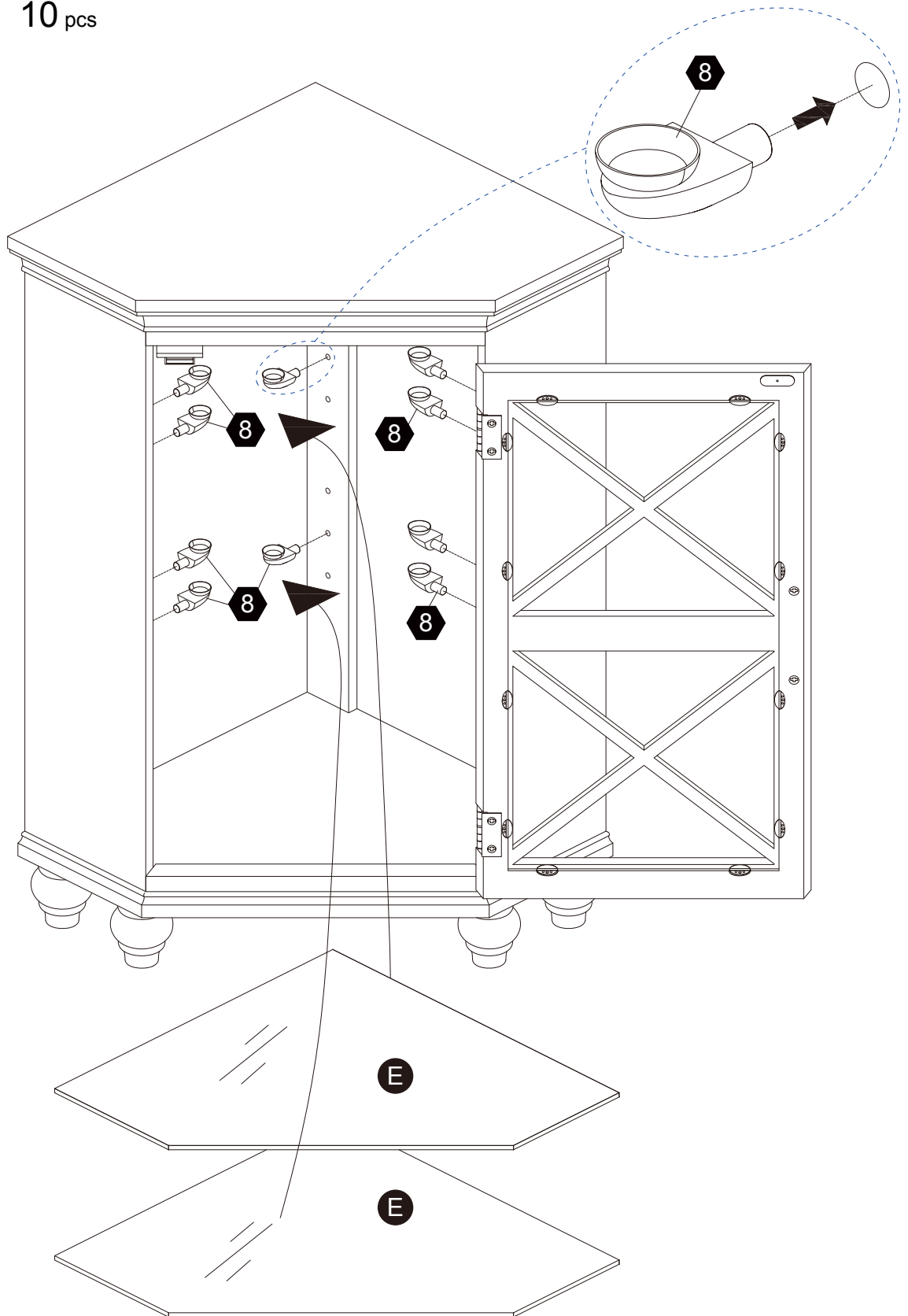
Scan for assembly instructions.

Step 9

8



10 pcs



Scan for assembly instructions.