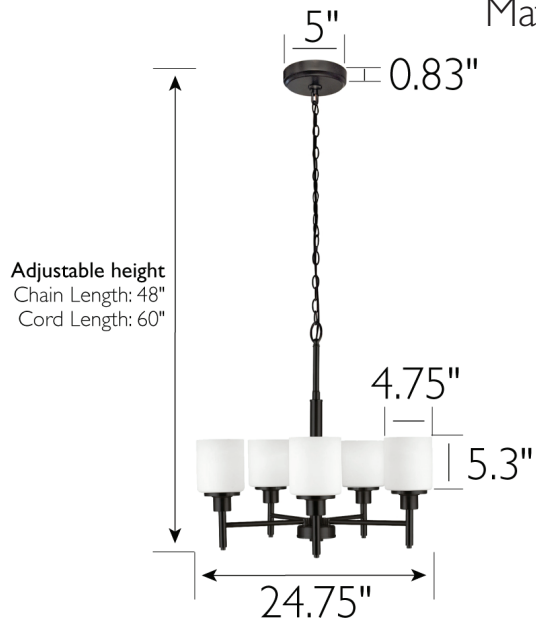


Aubrey 5-Light Chandelier Matte Black



SPECIFICATIONS

| | | | |
|----------------------------------|---------------------------------|------------------------------------------------|------|
| MOUNTING: | Chandelier | LED BRIGHTNESS (LUMENS): | N/A |
| SLOPED CEILING ADAPTABLE: | No | LED COLOR CORRELATED TEMPERATURE (CCT): | N/A |
| LAMP TYPE 1: | Maximum 60W Medium Base Bulb | LED COLOR RENDERING INDEX (CRI): | N/A |
| BULB INCLUDED: | No | LED EFFICACY: | N/A |
| WATTS PER BULB: | 60W | LED AVERAGE RATED LIFE: | N/A |
| TOTAL WATTAGE: | 300W | ENERGY EFFICIENT: | No |
| DIMMABLE: | Yes | LIGHTING AMPS: | 2.5 |
| MATERIAL CONSTRUCTION: | Steel | VOLTAGE: | 120V |
| ASSEMBLED DIMENSIONS: | 23.63" H x 24.75" L x 24.75" D | | |
| WEIGHT: | 10.14 lbs. | | |
| BACKPLATE DIMENSIONS: | N/A | | |
| CANOPY/PLATE DIMENSIONS: | 0.83" H x 5" W x 5" D | | |
| GLASS/SHADE DIMENSIONS: | 5.3" H x 4.75" L x 4.75" D | | |
| GLASS/SHADE MATERIAL: | Glass | | |
| GLASS/SHADE TYPE: | Frosted | | |
| GLASS/SHADE COLOR: | White | | |

| | |
|-------------------------------|--------------------------|
| WARRANTY: | 10-Year limited warranty |
| UL/ETL CERTIFICATION: | cETL/ETL |
| WET/DRY/DAMP LISTING: | Dry |
| ADA COMPLIANT: | No |
| ENERGY STAR CERTIFIED: | No |



| |
|-------------|
| TYPE: |
| JOB: |
| ORDER CODE: |
| APPROVALS: |