

**Features:**

**G0020318**

Include Components:

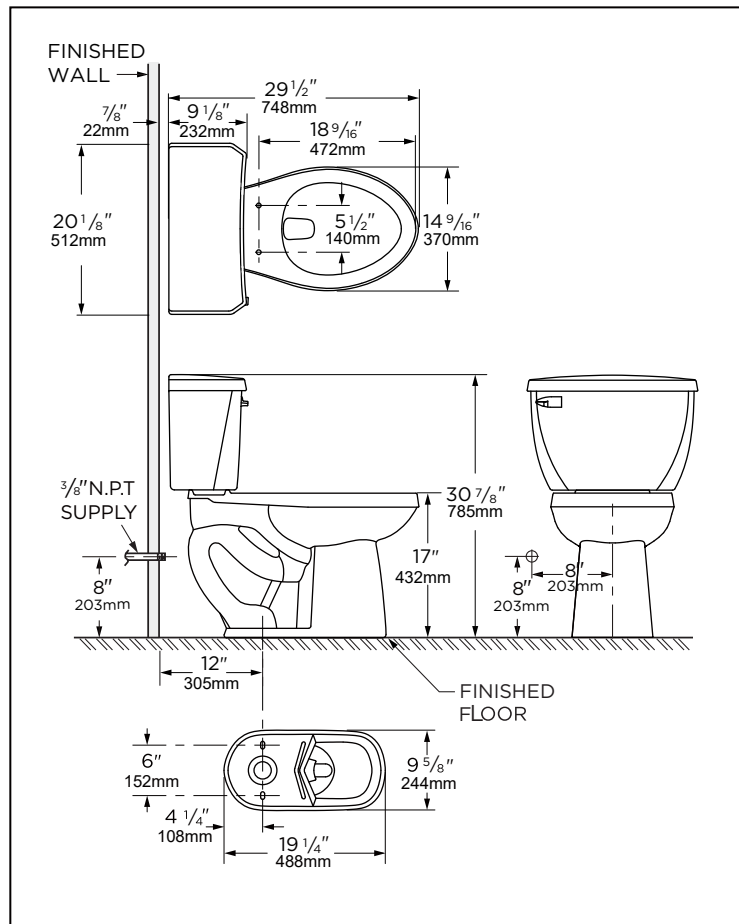
- Combination      G0020318
  - Bowl                GUF21377
  - Tank                G0028380

- Vitreous China
- 12" Rough-In
- 2" Flushmate® Pressure Flush Valve for Maximum Water Force
- Extra-Large Dual Fed Siphon Jet for High Power Bowl Clearing
- 100% Glazed, 2" Large Trapway for Clog-Free Waste Removal
- Double Nut Multi-Point Tank-to-Bowl Mounting System for Tool-Free Installation
- Chrome, Metal Front Tank Lever
- Color Matched Bolt Caps Included
- Toilet Seat Not Included



**Technical Information:**

Configuration	Two-Piece, Elongated ErgoHeight™ Toilet
Water Consumption	1.6 gpf (6.0 Lpf)
Rough-In	12"
Height	30 7/8"
Width	20 1/8"
Depth	29 1/2"
Trapway	2"
Water Surface	8 11/16" x 6 5/16"
Shipping Weight Bowl	52.9 lbs
Shipping Weight Tank	47.8 lbs



**Accessories Sold Separately:**

- Slow Close Toilet Seat      G0099213

**Other Tank Options:** (Sold Separately)

- Tank with Right Hand Lever      G002838097
- Tank with Lid Lock                G0028380LL

**Available Colors:**

- White
- Other: Refer to Price Book for Additional Colors

**Warranty:**

- Limited Lifetime on Vitreous China, refer to the website for more details.



**NOTES:** All dimensions are in inches and millimeters. Illustrations may not be drawn to scale.

**IMPORTANT:**

Dimensions of fixtures are nominal and may vary within the range of tolerances established by ASME standard A112.19.2/CSA B45.1 THIS FIXTURE QUALIFIES ACCORDING TO ASME TEST PROCEDURES AS A LOW CONSUMPTION WATER CLOSET WITH AN AVERAGE CONSUMPTION OF 1.6 gpf (6.0 Lpf). WATER CLOSET CONSUMPTION IS DETERMINED BY THE TANK.