



ELR-12536

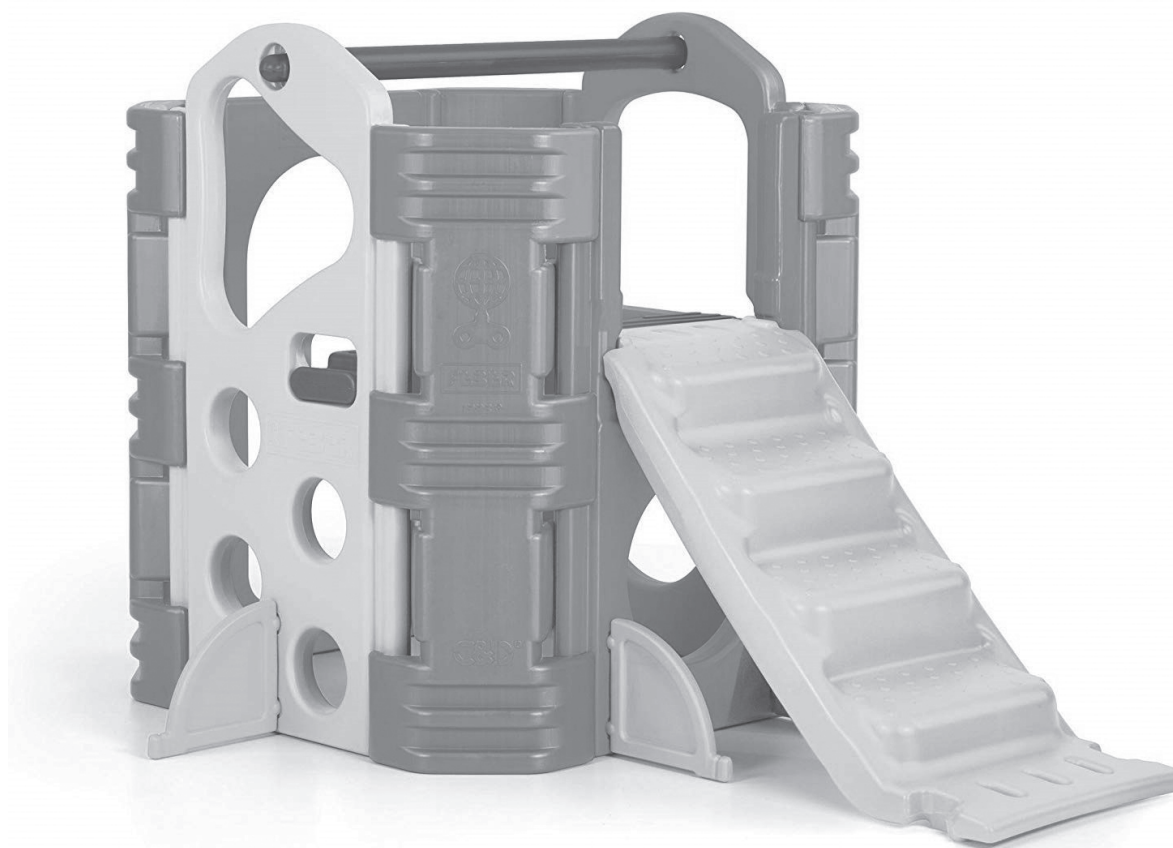
Activity Park

For assistance or replacement parts please contact:

ECR4Kids, LP
2245 San Diego Ave, #125
San Diego, CA 92110

Date Code on Carton: _____

Date of Purchase: _____



SAVE THIS DOCUMENT FOR FUTURE REFERENCE

ENGLISH

INTENDED FOR USE BY CHILDREN FROM AGES 3 – 6 YEARS.

MAXIMUM FALL HEIGHT FOR THIS PRODUCT IS ~~XXX~~ INCHES.

OBSERVE ALL STATEMENTS AND WARNINGS TO REDUCE THE LIKELIHOOD OF SERIOUS OR FATAL INJURY.

THIS CONFORMS TO ASTM F1148, CONSUMER SAFETY PERFORMANCE SPECIFICATION FOR HOME PLAYGROUND EQUIPMENT.



WARNING:

CHOKING HAZARD

· Small parts. Sharp points. Adult assembly required.



WARNING:

SERIOUS HEAD INJURY OR DEATH CAN OCCUR.

· Falls to a hard surface can result in serious injury or death.
· Do not install playground equipment over hard surfaces such as concrete asphalt, packed earth, grass, carpet or any other hard surface. Adult supervision required.



WARNING:

BURN HAZARD

· Always check the temperature of the product before letting your children play with it.
· Remember that the product may cause burns if left in direct sunlight.
· Always be aware of the sun and weather conditions, and do not assume that the equipment is safe because the air temperature is not very high.



WARNING:

STRANGULATION HAZARD

Serious injury or death can occur.

DO NOT:

Attach jump ropes, clothes lines, pet leashes or other loose hanging items not specifically designed for use with this equipment.

Allow children to wear scarves, mittens with cords through the sleeves, or clothing such as capes, ponchos, or items with drawstrings at the neck.

Allow children to wear helmets while playing on equipment.

Allow children to wear items around their necks such as necklaces, canteens, backpacks, handbags and binoculars.

SAFETY INFORMATION:

1. Create an obstacle-free site to reduce injury. Maintain a minimum distance of 6 feet (2 m) from structures or obstructions. Examples: a fence, buildings, garages, houses, low hanging branches, tree stumps/roots, large rocks, bricks, concrete, laundry lines, or electrical wires.
2. Choose a level location for the equipment to reduce the likelihood of the play set tipping over and loose fill surfacing materials from washing away during heavy rains.
3. Fall Height: 25 inches. Playground Surfacing Materials guidelines for acceptable fall protection are included in this instruction sheet. **See Addendum A**
4. Do not install product or surfacing material over concrete, asphalt, or any other hard surface. Grass and dirt are not considered protective surfacing because wear and environmental factors can reduce their shock absorbing effectiveness. Carpeting and thin mats are generally not adequate protective surfacing.
5. Playground equipment for home use **SHOULD NOT BE USED** indoors without installed fall protection. A fall onto a hard surface can result in serious injury.
6. To maintain the appropriate level of loose fill material, use containment, such as digging out around the perimeter and/or lining it with landscaping edging. Installations of rubber tiles or poured-in-place surfaces (other than loose-fill materials) require a professional.
7. Check to be sure all connections are tight. **DO NOT** allow children to play on the product until it is fully assembled.

OPERATION INSTRUCTIONS:

MAXIMUM NUMBER OF OCCUPANTS XXX

MAXIMUM WEIGHT CAPACITY XXX LBS

PROVIDE ADULT SUPERVISION AT ALL TIMES.

Instruct children to:

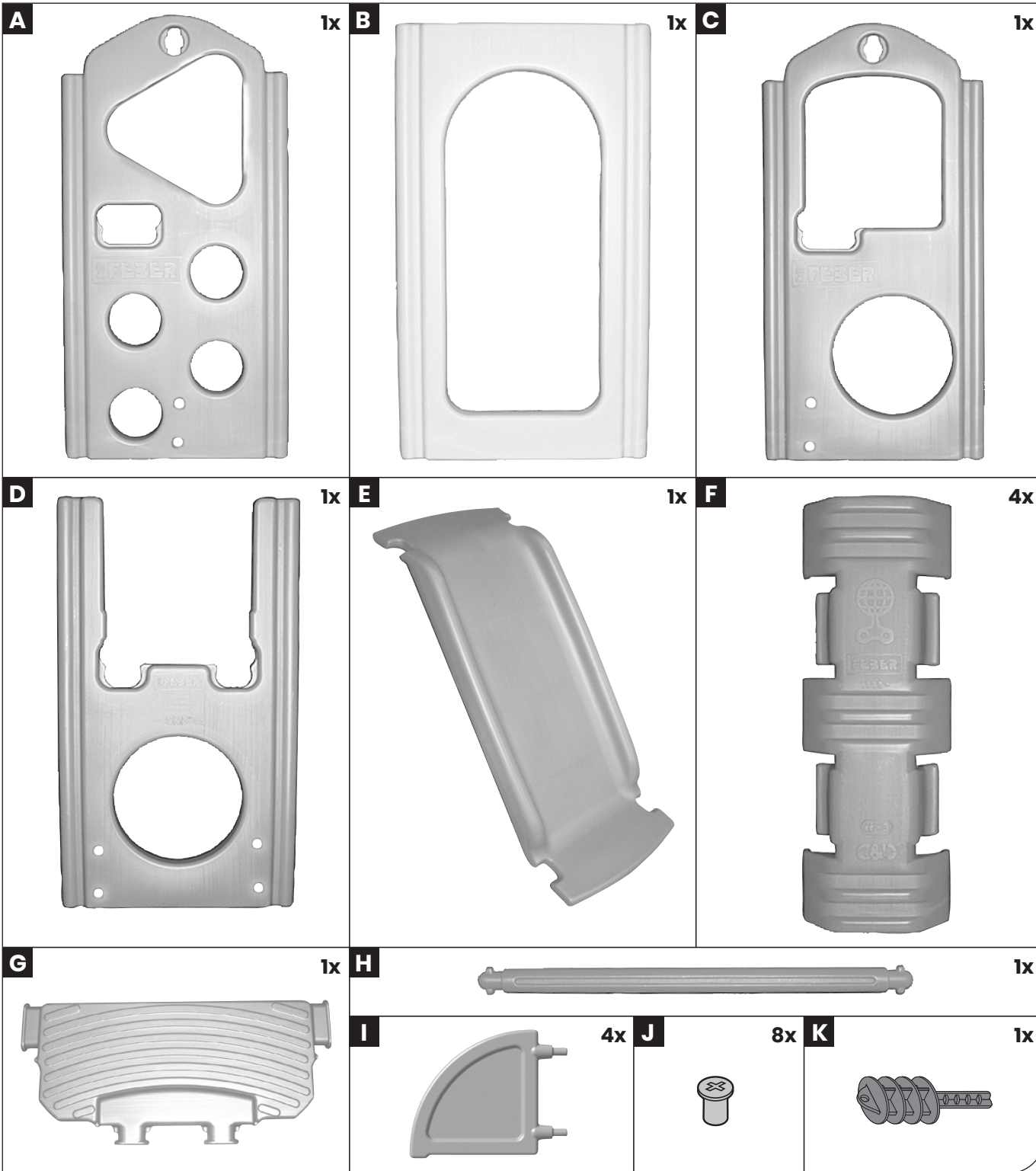
1. Not use the equipment in a manner other than intended.
2. Not to climb on equipment when it is snow-covered or wet.
3. Dress appropriately, including wearing well-fitting shoes that fully protect feet. Do not allow children to wear inappropriate items, such as but not limited to, loose fitting clothing, hood and neck drawstrings, scarves, cord-connected items, capes and ponchos. These items can cause death by strangulation.
4. Not to attach items to the playground equipment that are not specifically designed for use with the equipment, examples: jump rope, clothes lines, pet leashes, cables or chains.
5. Remove bike or other sports helmet before playing on the equipment.
6. Not to use this product when temperatures fall below 32°F (0°C). Plastic materials may become brittle and crack, creating an unsafe condition.

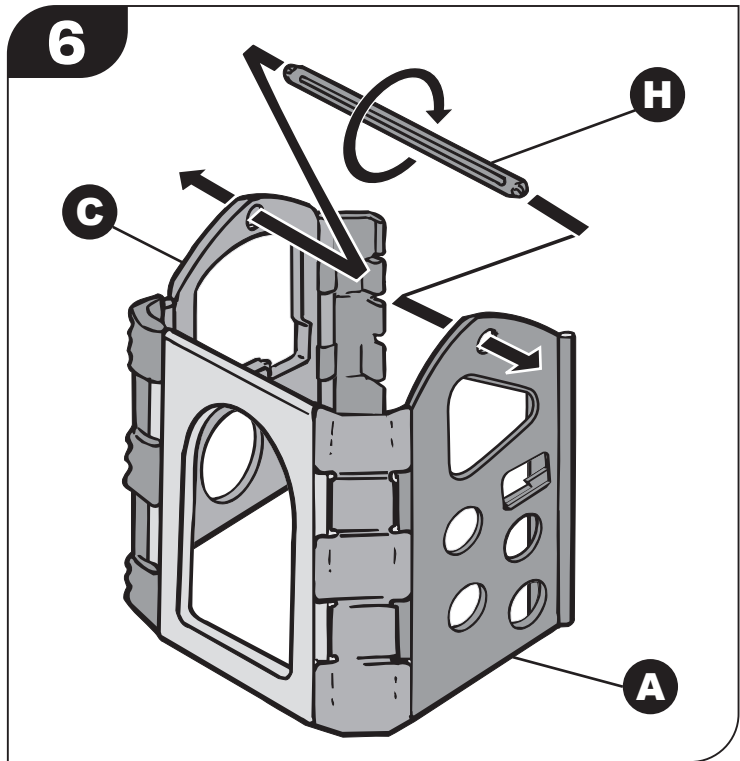
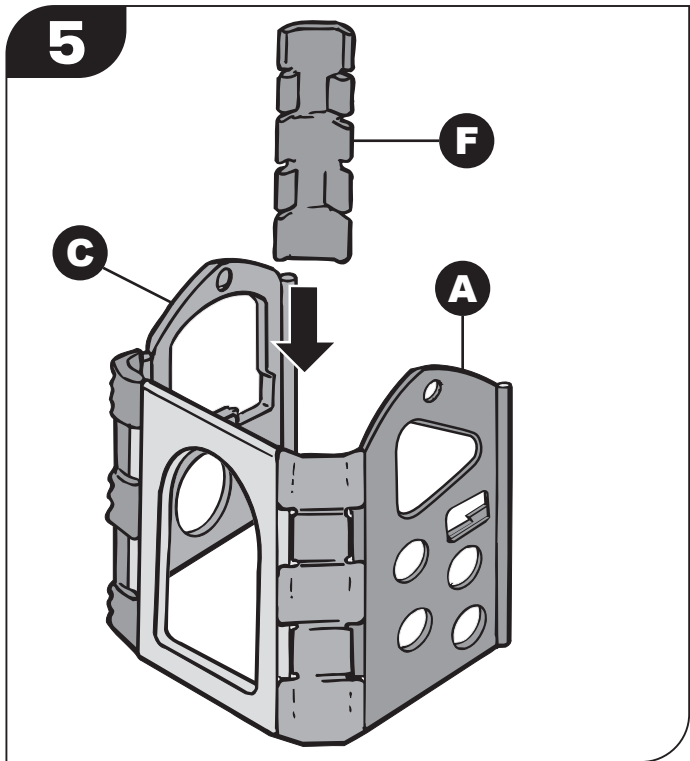
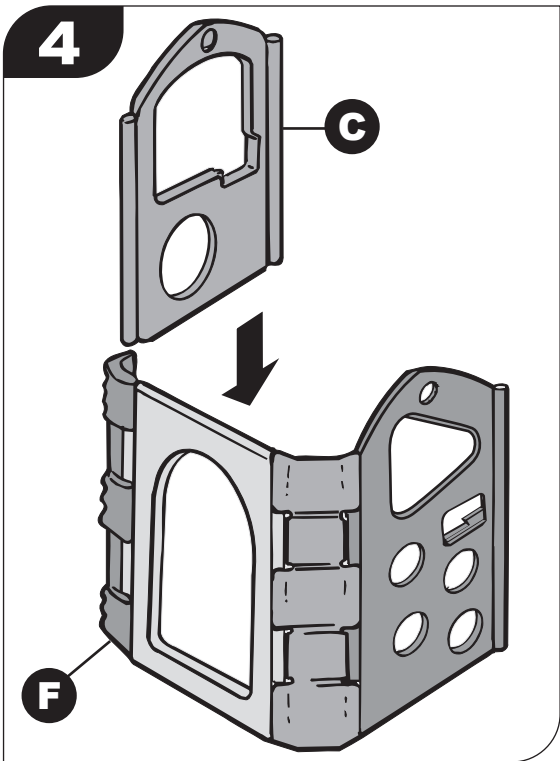
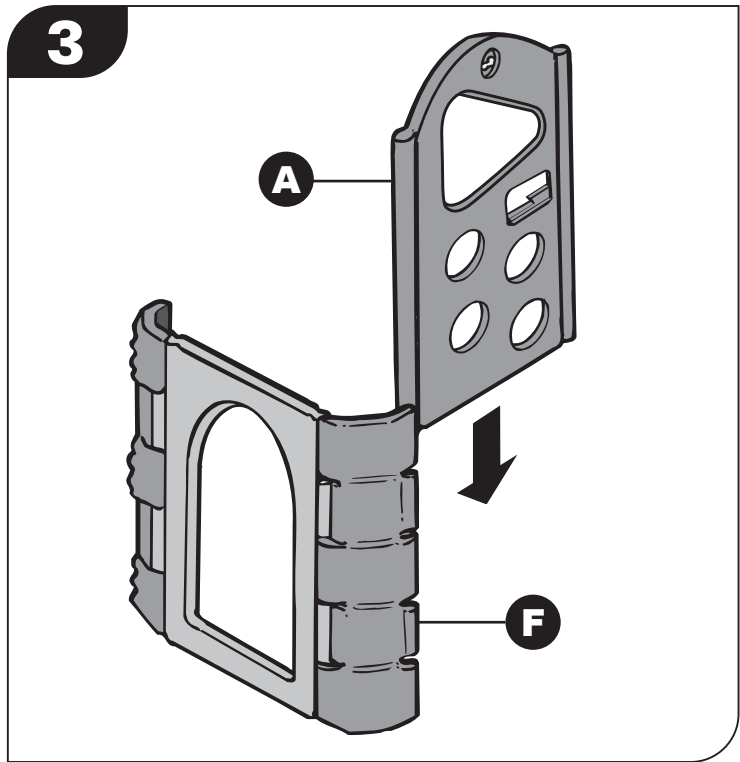
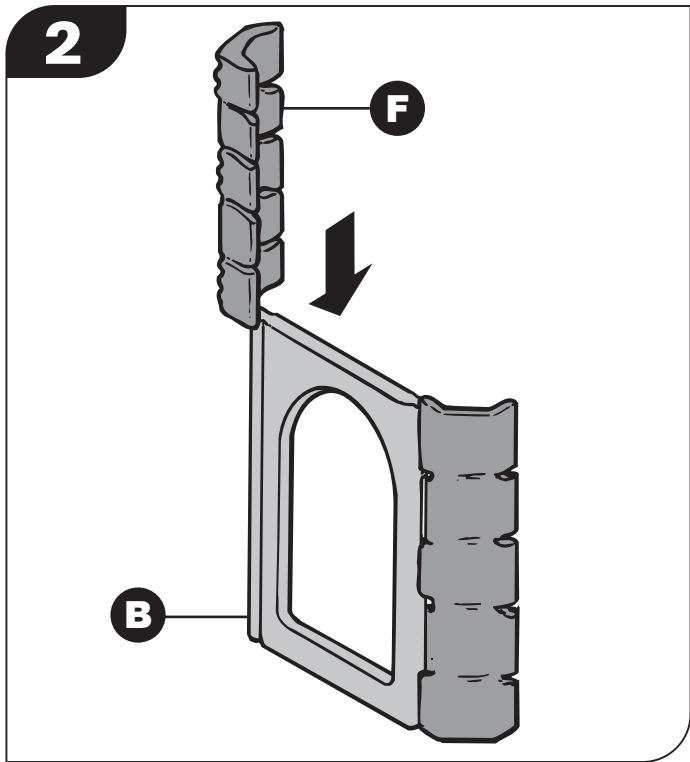
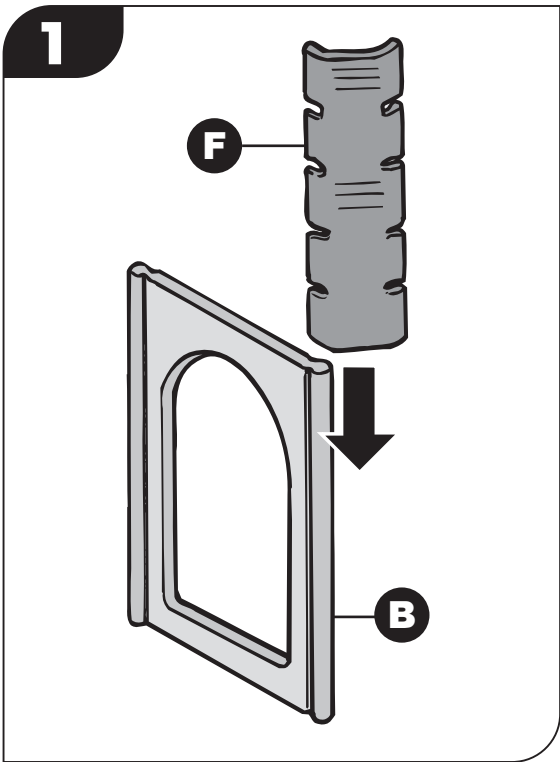
MAINTENANCE:

1. Check twice a month during play season. Tighten all hardware and replace worn or damaged components. Contact ECR4Kids for replacement parts.
2. Rake and check the depth of loose fill protective surfacing materials to prevent compaction and to maintain appropriate depth. Replace as necessary.
3. Take indoors or do not use when the temperature drops below 32°F (0°C).
4. Owners shall be responsible for maintaining the legibility of the warning labels and for children removing the warning label from the product.

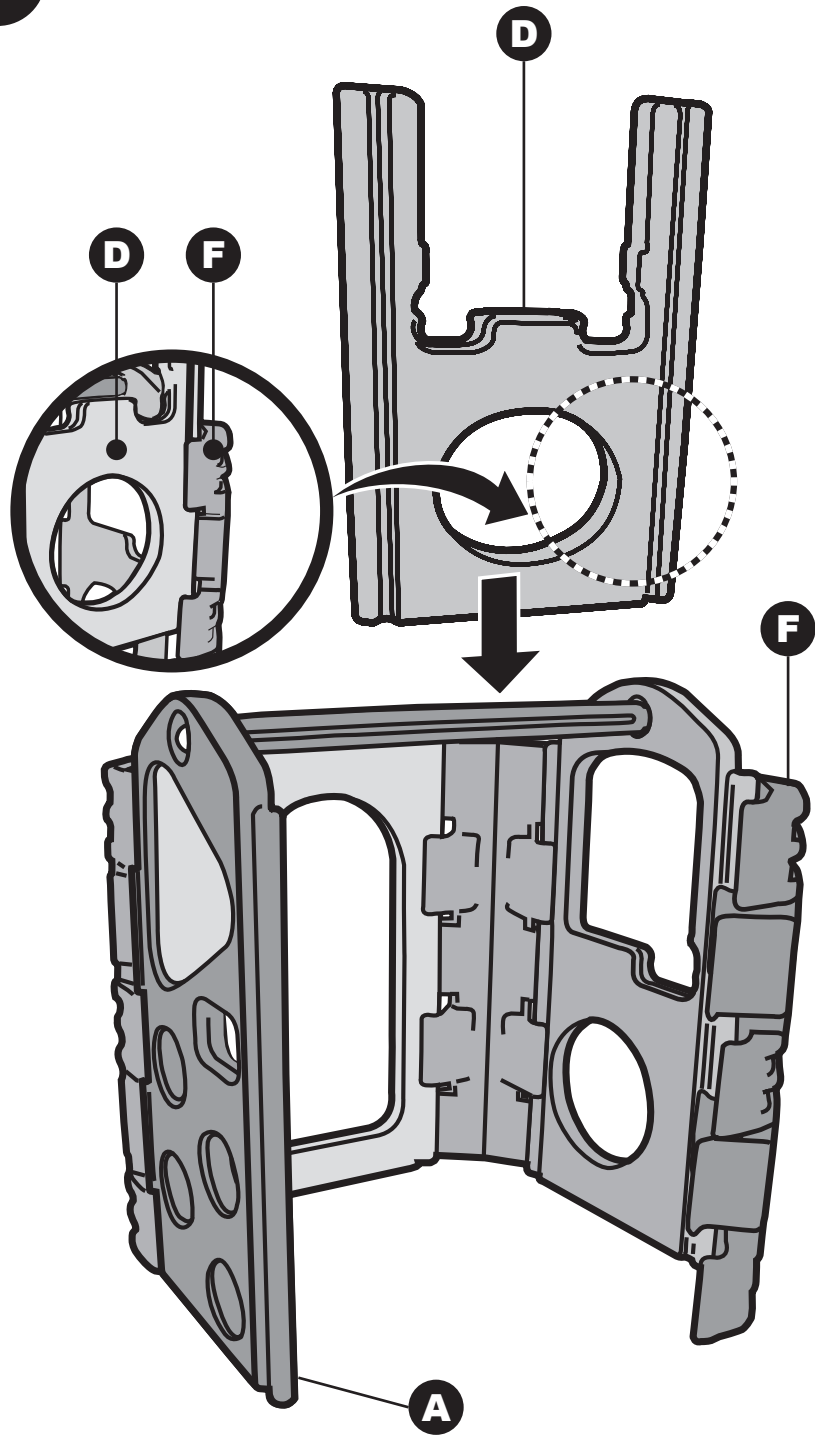
DISPOSAL INSTRUCTIONS:

Disassemble so that no unreasonable hazards exist. Please recycle when possible. Disposal must be in compliance with all government regulations.

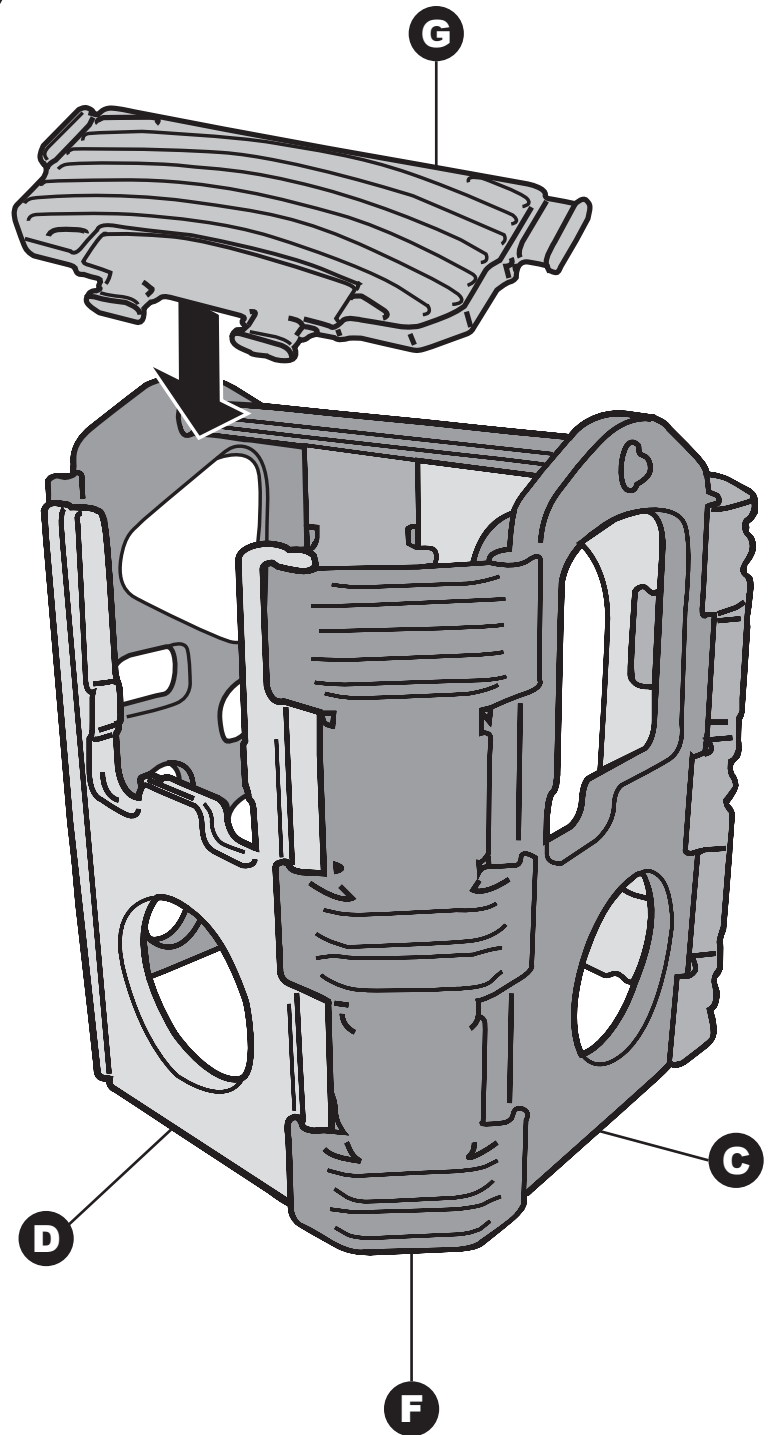




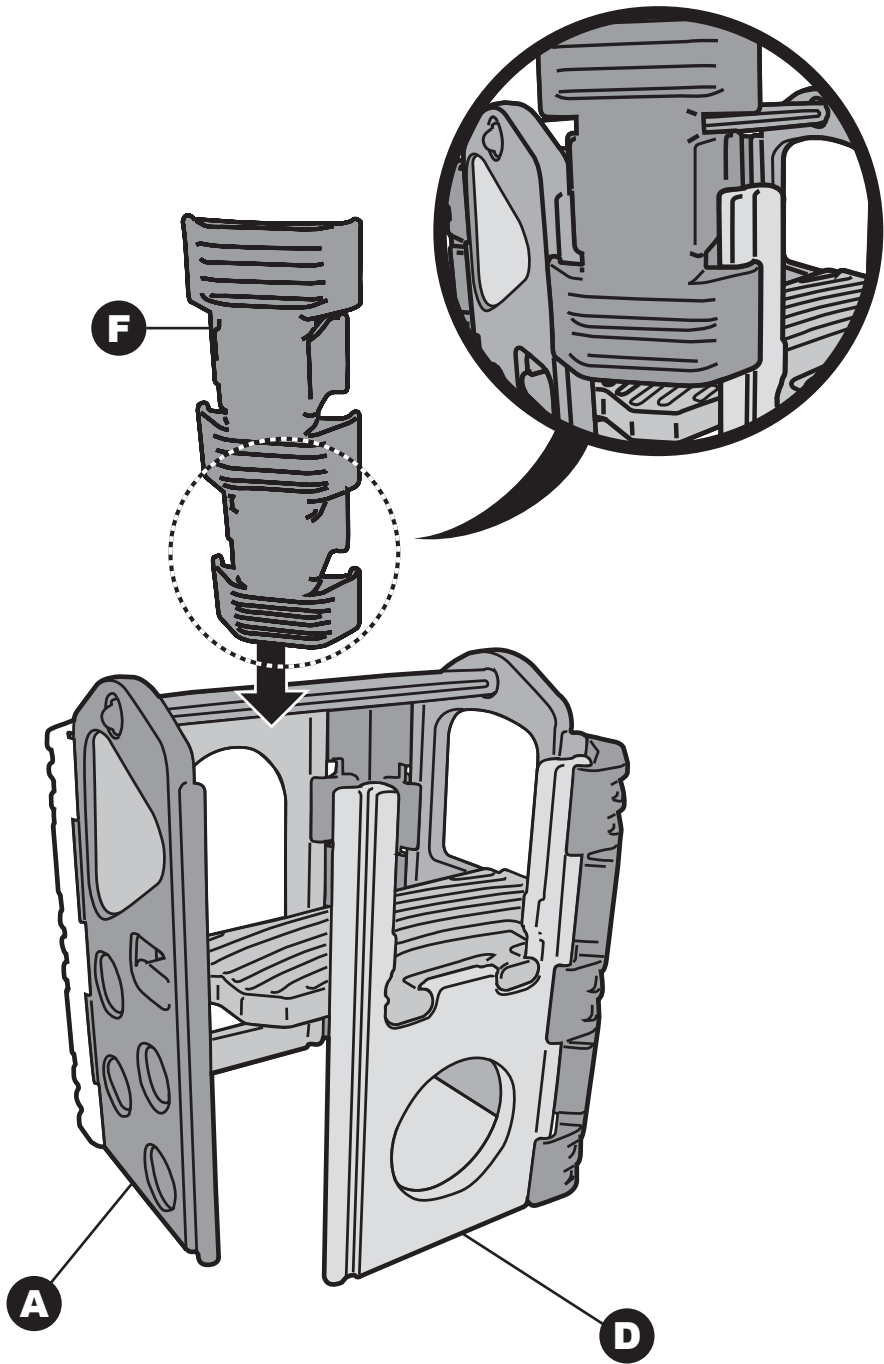
7



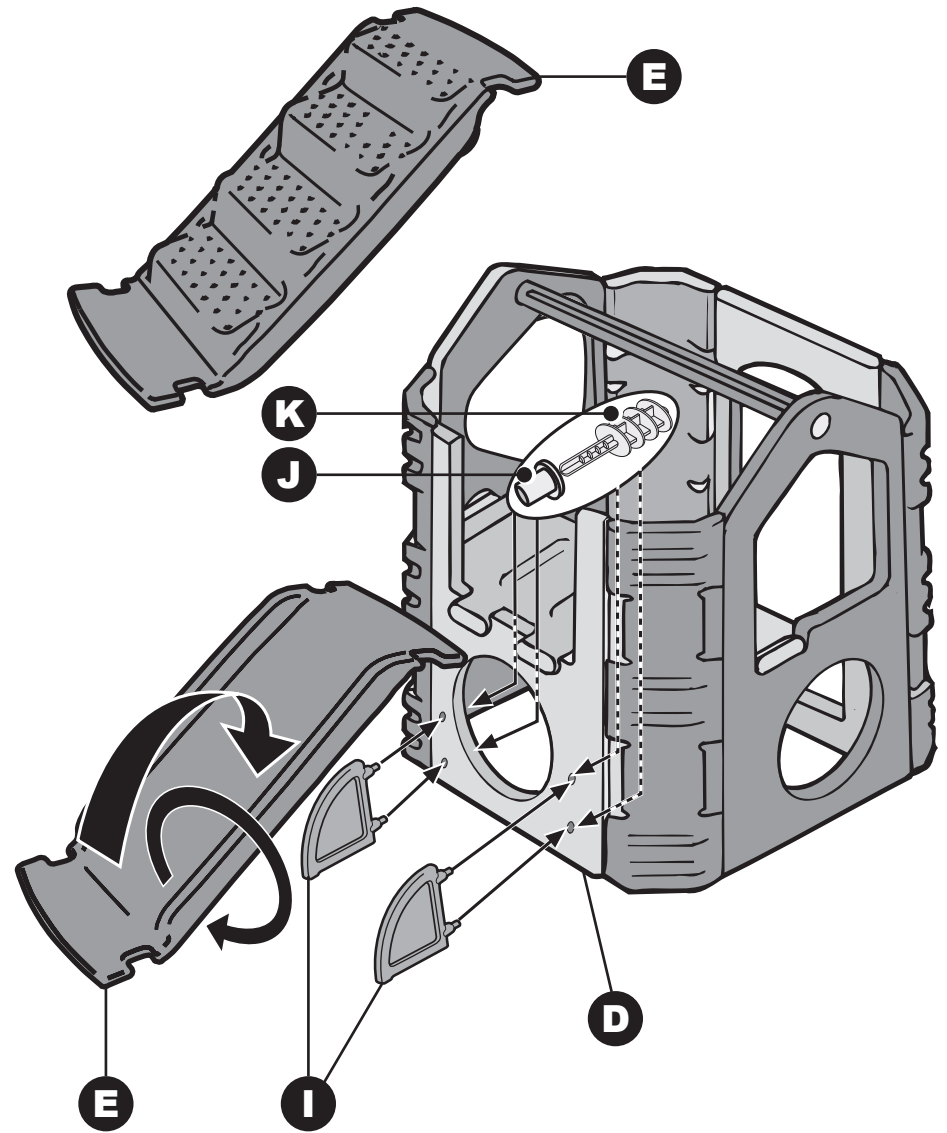
8

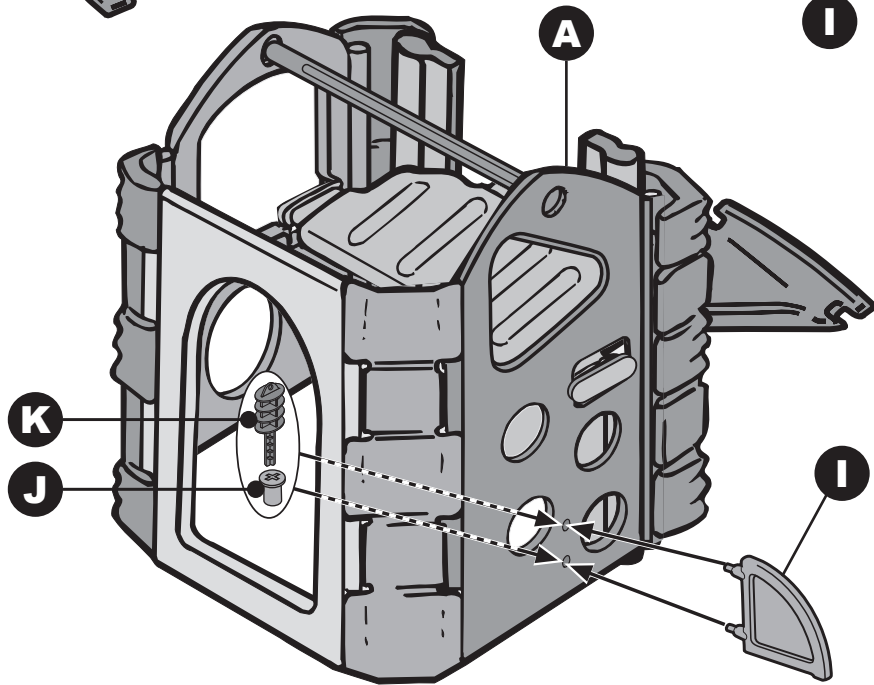
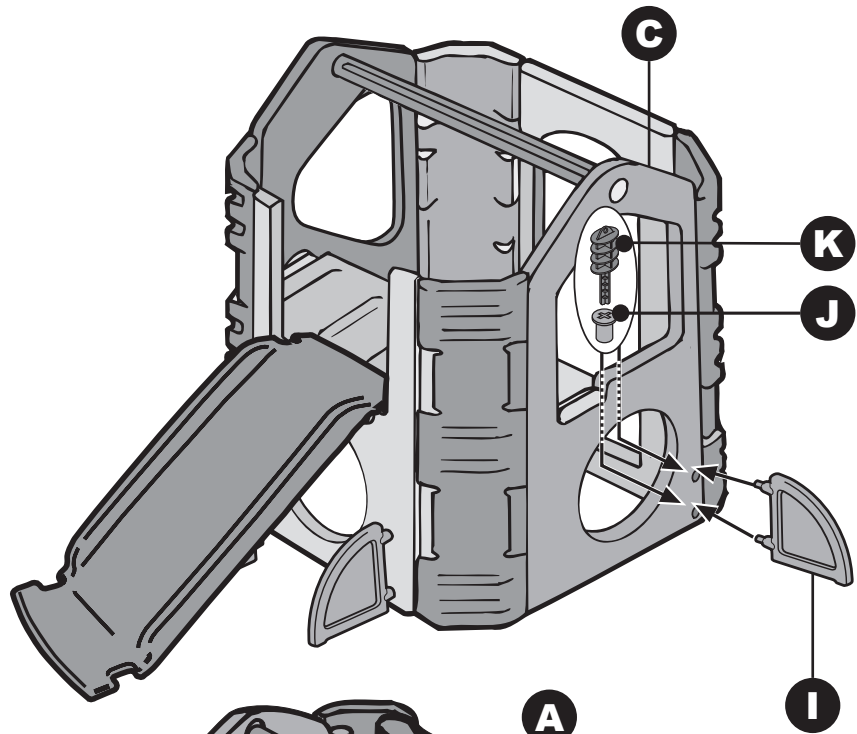


9



10







ECR4Kids, LP
2245 San Diego Ave, #125
San Diego, CA 92110

Minimum compressed loose-fill surfacing depths

Inches of	Loose-fill Material
6	Shredded/recycled rubber
6	Sand
6	Pea gravel
6	Wood mulch (non-CCA)
6	Wood chips

Addendum A – Consumer Information Sheet for Playground Surfacing Material

This information has been extracted from the CPSC publication “Playground Surfacing – Technical Information Guide”. Copies of this publication can be obtained by sending a postcard to the: Office of Public Affairs, U.S. Consumer Product Safety Commission, Washington, D.C., 20207 or call the toll-free hotline: 1-800-638-2772.

X3.1 The U.S. Consumer Product Safety Commission estimates that about 100,000 playground equipment-related injuries resulting from falls to the ground surface are treated annually in U.S. hospital emergency rooms. Injuries involving this hazard pattern tend to be among the most serious of all playground injuries, and have the potential to be fatal, particularly when the injury is to the head. The surface under and around playground equipment can be a major factor in determining the injury-causing potential of a fall. It is self-evident that a fall onto a shock-absorbing surface is less likely to cause a serious injury than a fall onto a hard surface.

X2.1.2 Loose-Fill Materials: Use a minimum of 6 in. (152 mm) of protective surfacing for play equipment less than 48 in. (1219 mm) in height. If maintained properly, this should be adequate. (At depths less than 6 in. (152 mm), the protective material is too easily displaced or compacted.) The surfacing will also compact, displace, and settle, and should be periodically refilled to maintain at least a 6 in. (152 mm) depth.

NOTE: Do not install home playground equipment over concrete, asphalt, or any other hard surface. A fall onto a hard surface can result in serious injury to the equipment user. Grass and dirt are not considered protective surfacing because wear and environmental factors can reduce their shock absorbing effectiveness. Carpeting and thin mats are generally not adequate protective surfacing.

X2.1.3 Use containment, such as digging out around the perimeter and/or lining the perimeter with landscape edging. Don't forget to account for water drainage. Check and maintain the depth of the loose-fill surfacing material. Do not install loose-fill surfacing over hard surfaces such as concrete or asphalt.

X2.1.4 Poured-In-Place Surfaces or Pre-Manufactured Rubber Tiles - You may be interested in using surfacing other than loose-fill materials like rubber tiles or poured-in-place surfaces. Installations of these surfaces generally require a professional and are not do-it-yourself projects.

X2.1.4.2 Review surface specifications before purchasing this type of surfacing. Ask the installer/manufacture for a report showing that the product has been tested to the following safety standard: ASTM F1292 Standard Specification for Impact Attenuation of Surfacing Materials within the Use Zone of Playground Equipment. This report should show the specific height for which the surface is intended to protect against serious head injury. This height should be equal to or greater than the fall height – vertical distance between a designated play surface (elevated surface for standing, sitting, or climbing) and the protective surfacing below – of your play equipment.

X2.1.4.3 Check the protective surfacing frequently for wear.

X2.1.5.1 Proper placement and maintenance of protective surfacing is essential. Be sure to extend surfacing at least 72 in. (1829 mm) from the equipment in all directions.