

Assembly Guide

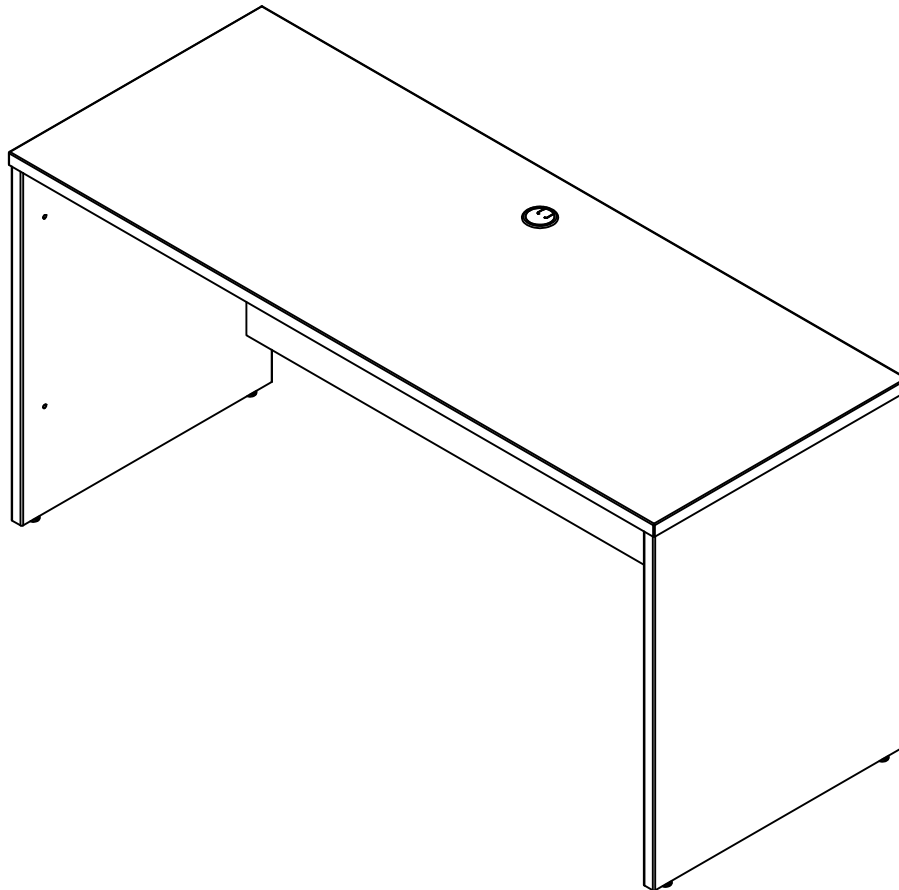


If you're having any difficulty during assembly of this product, don't hesitate to call us at **1-800-950-4782.**

Our customer service experts are trained to provide step-by-step instruction and can easily replace any missing or damaged parts.

Representatives are available Monday-Friday from 8:30 a.m. to 7:30 p.m. (ET)

60x24 Desk/Credenza/Return



Lot Code #

Instruction Sheet Number A177026K

Keep manual for future reference.

For best results, keep these tips in mind:

- ① We know you want to finish this assembly as quickly as possible, but trust us: you'll have a better experience if you take it one step at a time.
- ② Give yourself some room to work near where you want the fully assembled product.
- ③ If your floor isn't carpeted, assemble this product on the empty carton to avoid scratching.
- ④ Do you have a friend who owes you a favor? Some steps may go a little easier with a second set of hands.

DOs

- ✔ Use a #2 Phillips head screwdriver (or other handheld tools as indicated)
- ✔ Wear safety glasses at all times during assembly
- ✔ Carefully follow the instructions in this guide and complete all steps in order
- ✔ Give us a call if you're having trouble with a particularly tricky step

DON'Ts

- ✘ We know power tools are quick and easy, but you shouldn't use them when assembling this product (unless otherwise specified)
- ✘ Never move your furniture with items inside or resting on the surface
- ✘ Do not attempt to use this product before all steps have been completed



Watch assembly videos right on your phone or computer!



Some steps include QR codes that link to helpful videos. Watch out for the icon below! Simply open up your smartphone camera to scan the code.

(Users of older smartphones may need to install a QR Reader.)

SCAN HERE



FOR VIDEOS

Or visit <https://www.bushbusinessfurniture.com/CustomerService/HowtoAssemble.aspx>

IMPORTANT SAFETY INFORMATION



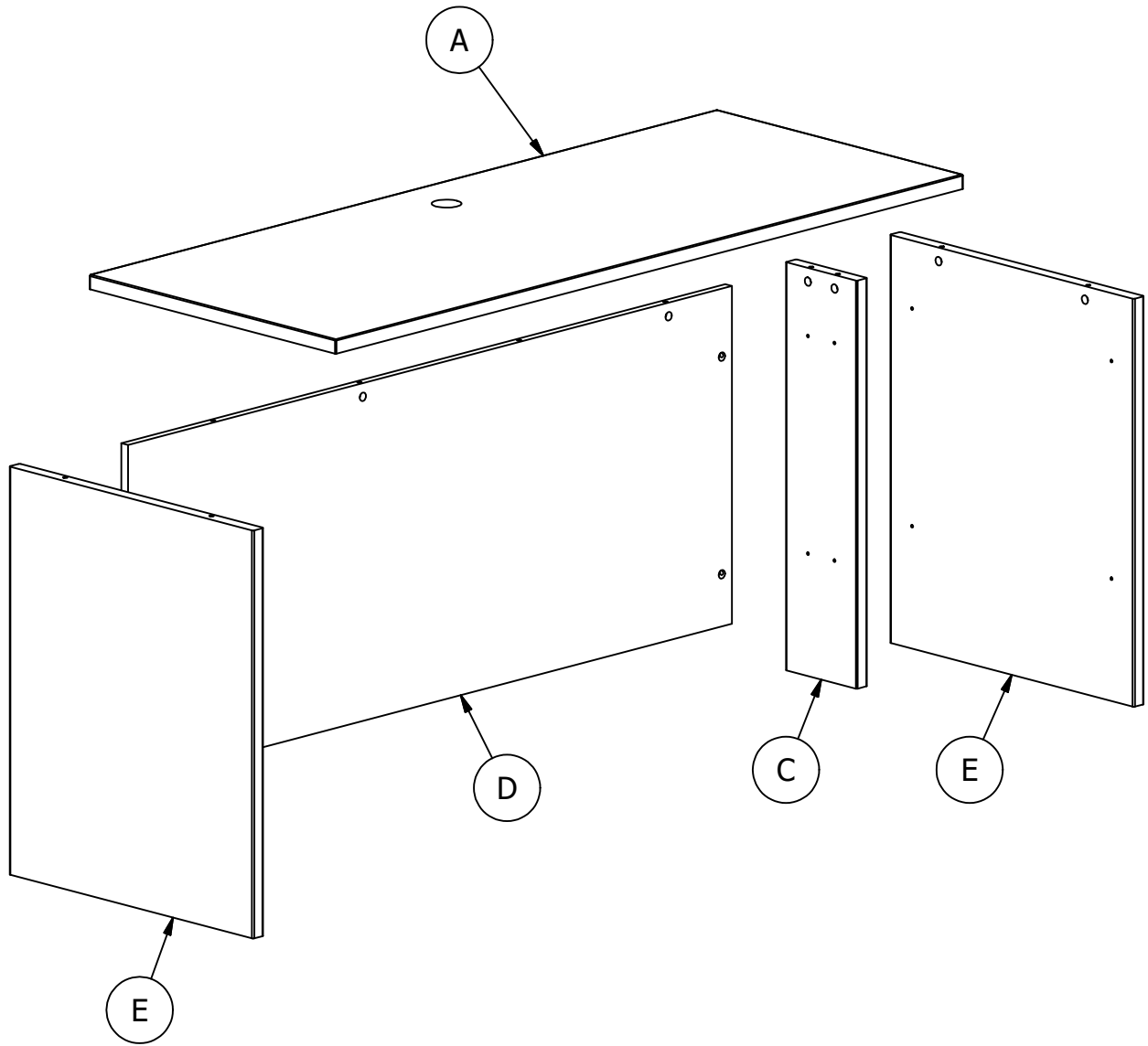
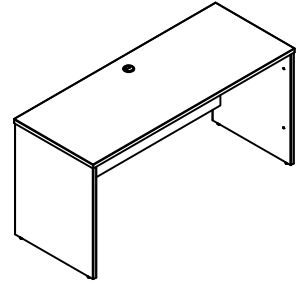
PLEASE READ WARNINGS

Improper use can cause safety hazards, or damage to your furniture and household items.

Warning	Do	Don't	Why it's important
Serious injury may occur.	<ul style="list-style-type: none">Assemble following all instructions using all indicated parts and hardware provided.	<ul style="list-style-type: none">Do not move unit when loaded.Do not load with a television or other heavy equipment.Do not exceed the maximum load limits stated in the instructions.	Improper assembly, use or loading can lead to product instability, tipover, or collapse.


Advertencia	Hacer	No	Por qué es importante
Pueden producirse lesiones graves.	<ul style="list-style-type: none">Realice el montaje siguiendo todas las instrucciones y utilizando todas las piezas indicadas y los herrajes suministrados.	<ul style="list-style-type: none">No mueva la unidad cuando esté cargada.No cargue el mueble con un televisor u otro equipo pesado.No supere los límites máximos de carga indicados en las instrucciones.	El montaje, uso o carga inadecuados pueden provocar inestabilidad, vuelco o colapso del producto.

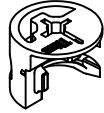
Avertissement	À faire	À ne pas faire	Pourquoi c'est important
Peut entraîner des blessures graves.	<ul style="list-style-type: none">Assembler en suivant toutes les instructions et en utilisant toutes les pièces et la quincaillerie incluses.	<ul style="list-style-type: none">Ne pas déplacer le meuble lorsqu'il est chargé.Ne pas charger le meuble avec un téléviseur ou tout autre équipement lourd.Ne pas dépasser les limites de poids maximales indiquées dans les instructions.	Un assemblage, une utilisation ou un chargement incorrects peuvent entraîner l'instabilité, le basculement ou l'effondrement du produit.

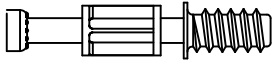


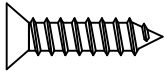
Have an assembly question or need a replacement part? Just call
1-800-950-4782, we are here to help.

Fasteners are shown actual size.

H38169  [2]
Wood Dowel 8 x 30

H181468US  [10]
KD Cam3000

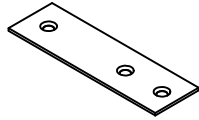
H72988  [10]
KD Bolt

H92810  [3]
#10 x 3/4"

Have an assembly question or need a replacement part? Just call
1-800-950-4782, we are here to help.

Hardware not to scale.

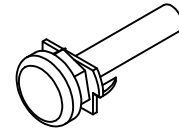
H92809



Strap

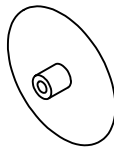
[1]

H209601



Leveler

[4]



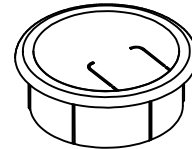
Cover Cap

[10]



5mm Hole Plug

[4]



Grommet

[1]

Have an assembly question or need a replacement part? Just call
1-800-950-4782, we are here to help.

WC12961, WC24461, WC36761,
WC60361, WC72461, SCD360WH
SCD360PG, SCD360SG, SCD360CS
SCD360AC, SCD360SO, SCD360HC,
SCD360BW, SCD360MH, SCD360NE

Go to Step 2.
Proceda al paso 2.
Allez à l'étape 2.

WC12961, WC24461, WC36761,
WC60361, WC72461, SCD360WH
SCD360PG, SCD360SG, SCD360CS
SCD360AC, SCD360SO, SCD360HC,
SCD360BW, SCD360MH, SCD360NE

WC12961, WC24461, WC36761,
WC60361, WC72461, SCD360WH
SCD360PG, SCD360SG, SCD360CS
SCD360AC, SCD360SO, SCD360HC,
SCD360BW, SCD360MH, SCD360NE

Go to Step 7.
Proceda al paso 7.
Allez à l'étape 7.

WC12961, WC24461, WC36761,
WC60361, WC72461, SCD360WH
SCD360PG, SCD360SG, SCD360CS
SCD360AC, SCD360SO, SCD360HC,
SCD360BW, SCD360MH, SCD360NE

WC12961, WC24461, WC36761,
WC60361, WC72461, SCD360WH
SCD360PG, SCD360SG, SCD360CS
SCD360AC, SCD360SO, SCD360HC,
SCD360BW, SCD360MH, SCD360NE

Go to Step 13.
Proceda al paso 13.
Allez à l'étape 13.

STEP 2

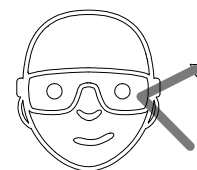
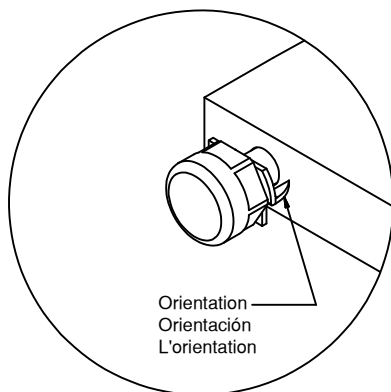
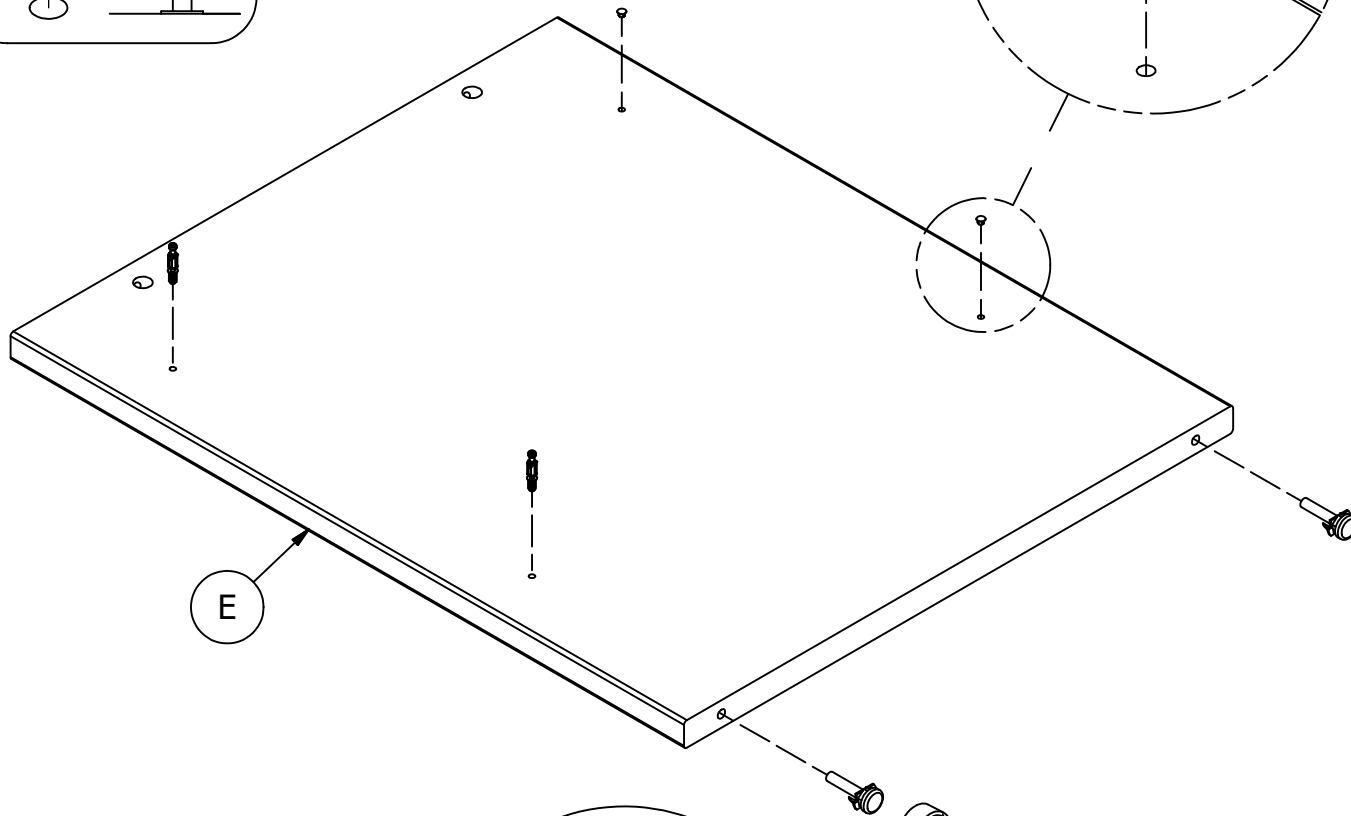
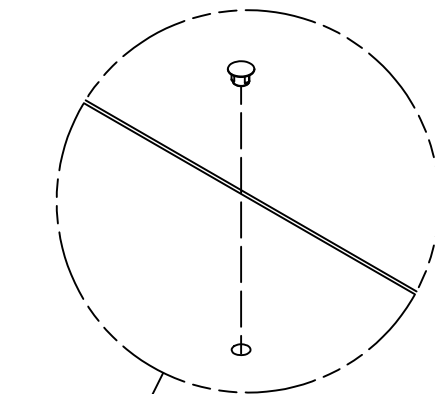
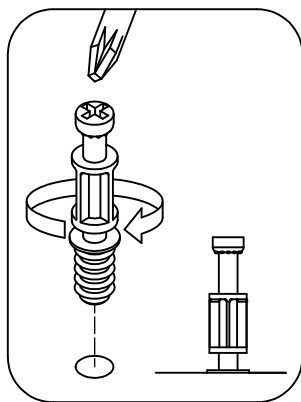
Prepare Panel

A177026K

H72988 [2]
KD Bolt

H209601 [2]
Leveler

[2]
5mm Hole Plug



Safety glasses
Gafas de seguridad
Lunettes de protection

Have an assembly question or need a replacement part? Just call
1-800-950-4782, we are here to help.

STEP 3

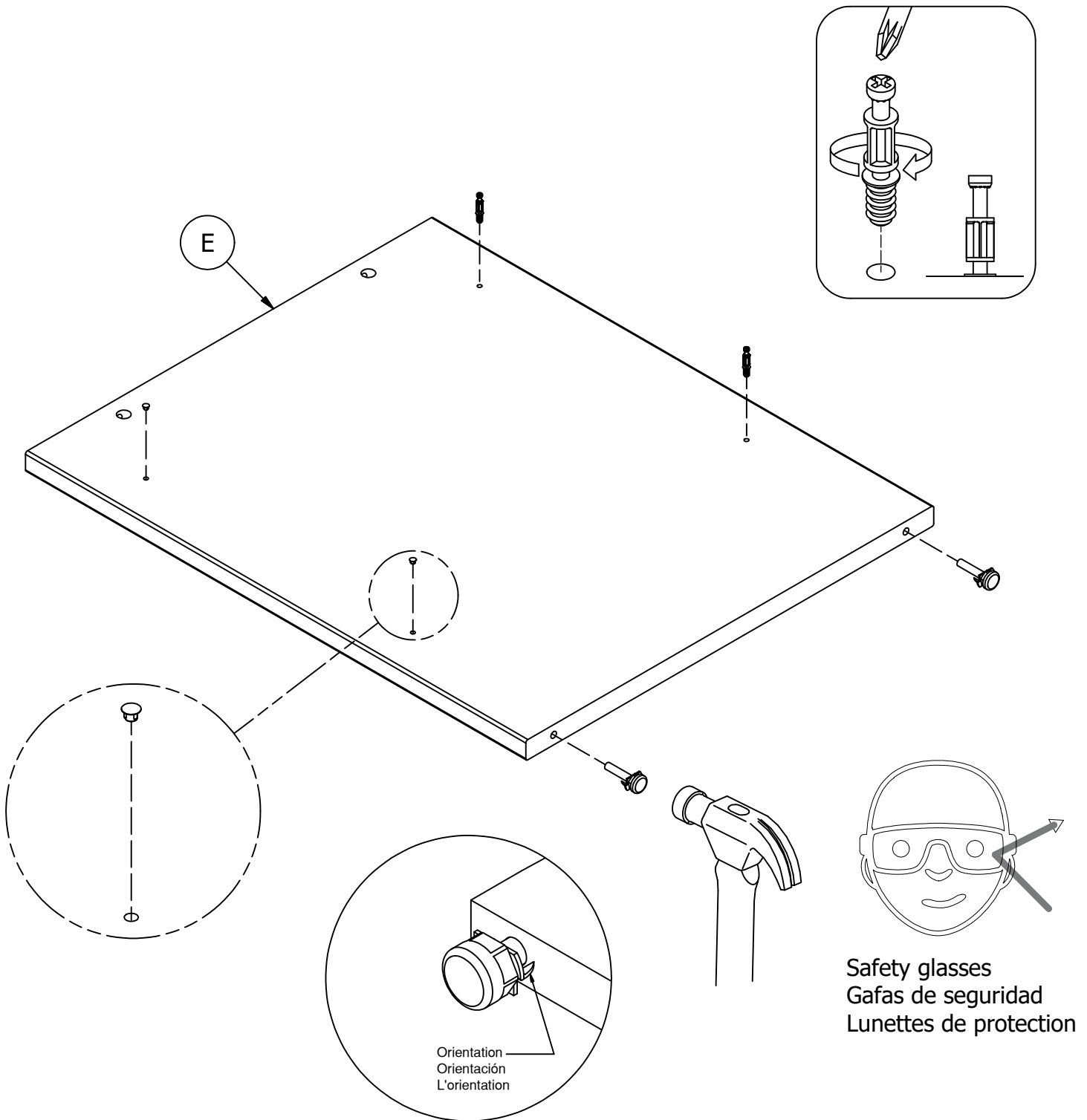
Prepare Panel

A177026K

H72988 [2]
KD Bolt

H209601 [2]
Leveler

[2]
5mm Hole Plug



Have an assembly question or need a replacement part? Just call
1-800-950-4782, we are here to help.

STEP 4

Assemble Panels

A177026K

Scan QR Code to Watch Video on:



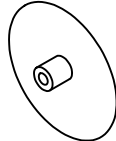
How to Tighten KD Cams

H181468US



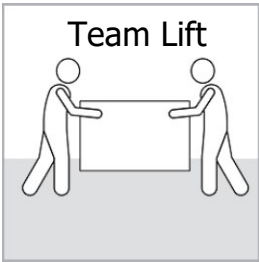
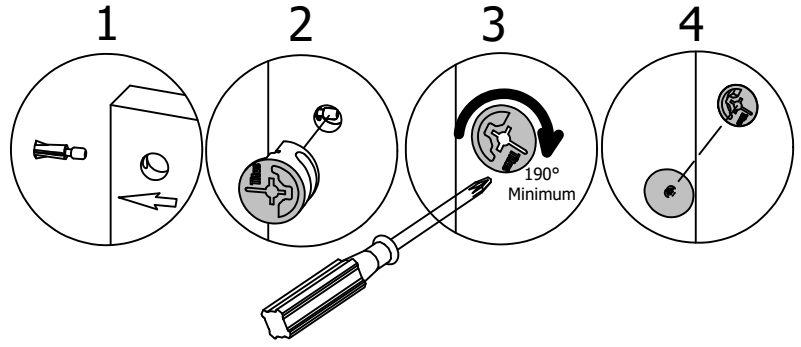
KD Cam3000

[4]



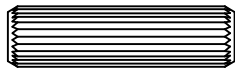
Cover Cap

[4]



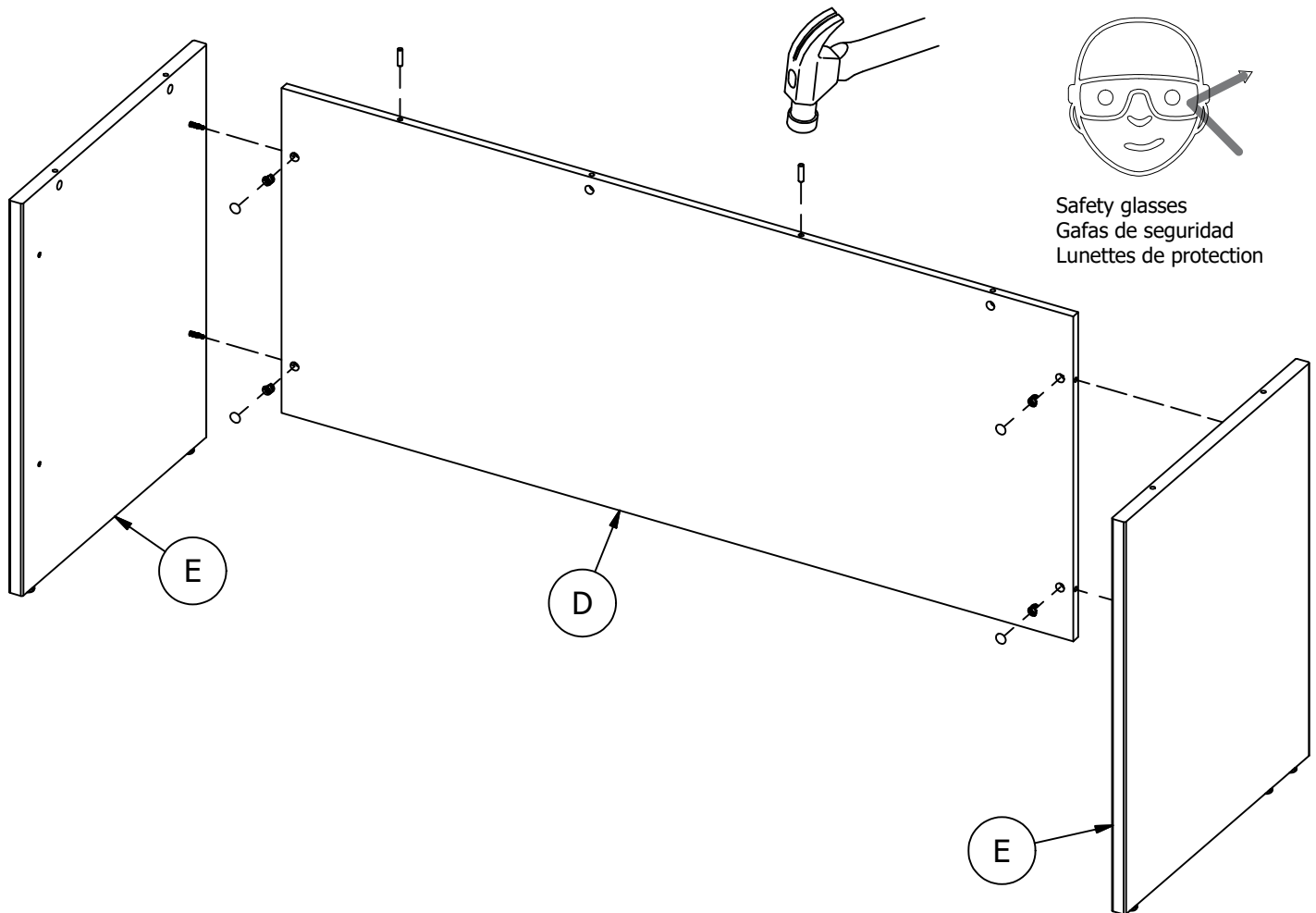
Team Lift

H38169



Wood Dowel 8 x 30

[2]



Safety glasses
Gafas de seguridad
Lunettes de protection

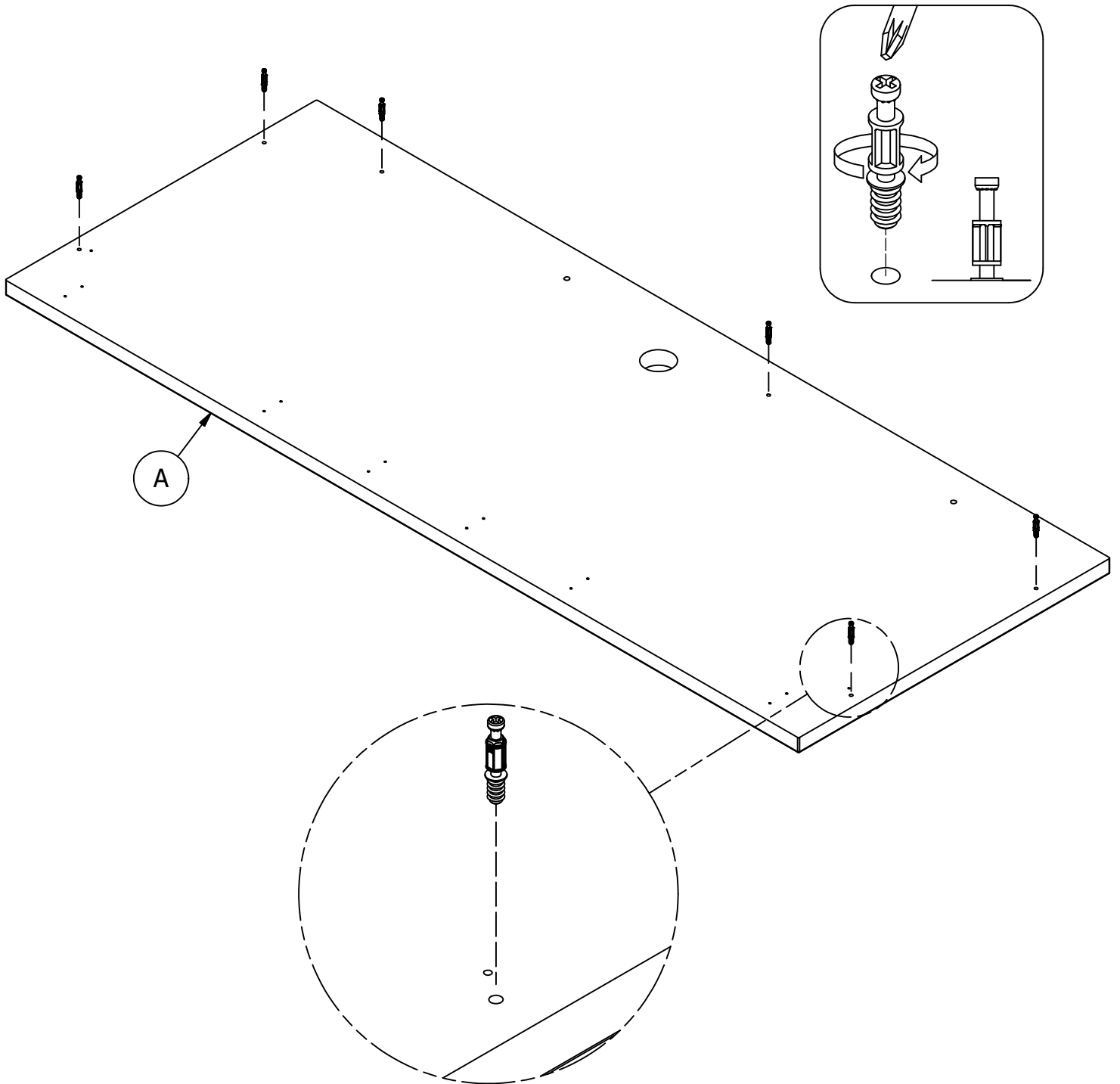
Have an assembly question or need a replacement part? Just call **1-800-950-4782**, we are here to help.

STEP 5

Prepare Panel

A177026K

H72988 [6]
KD Bolt



Have an assembly question or need a replacement part? Just call
1-800-950-4782, we are here to help.

STEP 6

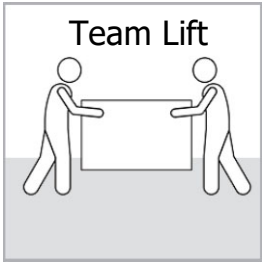
Assemble Panel

A177026K

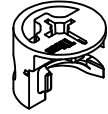
Scan QR Code to Watch Video on:



How to Tighten KD Cams



H181468US



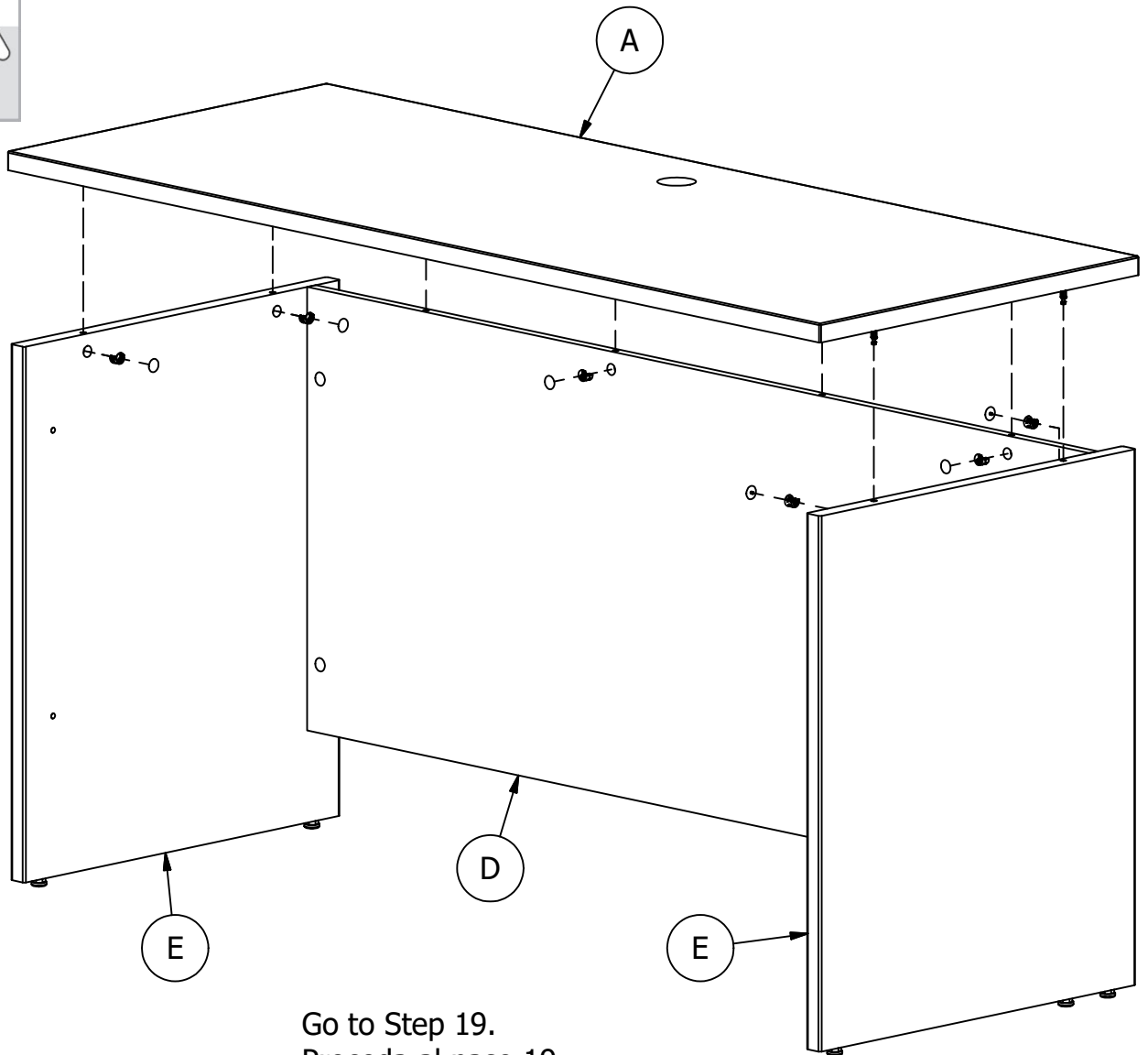
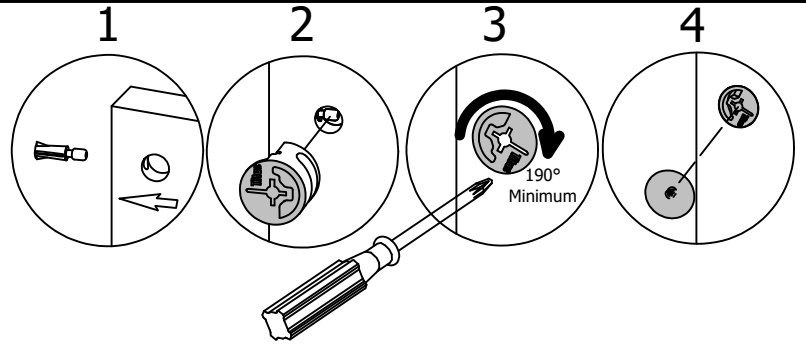
KD Cam3000

[6]



Cover Cap

[6]



Go to Step 19.
Proceda al paso 19.
Allez à l'étape 19.

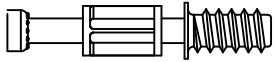
Have an assembly question or need a replacement part? Just call **1-800-950-4782**, we are here to help.

STEP 7

Prepare Panel

A177026K

H72988



[2]

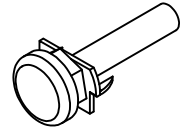
KD Bolt



[2]

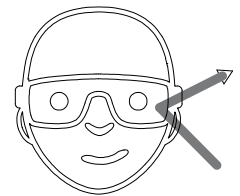
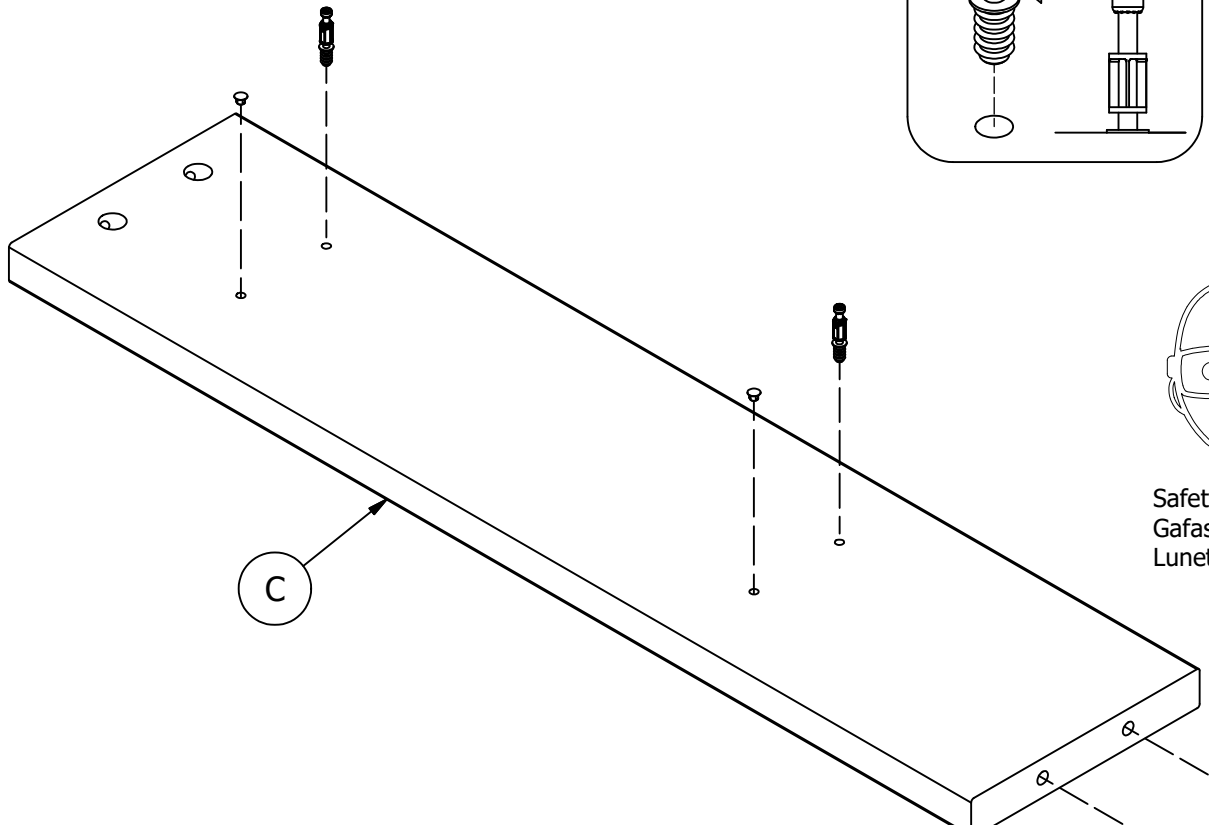
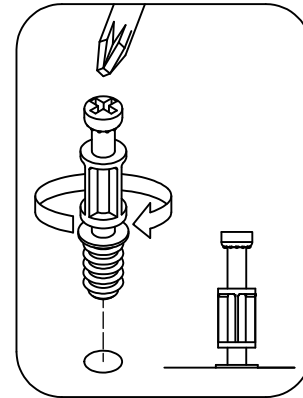
5mm Hole Plug

H209601

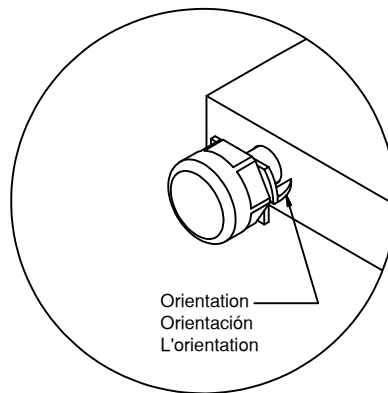


[2]

Leveler



Safety glasses
Gafas de seguridad
Lunettes de protection



Have an assembly question or need a replacement part? Just call **1-800-950-4782**, we are here to help.

STEP 8

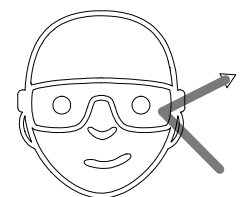
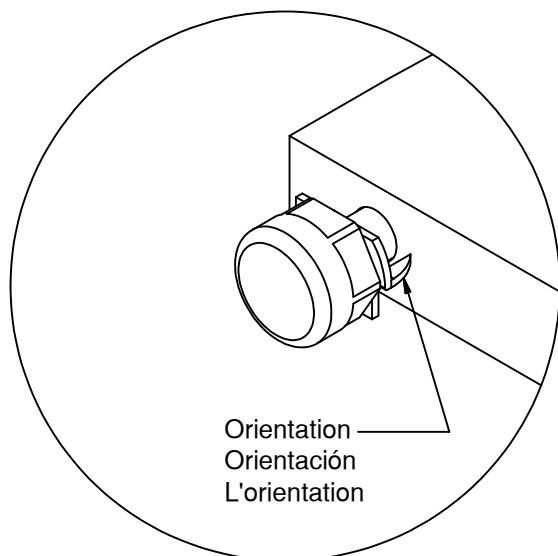
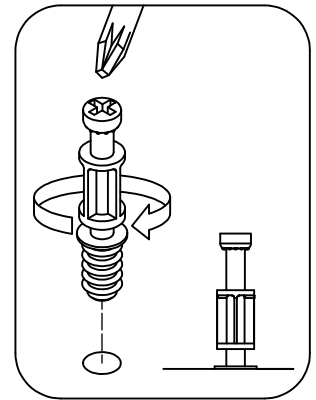
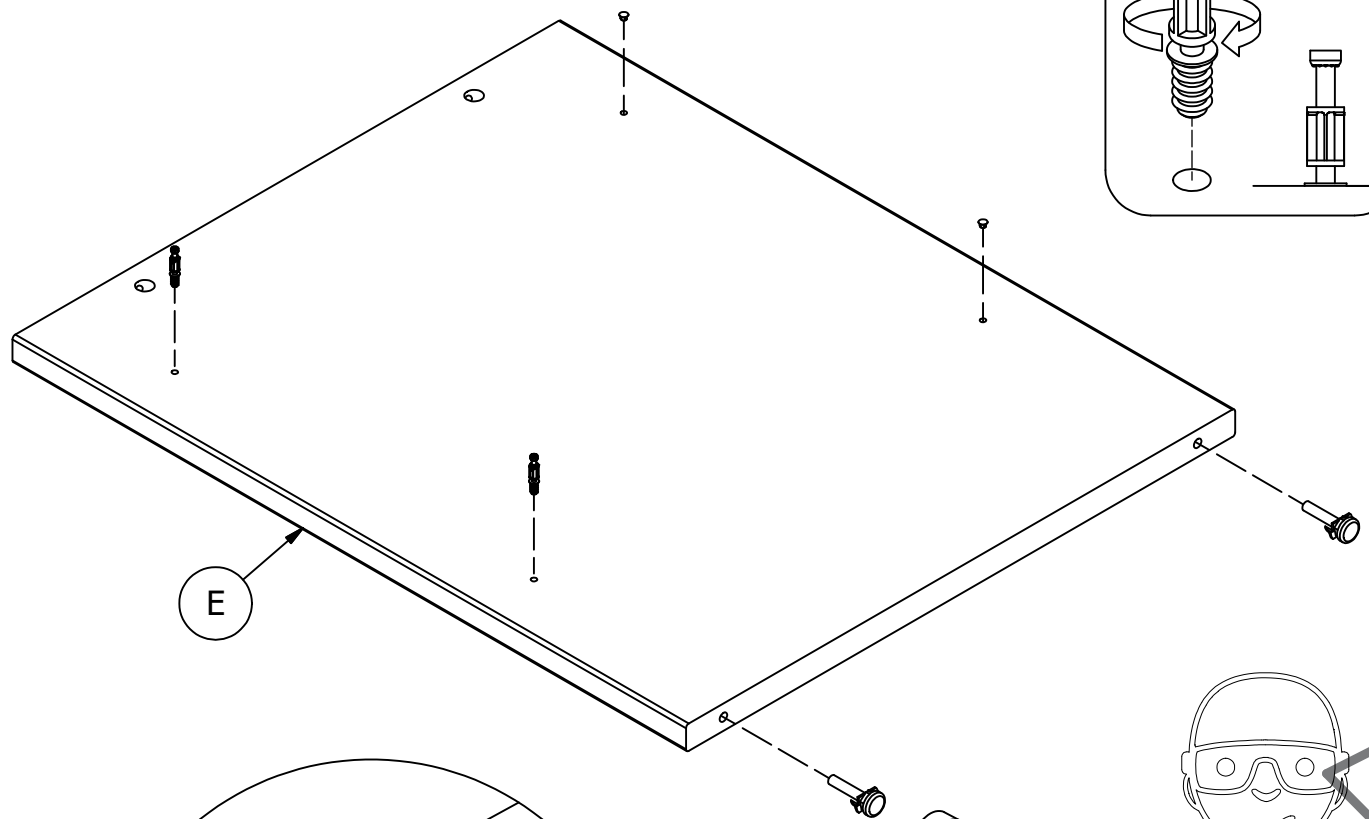
Prepare Panel

A177026K

H72988 [2]
KD Bolt

[2]
5mm Hole Plug

H209601 [2]
Leveler



Safety glasses
Gafas de seguridad
Lunettes de protection

Have an assembly question or need a replacement part? Just call
1-800-950-4782, we are here to help.

STEP 9

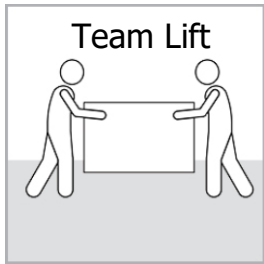
Assemble Panels

A177026K

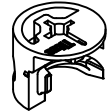
Scan QR Code to Watch Video on:



How to Tighten KD Cams



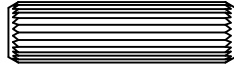
H181468US



KD Cam3000

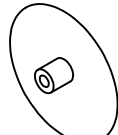
[4]

H38169



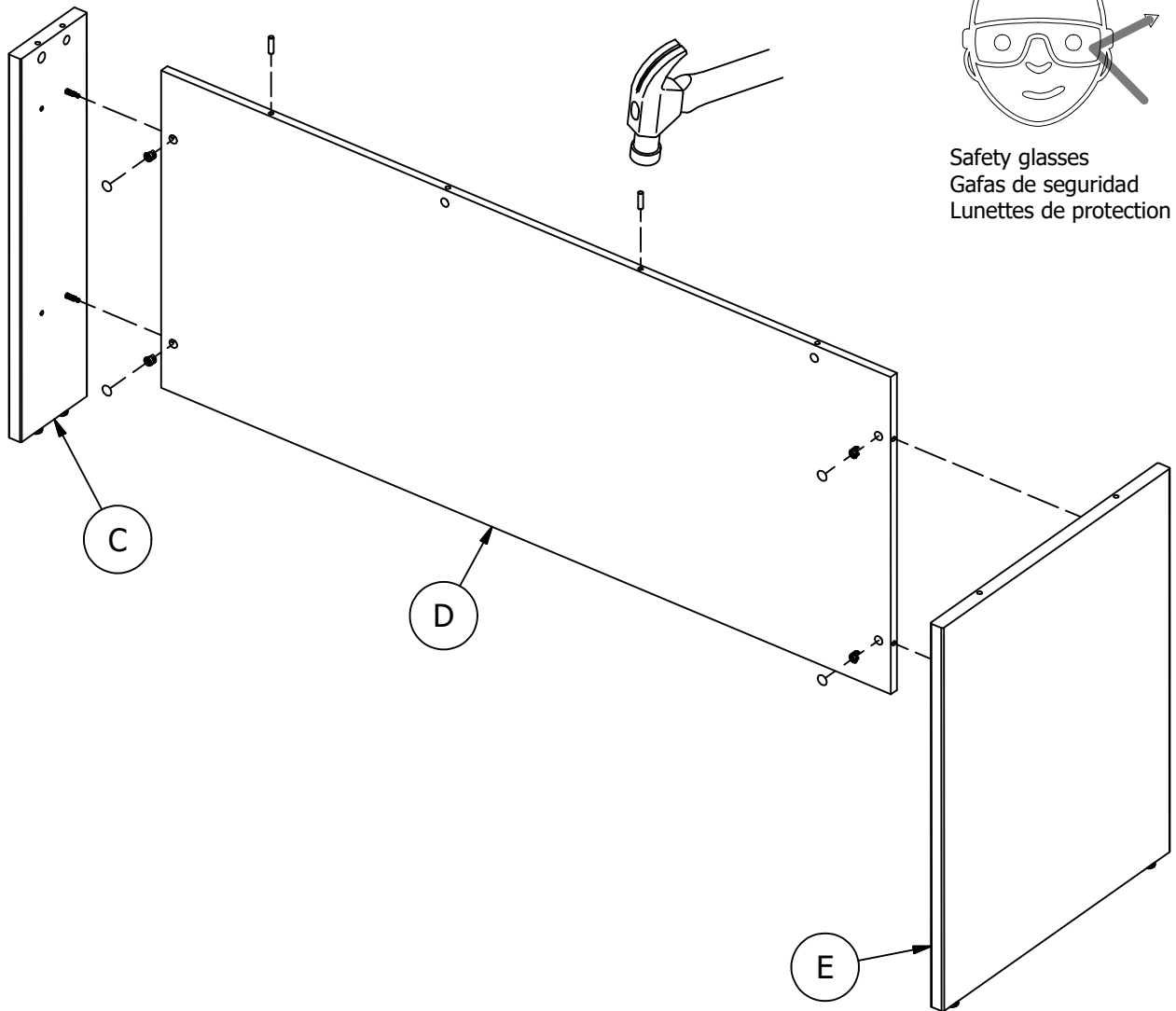
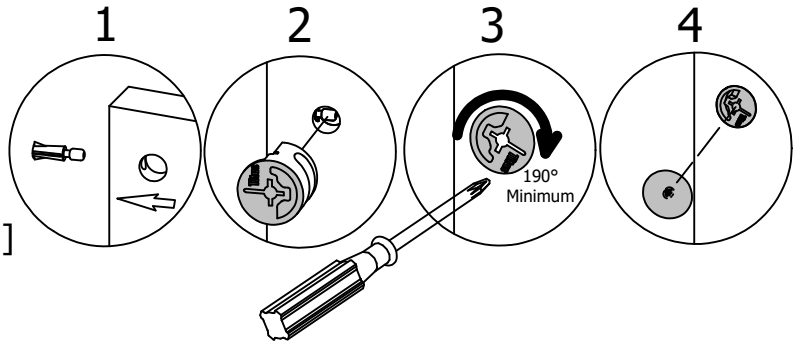
Wood Dowel 8 x 30

[2]



Cover Cap

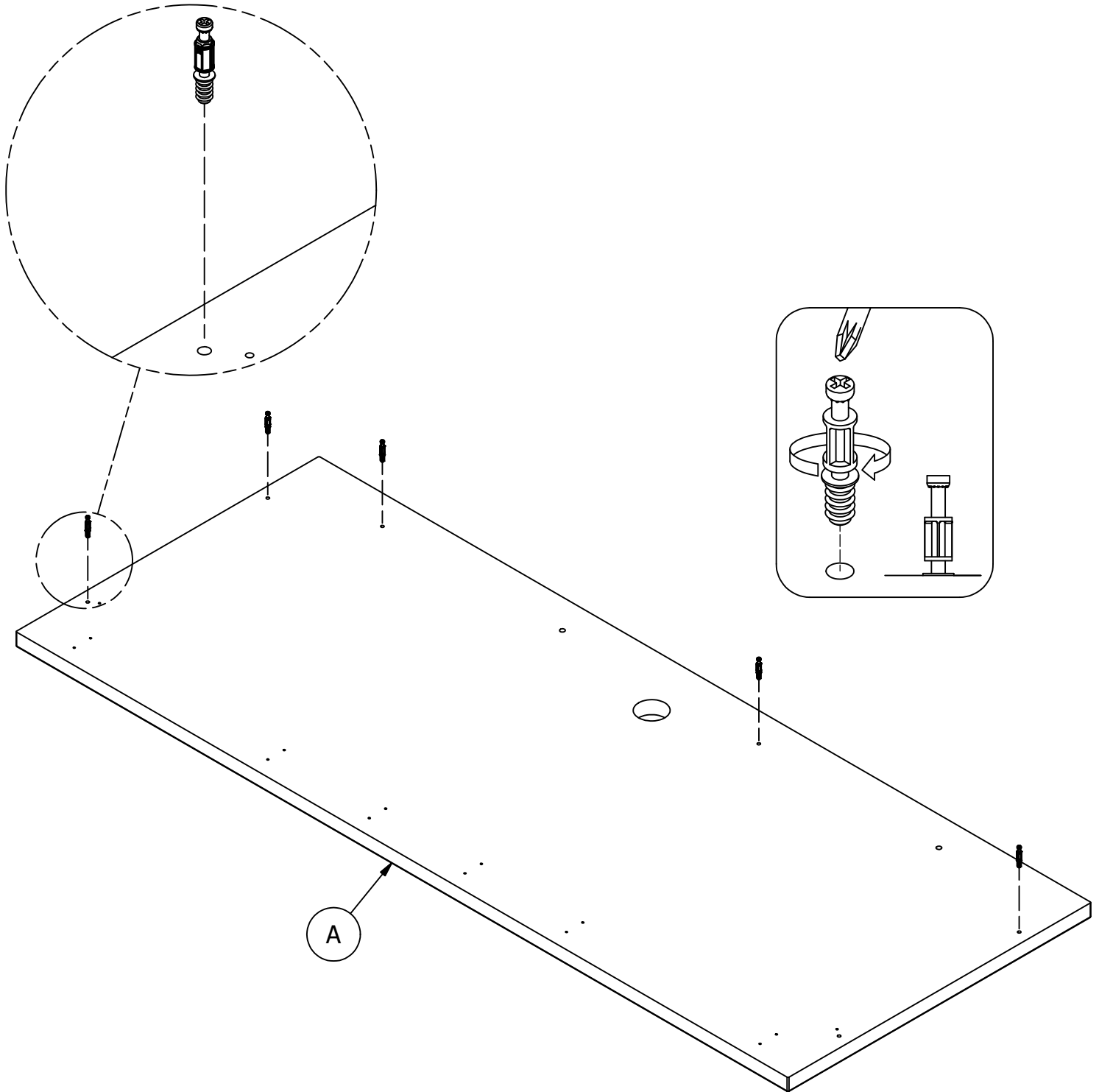
[4]



Safety glasses
Gafas de seguridad
Lunettes de protection

Have an assembly question or need a replacement part? Just call **1-800-950-4782**, we are here to help.

H72988 [5]
KD Bolt



Have an assembly question or need a replacement part? Just call
1-800-950-4782, we are here to help.

STEP 11

Assemble Panel

A177026K

Scan QR Code to
Watch Video on:

H181468US

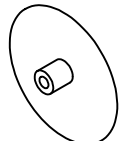


How to Tighten
KD Cams



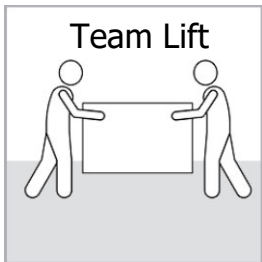
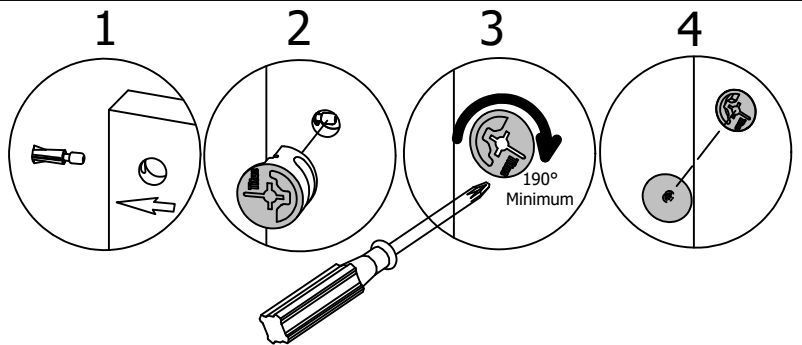
KD Cam3000

[5]

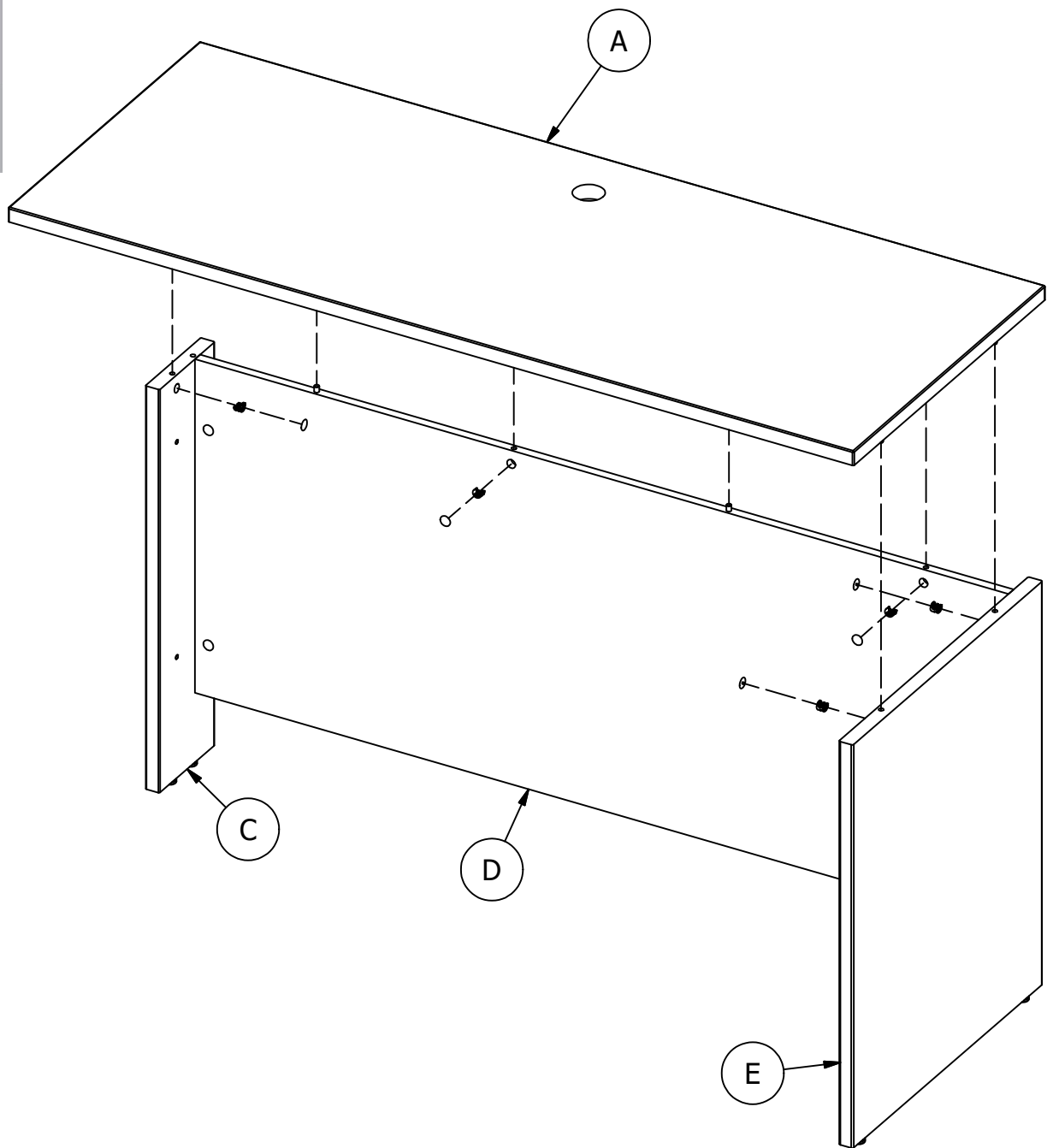


Cover Cap

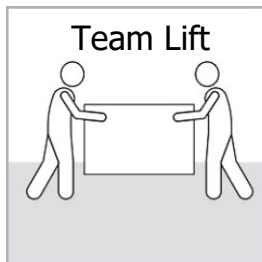
[5]



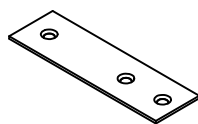
Team Lift



Have an assembly question or need a replacement part? Just call
1-800-950-4782, we are here to help.



H92809



Strap

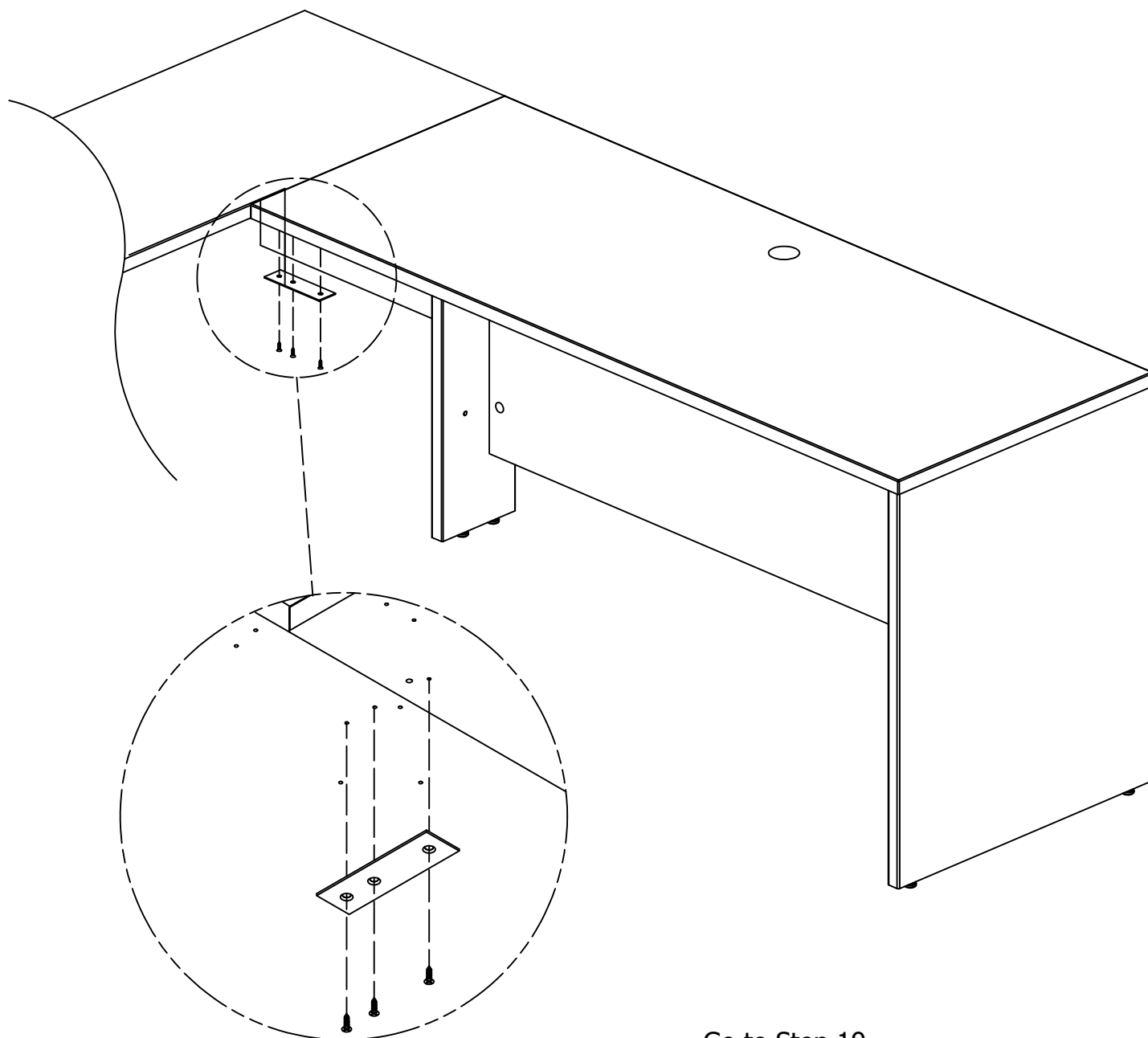
[1]

H92810



#10 x 3/4"

[3]



Go to Step 19.
Proceda al paso 19.
Allez à l'étape 19.

Have an assembly question or need a replacement part? Just call
1-800-950-4782, we are here to help.

STEP 13

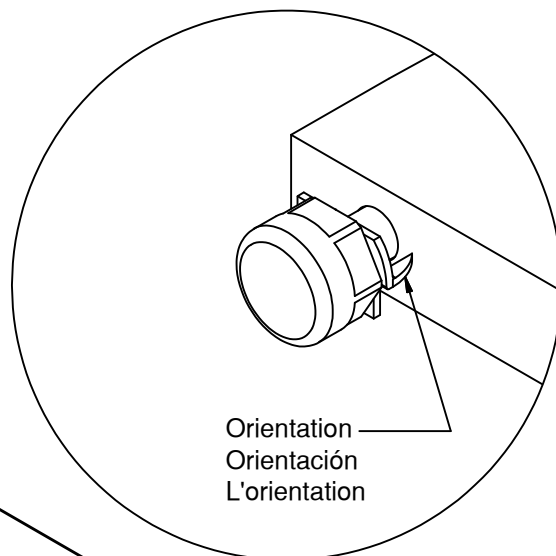
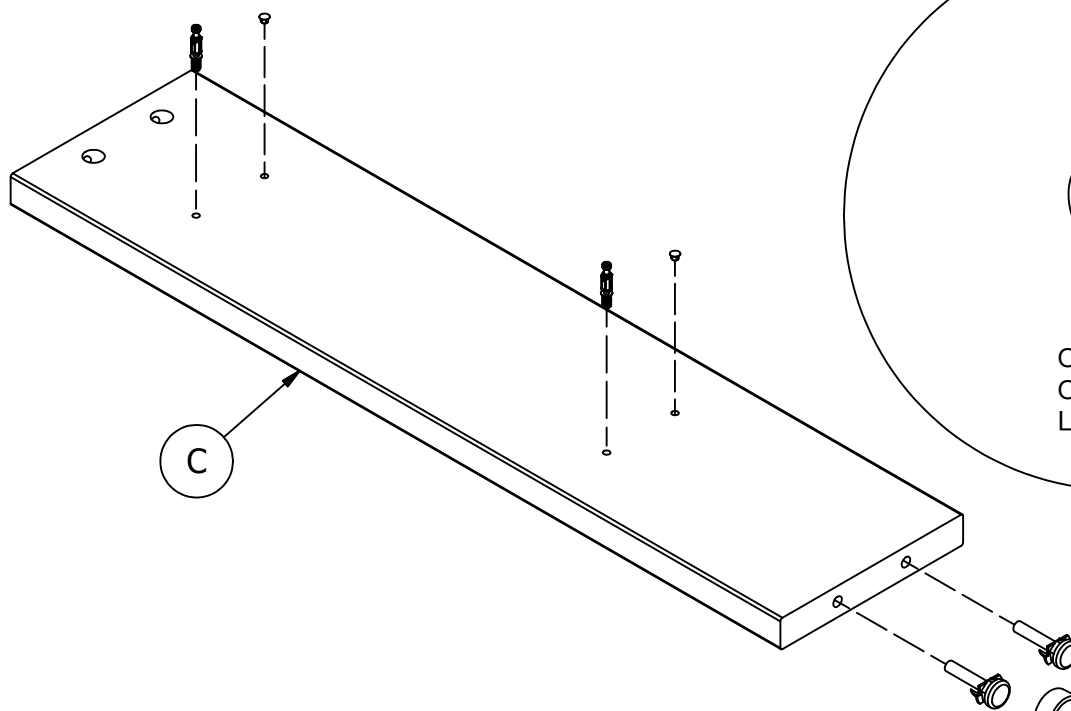
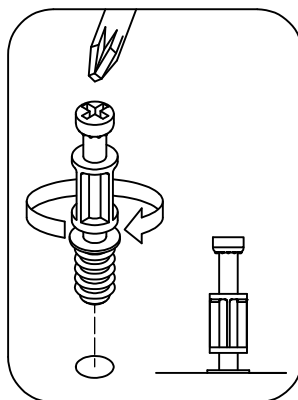
Prepare Panel

A177026K

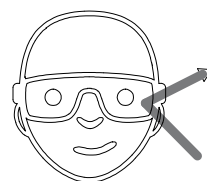
H72988 [2]
KD Bolt

[2]
5mm Hole Plug

H209601 [2]
Leveler



Orientation
Orientación
L'orientation



Safety glasses
Gafas de seguridad
Lunettes de protection

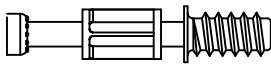
Have an assembly question or need a replacement part? Just call
1-800-950-4782, we are here to help.

STEP 14

Prepare Panel

A177026K

H72988



[2]

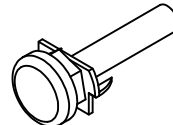
KD Bolt



[2]

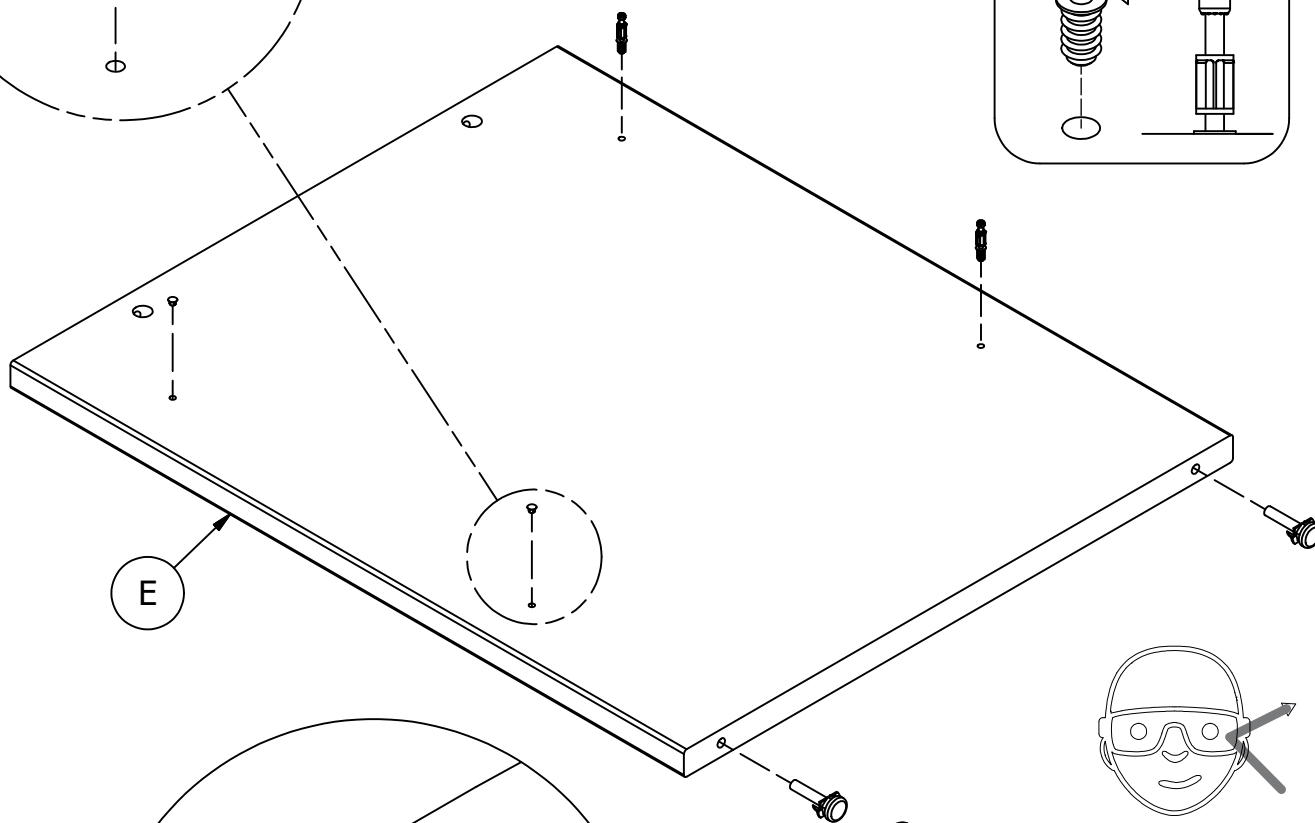
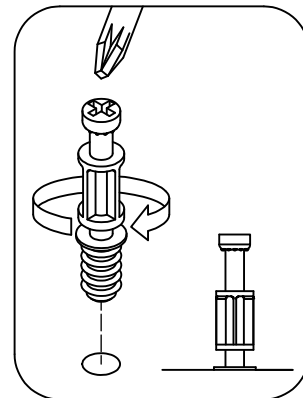
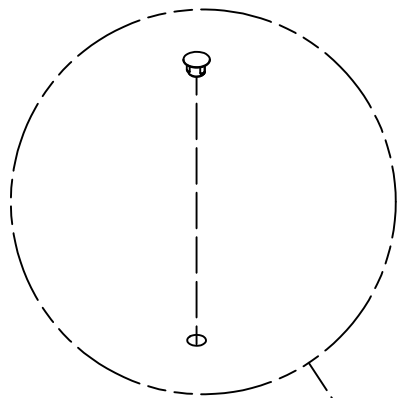
5mm Hole Plug

H209601

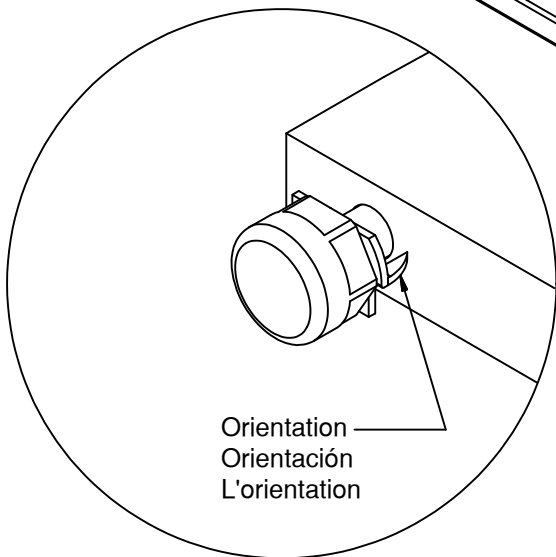


[2]

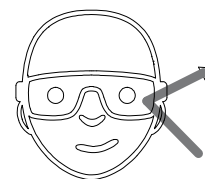
Leveler



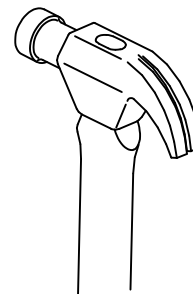
E



Orientation
Orientación
L'orientation



Safety glasses
Gafas de seguridad
Lunettes de protection



Have an assembly question or need a replacement part? Just call **1-800-950-4782**, we are here to help.

STEP 15

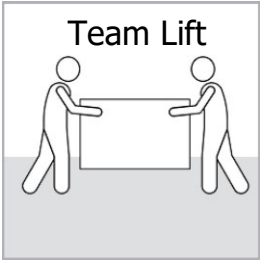
Assemble Panels

A177026K

Scan QR Code to Watch Video on:



How to Tighten KD Cams



H181468US



KD Cam3000

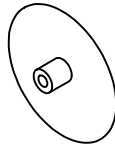
[4]

H38169



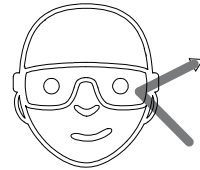
Wood Dowel 8 x 30

[2]

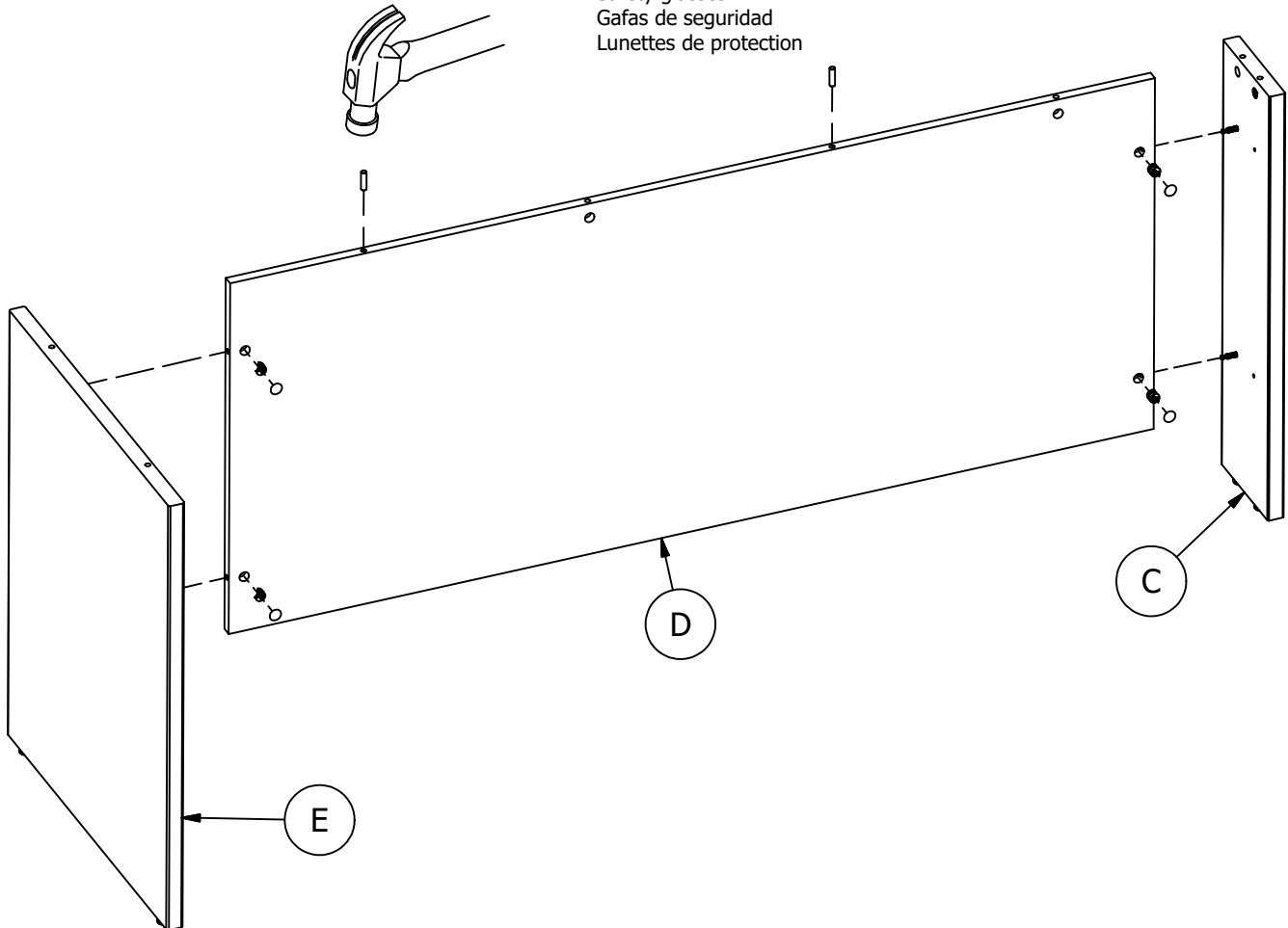
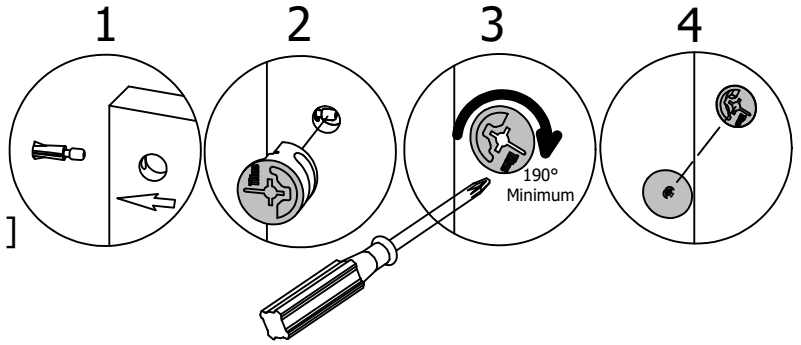


Cover Cap

[4]

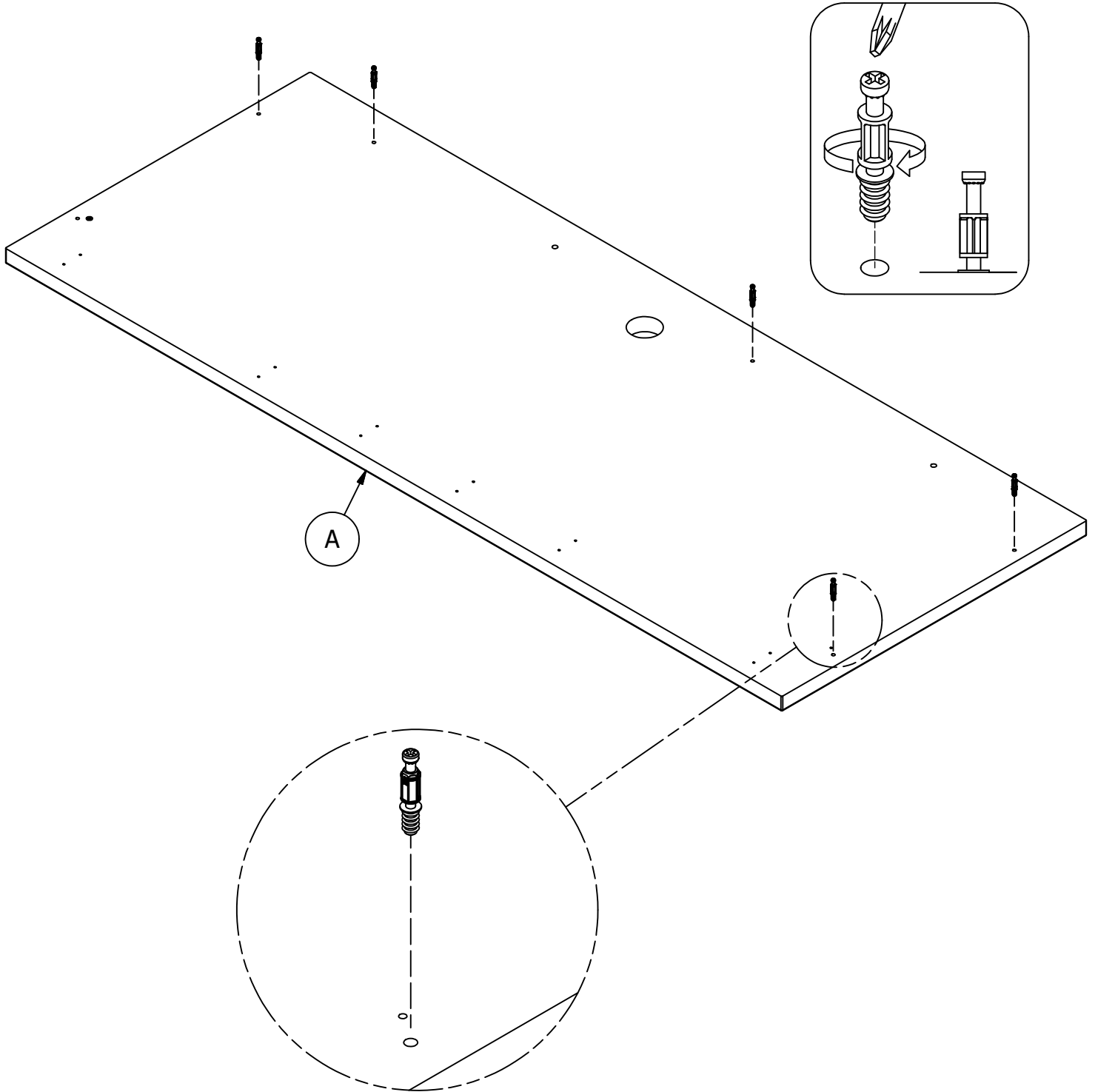


Safety glasses
Gafas de seguridad
Lunettes de protection



Have an assembly question or need a replacement part? Just call **1-800-950-4782**, we are here to help.

H72988 [5]
KD Bolt



Have an assembly question or need a replacement part? Just call
1-800-950-4782, we are here to help.

STEP 17

Assemble Panel

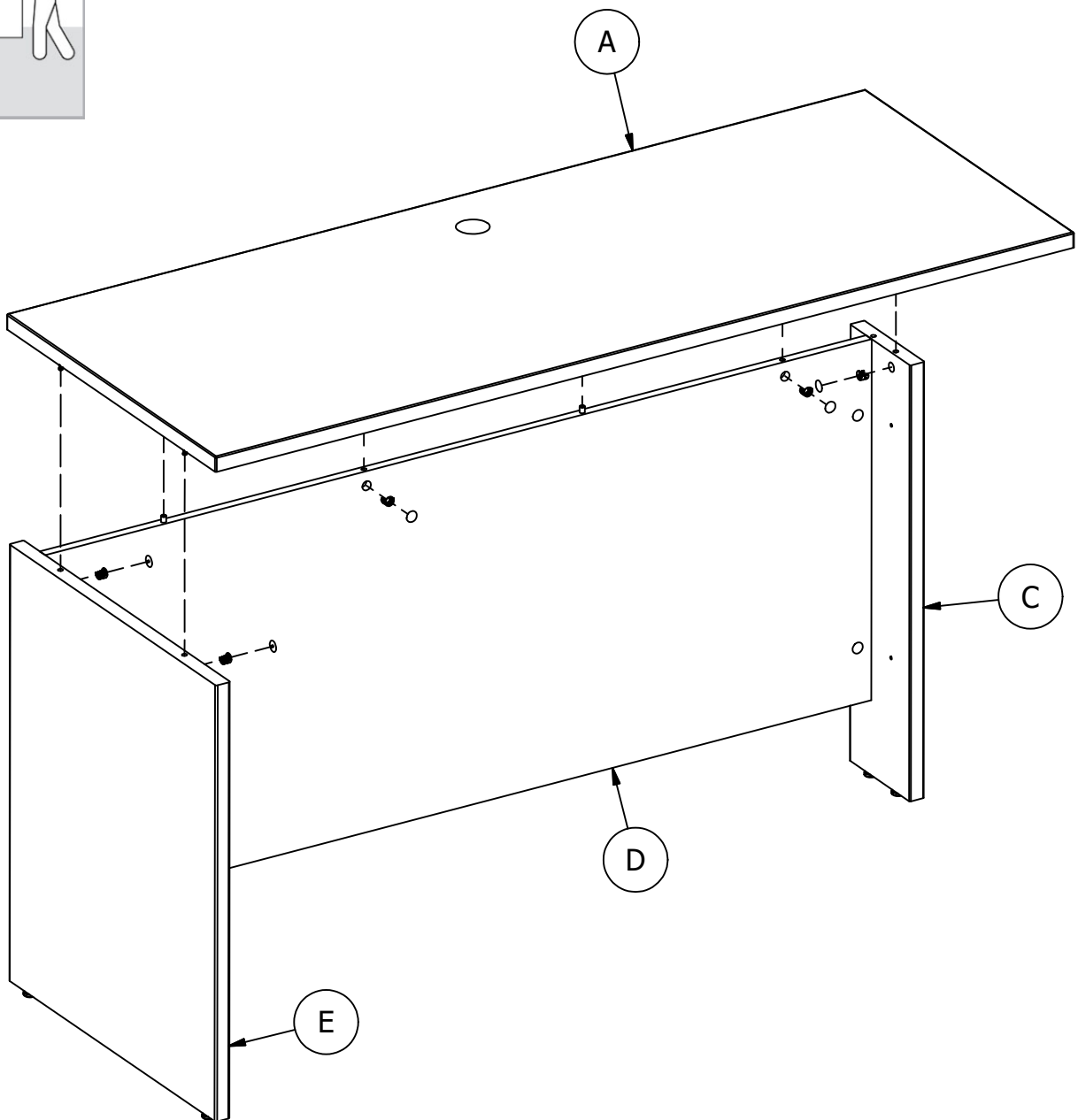
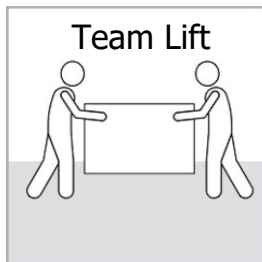
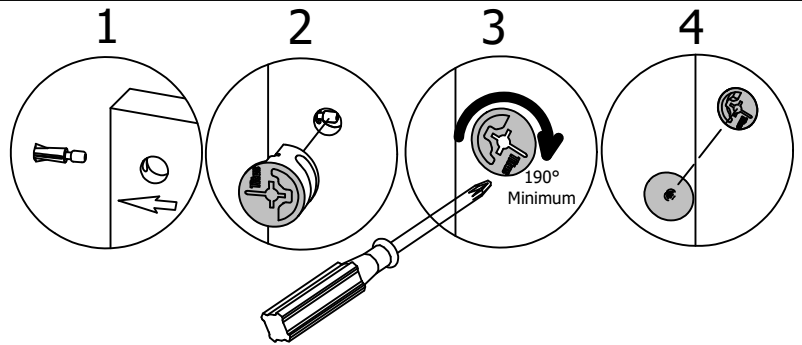
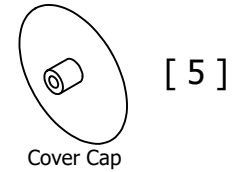
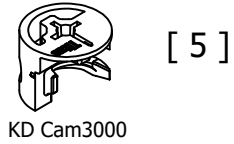
A177026K

Scan QR Code to Watch Video on:

H181468US

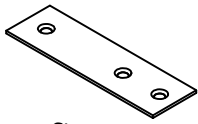


How to Tighten KD Cams



Have an assembly question or need a replacement part? Just call **1-800-950-4782**, we are here to help.

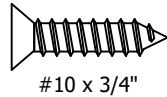
H92809



Strap

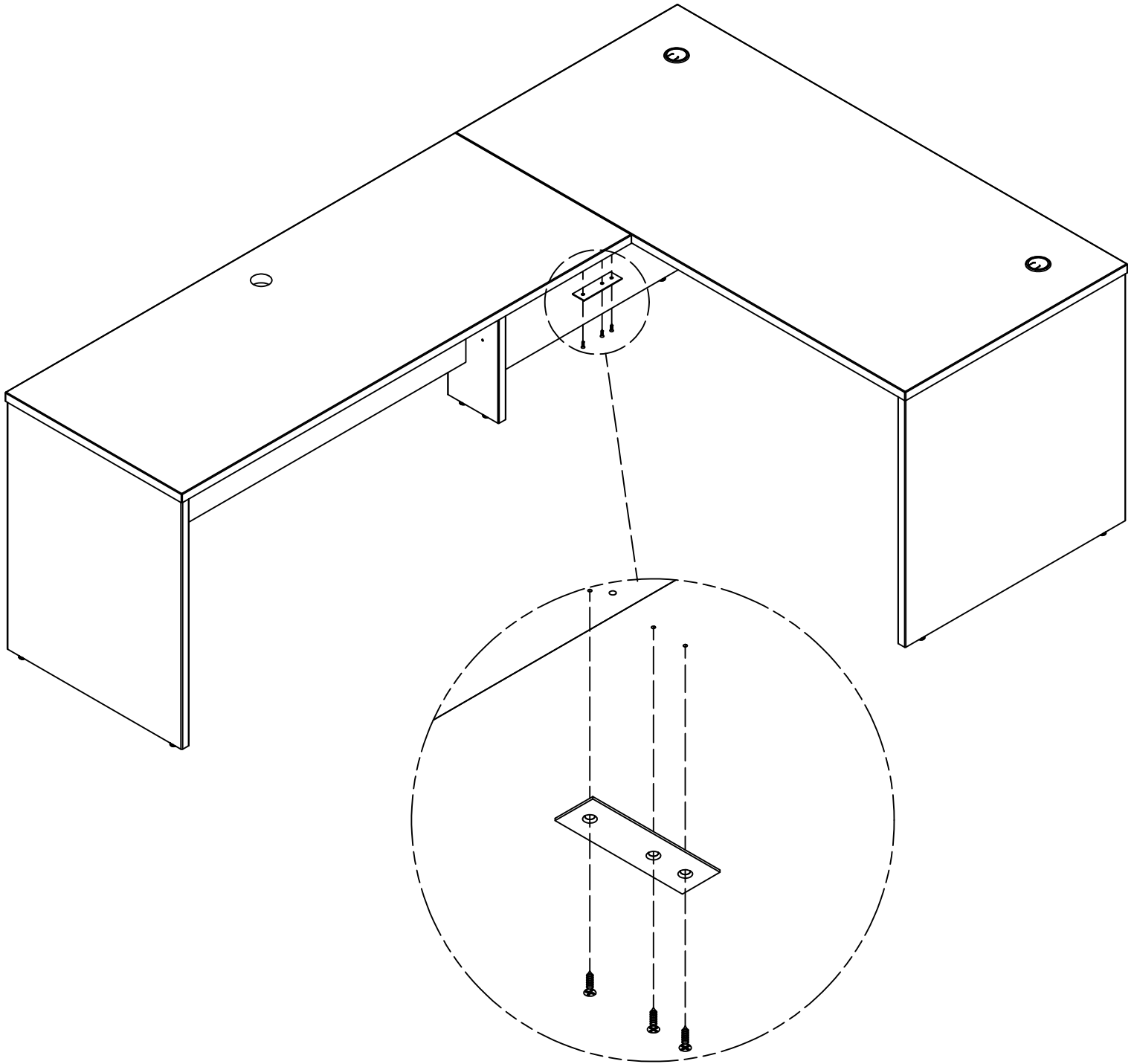
[1]

H92810



#10 x 3/4"

[3]



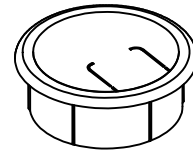
Have an assembly question or need a replacement part? Just call **1-800-950-4782**, we are here to help.

Scan QR Code to Watch Video on:



How to Clean the Surface

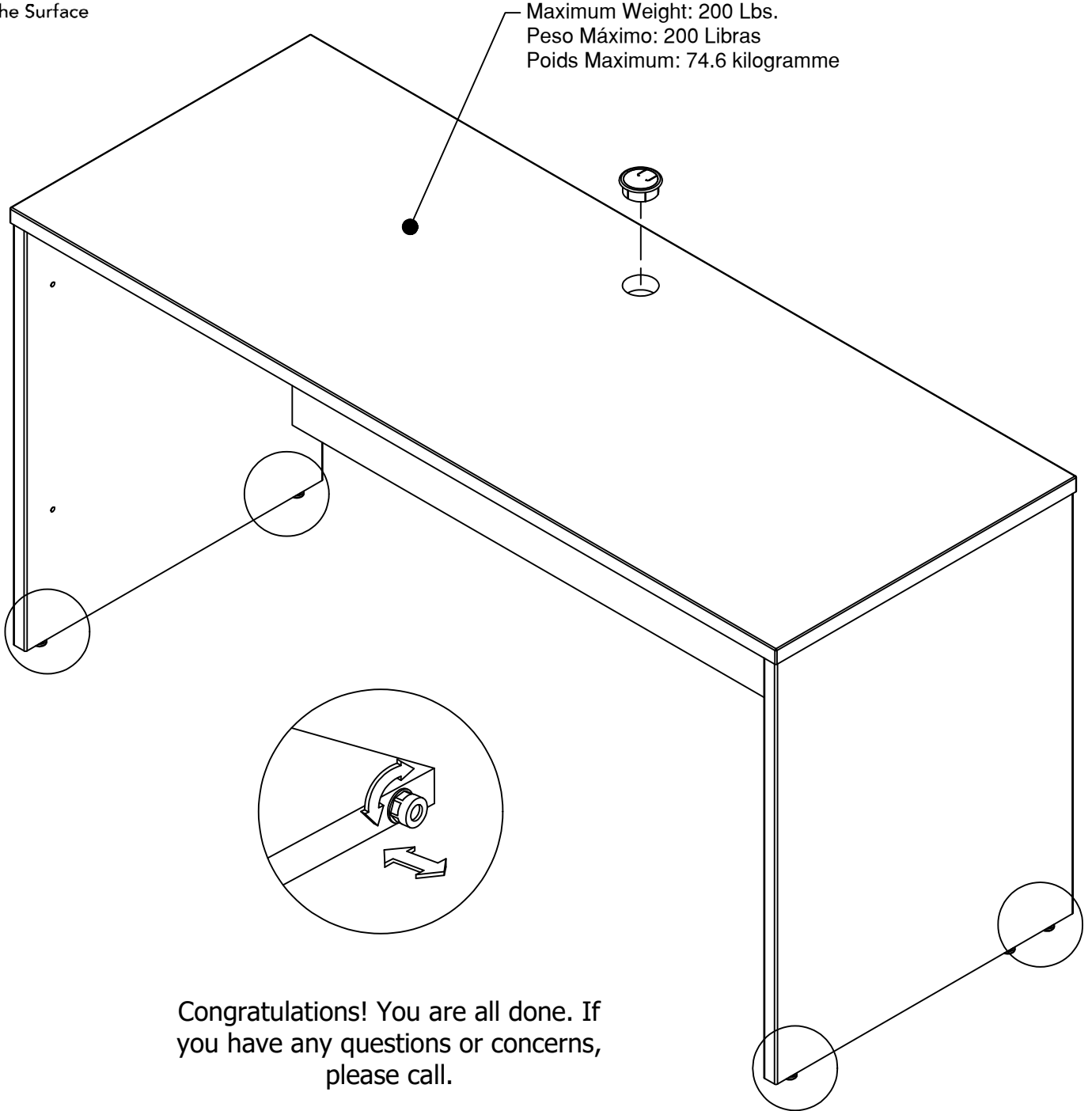
Gently clean surfaces with a damp sponge eraser.



[1]

Grommet

Maximum Weight: 200 Lbs.
Peso Máximo: 200 Libras
Poids Maximum: 74.6 kilogramme



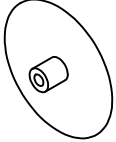
Congratulations! You are all done. If you have any questions or concerns, please call.

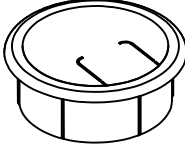
Have an assembly question or need a replacement part? Just call **1-800-950-4782**, we are here to help.

WC12961

- A [1] W206244
- C [1] W186421
- D [1] W177028
- E [2] W206269

H63904  [4]
5mm Hole Plug

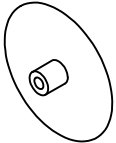
H73621  [10]
Cover Cap

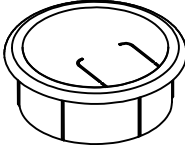
H118700  [1]
Grommet

WC24461

- A [1] W206239
- C [1] W186424
- D [1] W177030
- E [2] W206264


H92523  [4]
5mm Hole Plug

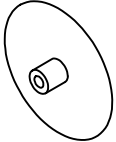
H92521  [10]
Cover Cap

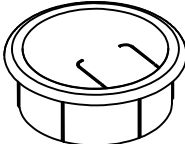
H118700  [1]
Grommet

WC36761

- A [1] W206245
- C [1] W186423
- D [1] W177032
- E [2] W206270

H107309  [4]
5mm Hole Plug

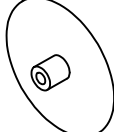
H107306  [10]
Cover Cap

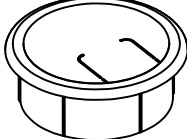
H118700  [1]
Grommet

WC72461

- A [1] W206247
- C [1] W186424
- D [1] W177030
- E [2] W206264

H92523  [4]
5mm Hole Plug

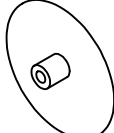
H92521  [10]
Cover Cap

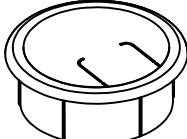
H118700  [1]
Grommet

SCD360WH

- A [1] W206243
- C [1] W191879
- D [1] W191870
- E [2] W206268

H184428  [4]
5mm Hole Plug

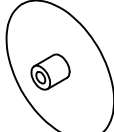
H73619  [10]
Cover Cap

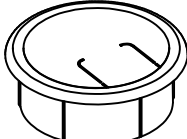
H184440  [1]
Grommet

SCD360PG

- A [1] W206240
- C [1] W191647
- D [1] W191636
- E [2] W206265

H112099  [4]
5mm Hole Plug

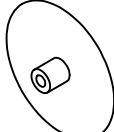
H83021  [10]
Cover Cap

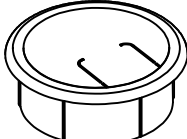
H151407  [1]
Grommet

SCD360SG

- A [1] W206241
- C [1] W189353
- D [1] W189319
- E [2] W206266

H92523  [4]
5mm Hole Plug

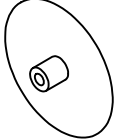
H92521  [10]
Cover Cap

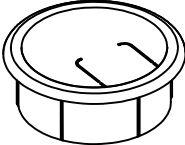
H184440  [1]
Grommet

SCD360BW

A [1] W205510
 C [1] W191814
 D [1] W205511
 E [2] W205500

H63904  [4]
 5mm Hole Plug

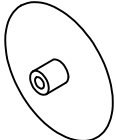
H191633  [10]
 Cover Cap

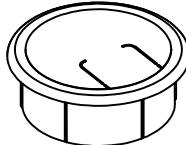
H118700  [1]
 Grommet

SCD360MH

A [1] W205512
 C [1] W193110
 D [1] W205513
 E [2] W205504


H112099  [4]
 5mm Hole Plug

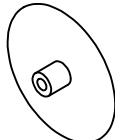
H83021  [10]
 Cover Cap

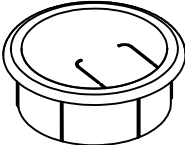
H151406  [1]
 Grommet

SCD360NE

A [1] W215996
 C [1] W215995
 D [1] W215992
 E [2] W215997

H216047  [4]
 5mm Hole Plug

H216046  [10]
 Cover Cap

H216048  [1]
 Grommet