

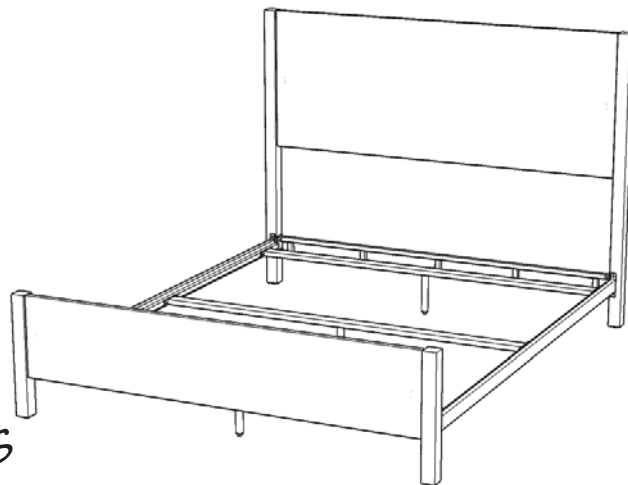
# 88 5053 503 Queen Bed Rails

## IMPORTANT NOTE

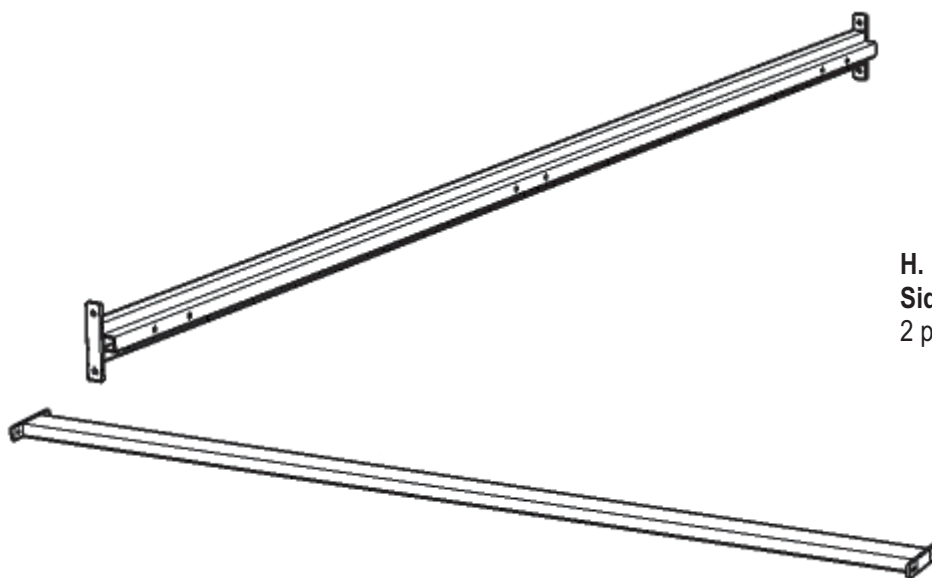
Carefully remove all the parts from the carton and put them individually on a soft cloth to prevent scratches or other damage occurring to the parts.

We have taken great care in the design of this product and request that you carefully and strictly follow our assembly instructions to ensure a completed product as it was designed.

*Home  
Styles*



## Part List



**H.**  
**Side Rail**  
2 pcs.

**I.**  
**Stretcher**  
3 pcs.

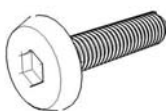
**J.**  
**Support**  
3 pcs.

## Hardware List



**Small Hex Wrench**  
1 pc.

**Hex Wrench**  
1 pc.



**M8x15  
Head Cap Bolt  
(large)**  
8 pcs. (+1 extra)



**M6x15  
Head Cap Bolt**  
12 pcs. (+1 extra)



**Spring Washer  
(large)**  
8 pcs. (+1 extra)



**Spring Washer**  
12 pcs. (+1 extra)



**Flat Washer  
(large)**  
8 pcs. (+1 extra)



**Flat Washer**  
12 pcs. (+1 extra)

Also need the Parts in cartons 88 5053 501 and 88 5053 502

**Home Styles Consumer Assistance:** [www.homestyles-furniture.com](http://www.homestyles-furniture.com),  
[servicedesk@homestyles-furniture.com](mailto:servicedesk@homestyles-furniture.com), 888-680-7460, 877-831-0319

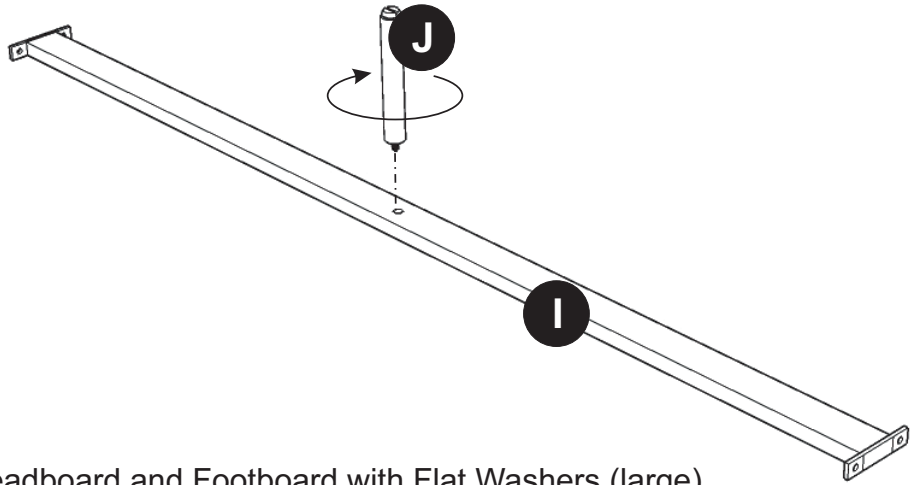
# Assembly Instructions 2/2

## IMPORTANT

- \* Do not tighten all the Head Cap Bolts until each part is properly assembled.
- \* You should keep Hex Wrench in a safe place as you may need to tighten up the Head Cap Bolts in the future.
- \* Use a soft cloth between these parts and the floor.

## STEP 1

Attach Support (J) to Stretcher (I) and tighten.



## STEP 2

Assemble Side Rails (H) to Headboard and Footboard with Flat Washers (large), Spring Washers (large) and Head Cap Bolts (large), tightening the bolts only half way. (See Figure 1)

Attach Stretchers (I) to unit with Flat Washers, Spring Washers and Head Cap Bolts, tightening the bolts only half way. (See Figure 2)

Tighten all Head Cap Bolts.

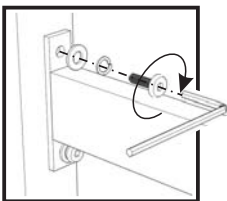


Figure 1

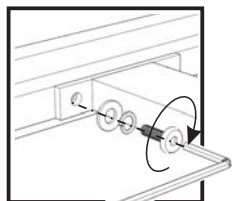


Figure 2

