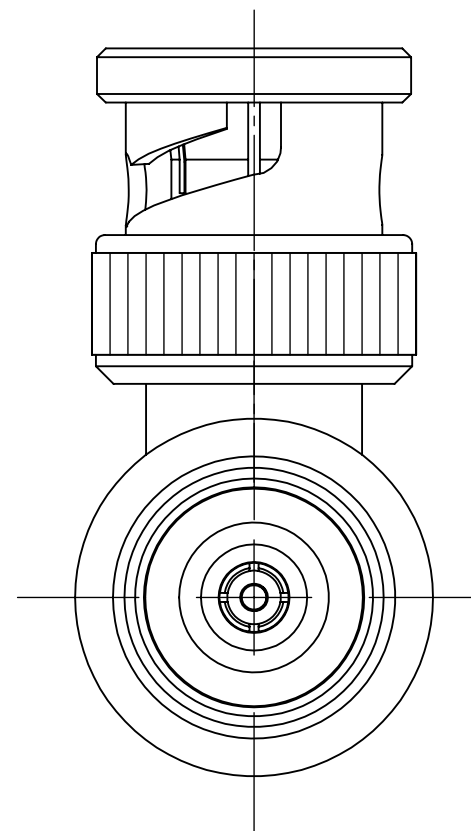
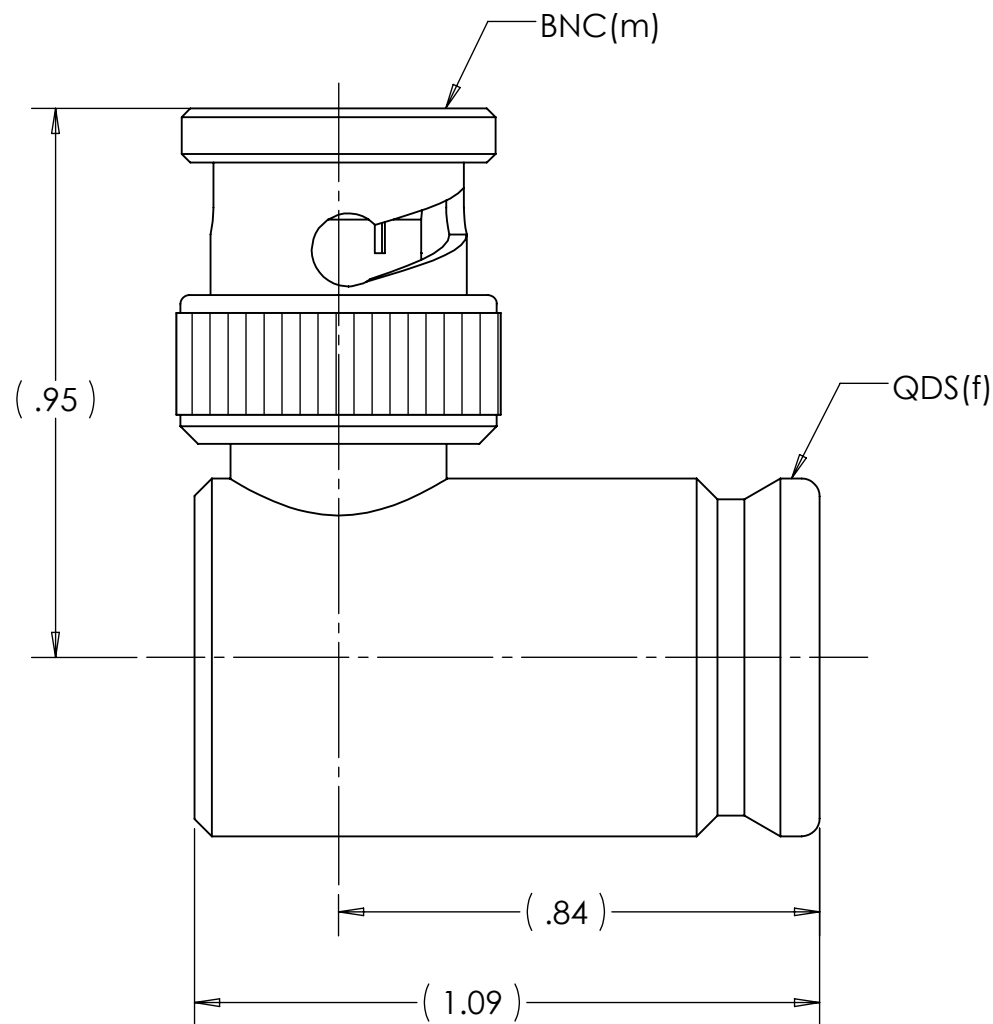
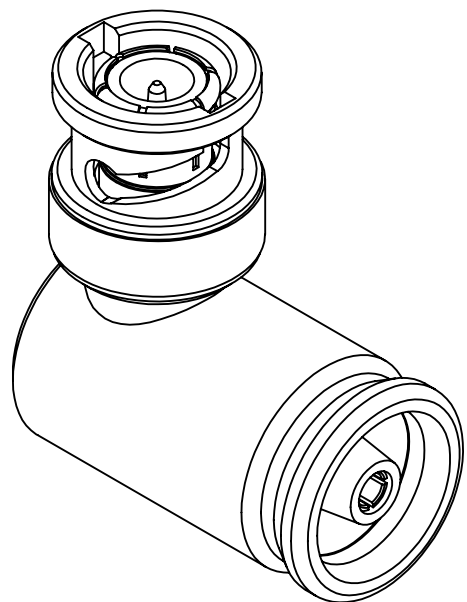


This document, including the design, configuration and mechanical features revealed herein are the sole, confidential and proprietary property of TRU Corporation. Reproduction or use thereof, in whole or part, is prohibited without the prior written consent of TRU Corporation.

| REV. | DESCRIPTION    | DATE     | APPROVED |
|------|----------------|----------|----------|
| -    | ORIGINAL ISSUE | 11/14/14 | AM       |



**ENGINEERING DATA**


ELECTRICAL:  
IMPEDANCE: 50 OHMS NOMINAL

MECHANICAL:  
INTERFACE: BNC(m) per MIL-STD-348 FIG. 301-1  
QDS(f) per TRU spec

MATERIAL:  
CONTACTS: BRASS & BERYLLIUM COPPER  
INSULATORS: PTFE  
HOUSING: BRASS  
GASKET: SILICONE RUBBER

FINISH:  
CONTACTS: SILVER PLATED  
HOUSING: SILVER PLATED

NOTES:  
1. UNLESS OTHERWISE SPECIFIED; ALL DIMENSIONS ARE FOR REFERENCE ONLY.

|                       |   |                        |                  |  |
|-----------------------|---|------------------------|------------------|--|
| MATERIAL              | DO NOT SCALE DRAWING  | DRAWN<br>AM            | DATE<br>11/13/14 |  <b>TRU Corporation</b><br>245 Lynnfield St,<br>Peabody, MA 01960 |
|                       | UNLESS OTHERWISE SPECIFIED:<br>DIMENSIONS ARE IN INCHES   | ENG APPR.<br>AM        | DATE<br>11/13/14 |  |
| COMMENTS:             | TOLERANCES:<br>FRACTIONS: ±1/64<br>.XX : ±.01<br>.XXX: ±.005<br>ANGLES: ±1/2°<br>MACHINED SURFACES:<br>63/√ | MFG APPR.              | DATE             | TITLE:<br>CONNECTOR, COAXIAL RF<br>BNC(m) to QDS(f) R/A ADAPTER  |
|                       |   | OTHER APPR.            | DATE             |  |
| surface area: sq inch | weight: lbs   | THIRD ANGLE PROJECTION |                  | SIZE <b>B</b> DWG. NO. TRU-12824 REV -   |
|                       |   |                        |                  | CAGE CODE: 92180 SCALE: 3:1 SHEET 1 OF 1   |