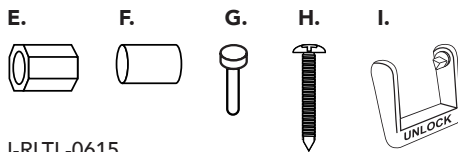
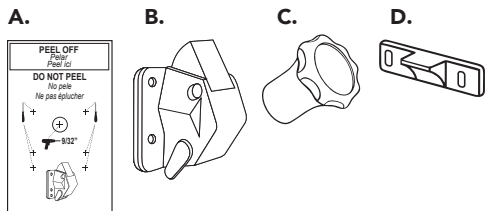


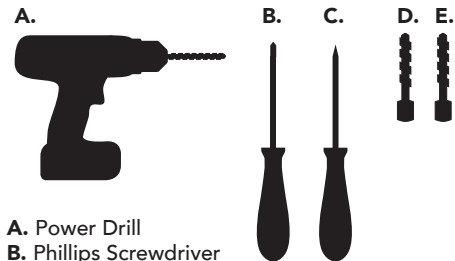
COMPONENTS

- A. Template (double sided)
- B. Lock Assembly
- C. Lock Key
- D. Striking Plate
- E. Drill Bit Depth Gauge
- F. Extension Slug
- G. Plunger
- H. Screws: #4 x 1/2" Pan Head Phillips
- I. Unlocking Bar



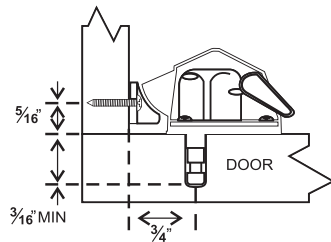
I-RLTL-0615

TOOLS REQUIRED



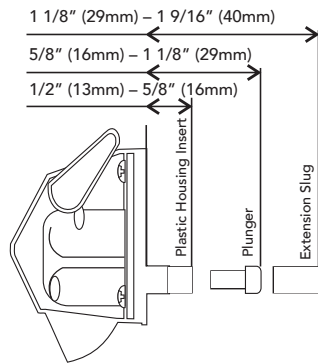
- A. Power Drill
- B. Phillips Screwdriver
- C. Punch or Nail
- D. 1-Drill Bit 9/32" (7mm)
- E. 1-Drill Bit 1/16" (1.5mm Optional for pilot holes)

INSTALLATION OVERVIEW



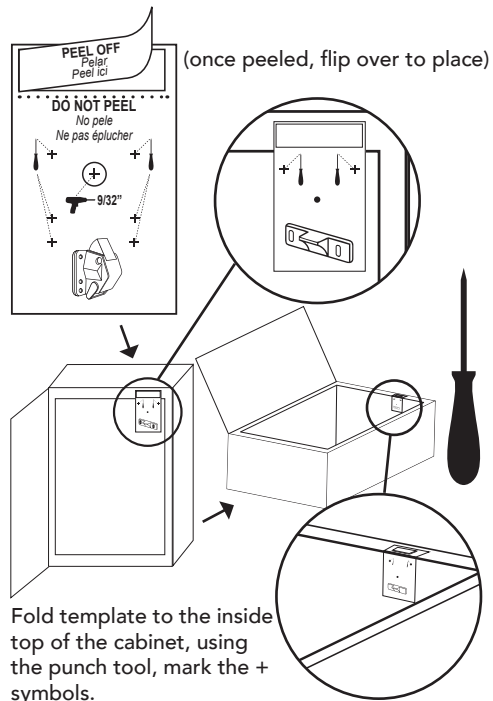
DOOR THICKNESS

Use components within arrows.

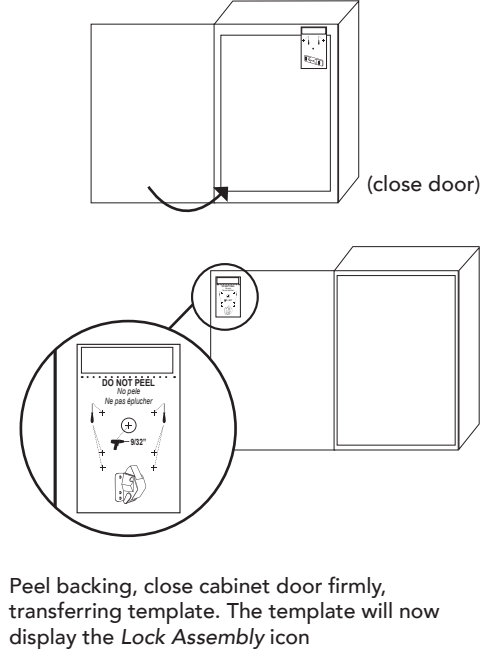


STEP 1

Peel narrow backing paper strip from *Template's* Lock Assembly side, flip over. Apply that side to cabinet frame, the *Template's* Striking Plate side is facing out.

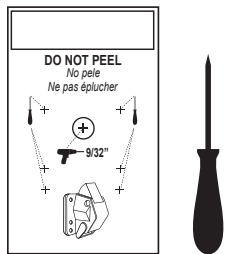


STEP 2

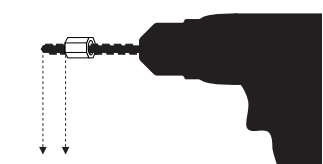


STEP 3

Open door and mark + with punch.



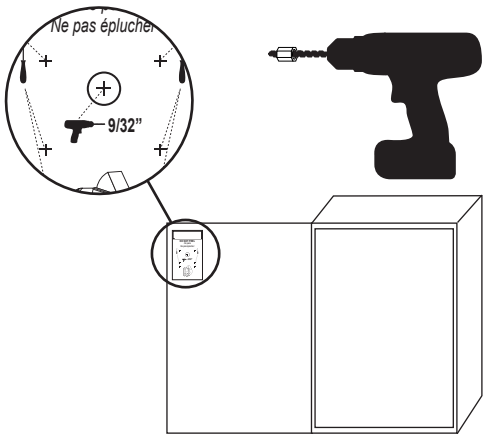
STEP 4



DRILLING DEPTH = DOOR THICKNESS - 3/16"

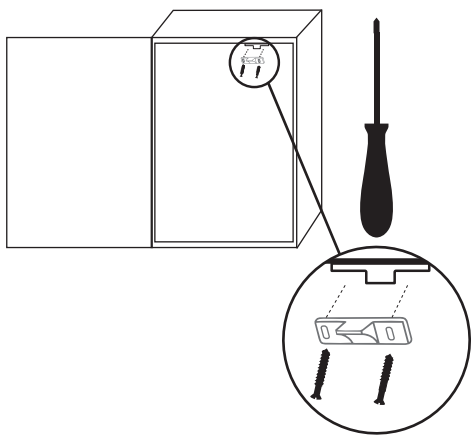
Measure door thickness and subtract 3/16" (4.76mm) to obtain drilling depth.

STEP 5



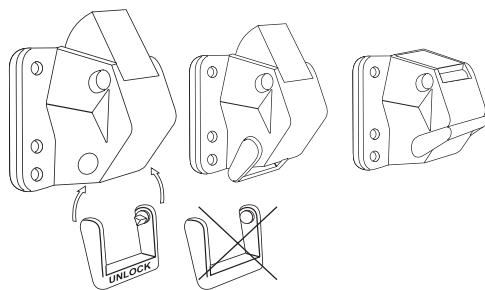
Drill into the marked 9/32" hole location into installation template, **using caution not to drill through the door.** The hole must be clear and free of debris.

STEP 6



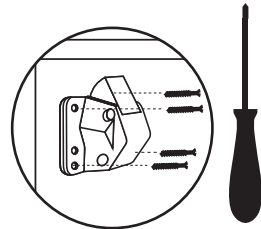
Match striking plate over two locations marked during Step 2. Use screws and install loosely so slot adjustments can be made later.

STEP 7

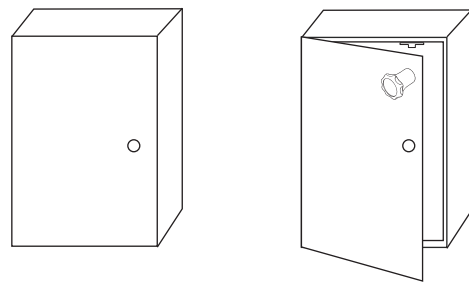


Install red unlocking bar in hole on one side with unlock letters up. Then straddle the housing and pop in the opposite side.

Match the Lock Assembly with plunger to the drilled hole. Align with marked holes, secure with 1/2 inch screws.



USING KEY



Use Lock Key to open cabinet door/drawer.



12400 Earl Jones Way
Louisville, KY 40299
rev-a-shelf.com | 1-800-626-1126
Made in the USA