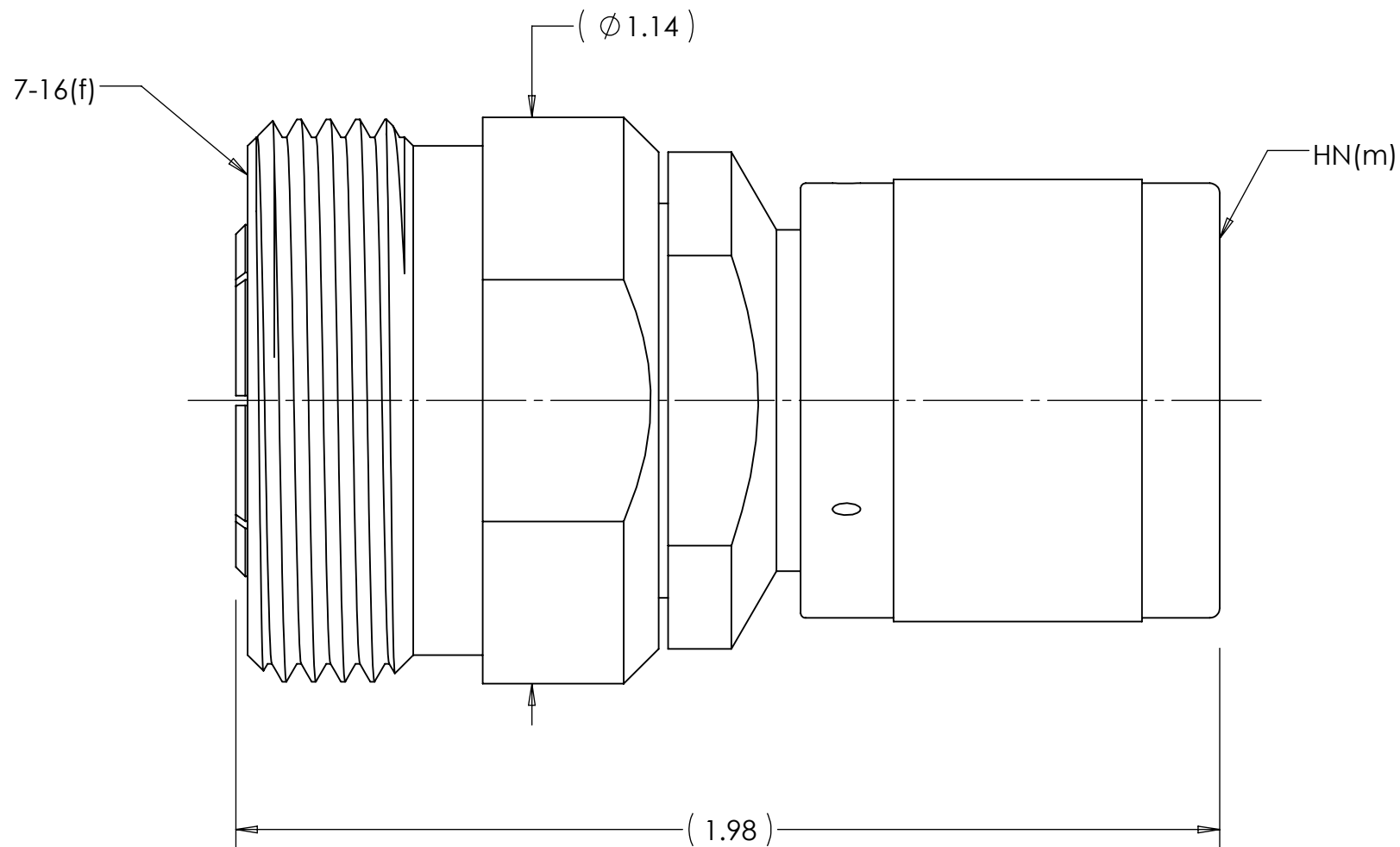
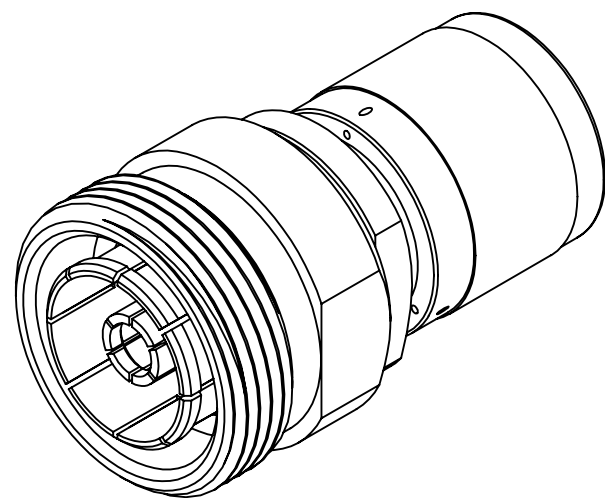


This document, including the design, configuration and mechanical features revealed herein are the sole, confidential and proprietary property of TRU Corporation. Reproduction or use thereof, in whole or part, is prohibited without the prior written consent of TRU Corporation.

REV.	DESCRIPTION	DATE	APPROVED
-	ORIGINAL ISSUE	01/26/12	AM



ENGINEERING DATA


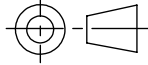
ELECTRICAL:
IMPEDANCE: 50 OHMS

MECHANICAL:
INTERFACE: 7-16(f) PER DIN 47223
HN(m) PER MIL-STD-348 FIG. 317.1

MATERIAL:
CONTACTS: BRASS & BERYLLIUM COPPER
INSULATORS: PTFE
BODIES: BRASS
COUPLING NUT: BRASS
GASKET: SILICONE RUBBER

FINISH:
CONTACTS: SILVER PLATED
BODIES & COUPLING NUT: SILVER PLATED

NOTES:
1. UNLESS OTHERWISE SPECIFIED; ALL DIMENSIONS ARE FOR REFERENCE ONLY.

MATERIAL	DO NOT SCALE DRAWING	DRAWN MVC	DATE 01/25/12	 TRU Corporation 245 Lynnfield St, Peabody, MA 01960 <i>EXPERIENCE. TRU INNOVATION.</i>
	UNLESS OTHERWISE SPECIFIED: DIMENSIONS ARE IN INCHES	ENG APPR. AM	DATE 01/25/12	
COMMENTS:	TOLERANCES: FRACTIONS: ±1/64 .XX : ±.01 .XXX: ±.005 ANGLES: ±1/2° MACHINED SURFACES: 63/√	MFG APPR.	DATE	TITLE: CONNECTOR, COAXIAL, RF 7-16(f) to HN(m) ADAPTER, STRAIGHT
		OTHER APPR.	DATE	
surface area: sq inch	weight: lbs	THIRD ANGLE PROJECTION		SIZE B DWG. NO. TRU-7784 REV -
				CAGE CODE: 92180 SCALE: 3:1 SHEET 1 OF 1