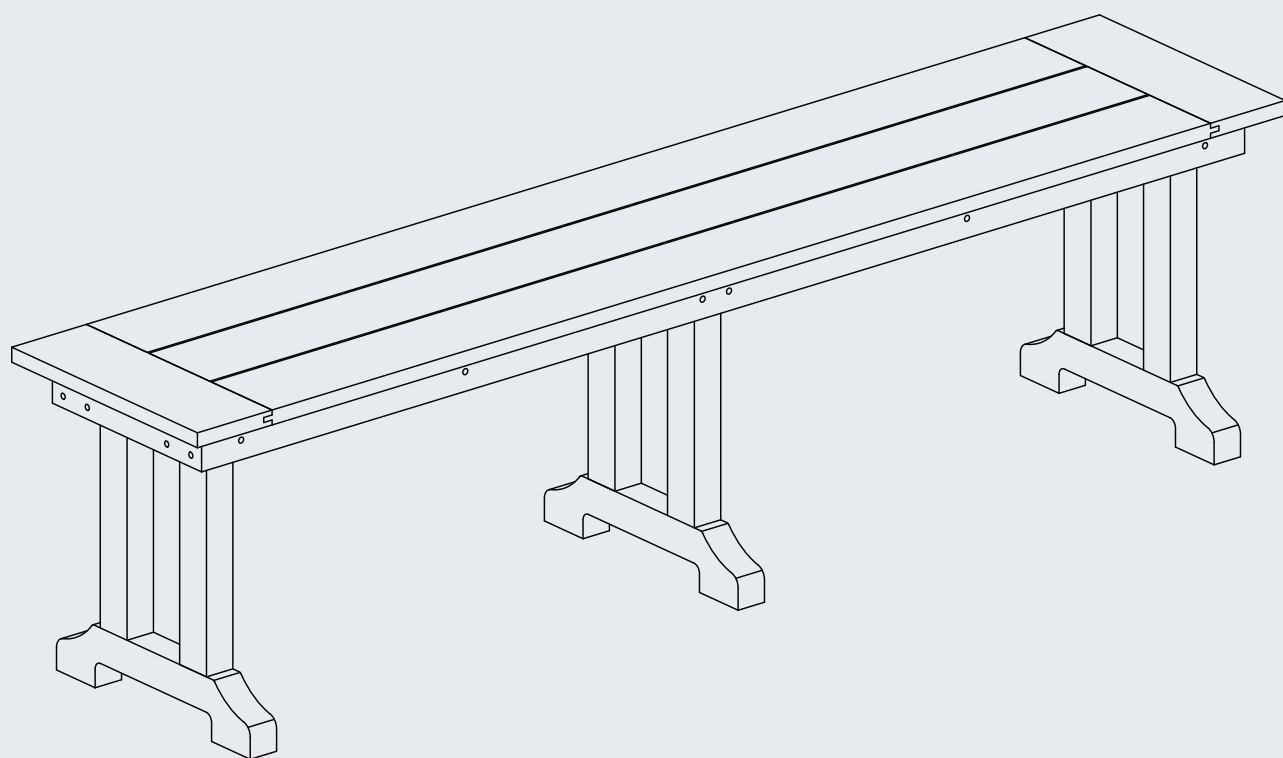


INSTRUCTION MANUAL



Trestle 65" Bench

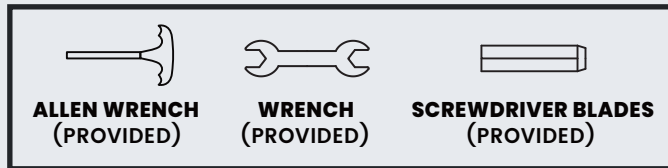
V2.0

! CARE & MAINTENANCE

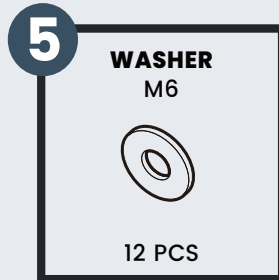
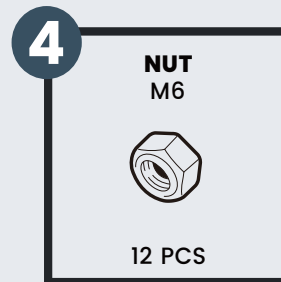
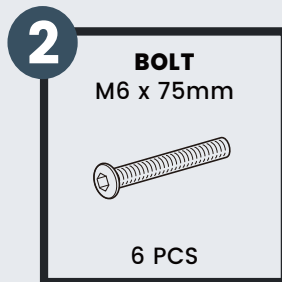
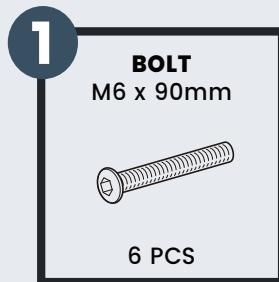
Do not overtighten screws. (Insert all screws before tightening screws.)

- Please do not exceed the weight limitations of this item.
- Do not stand on or use any part of this item as a step ladder
- Firmly secure all bolts, screws and nuts before use.
- Reconfirm that all bolts, screws, and nuts are secure every 90 days.
- Do not use or store this item in the proximity of open flame or flammable/combustible chemicals.
- Be aware that some parts are heavy and have sharp edges.
- Please adjust the speed slowly when you use electric drill for assembling to avoid screw slippage.

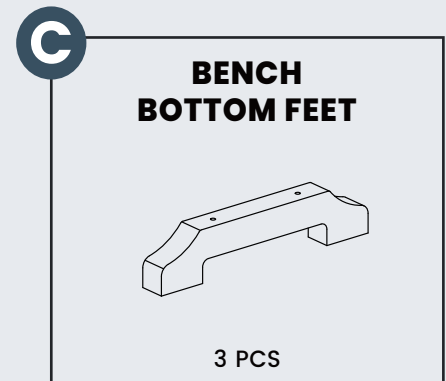
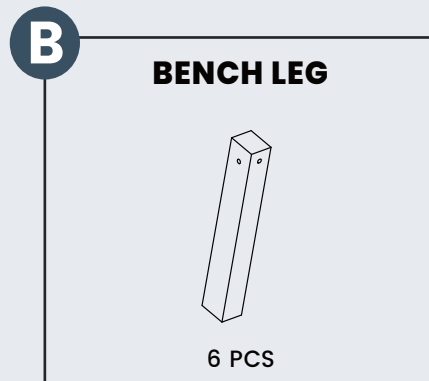
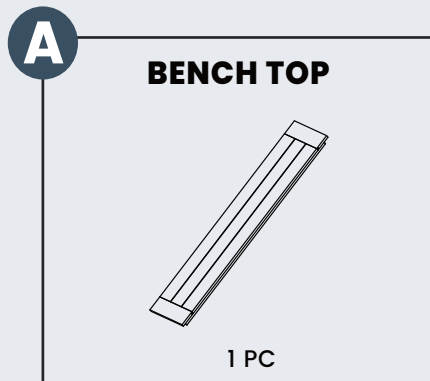
TOOLS REQUIRED



HARDWARE

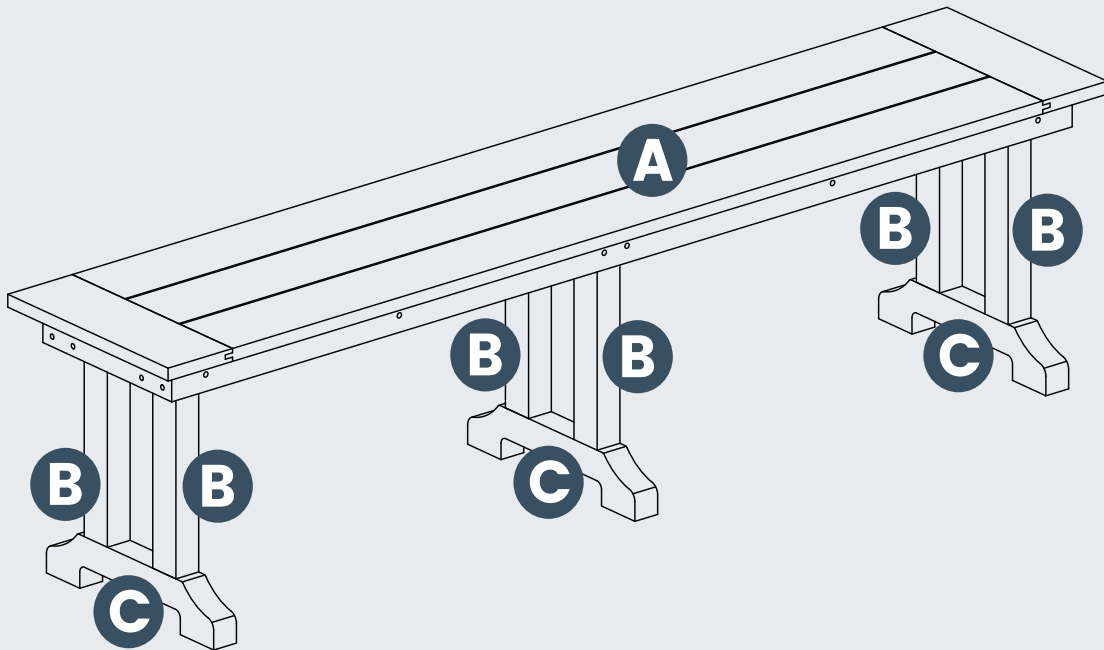


PARTS



PRODUCT ASSEMBLY - OVERALL VIEW

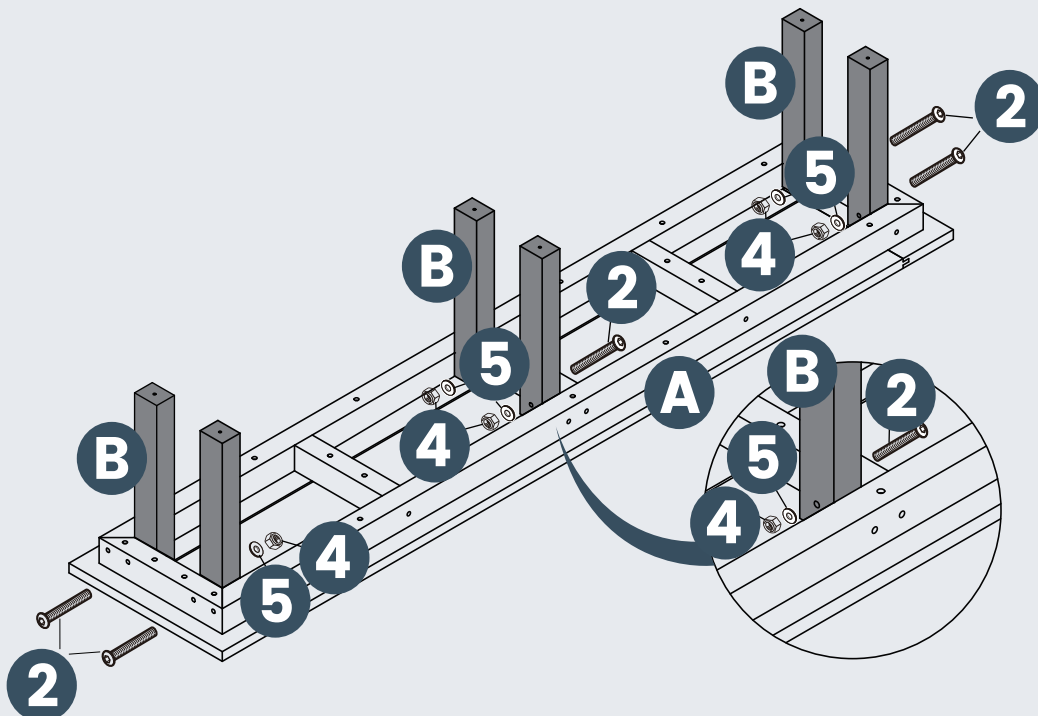
Look at following overall view of this bench and exact position of each parts to be assembled.



PRODUCT ASSEMBLY

1

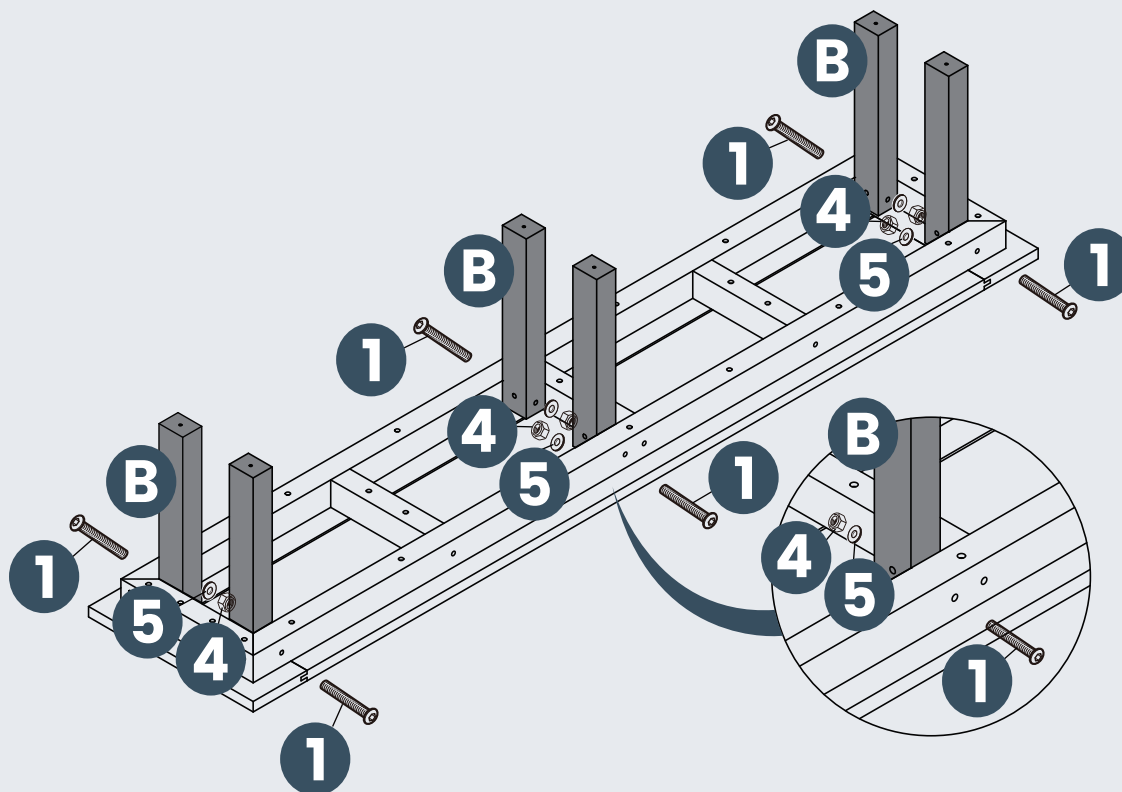
Attach **Part B Bench Leg** to **Part A Bench Top** with 6 pcs of **Hardware #2 Bolt**, **Hardware #4 Nut** and **Hardware #5 Washer**.



PRODUCT ASSEMBLY

2

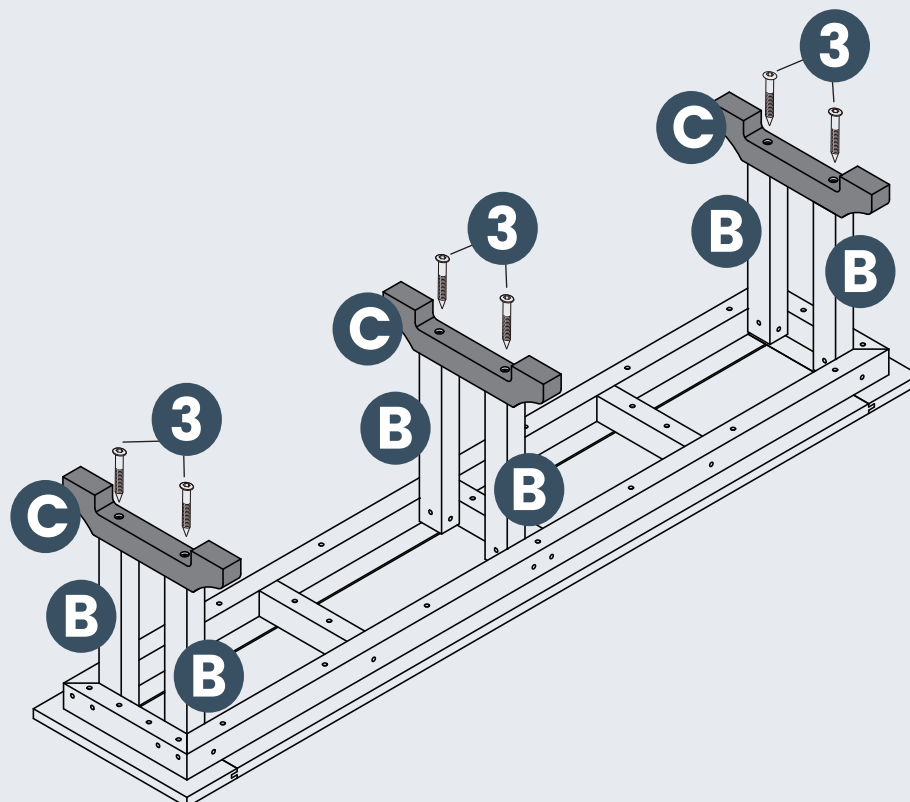
Attach **Part B Bench Leg** and **Part A Bench Top** with 6 pcs of **Hardware #1 Bolt**, **Hardware #4 Nut** and **Hardware #5 Washer**.



PRODUCT ASSEMBLY

3

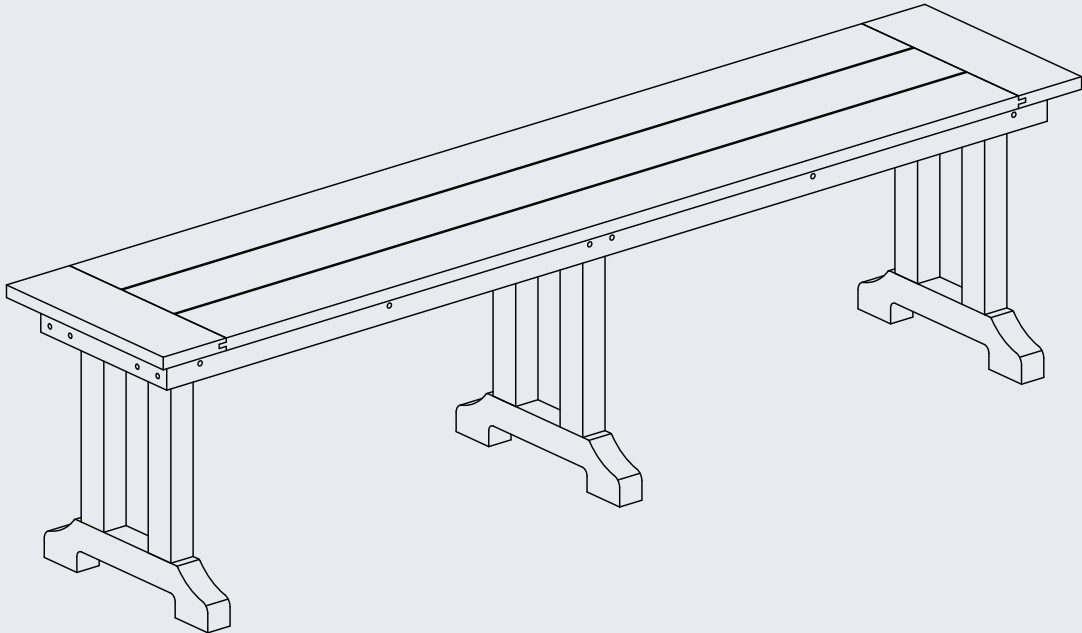
Attach **Part C Bench Bottom Feet** to **Part B Bench Leg** with 6 pcs of **Hardware #3 Screw**.



PRODUCT ASSEMBLY

4

Check and tighten all the bolts and screws again to finish the assembly.



CLEANING TIPS

REGULAR CLEAN: Use a mixture of warm water and mild soap. Gently scrub the surface with a soft bristle brush to remove any dirt or stains.

QUICK CLEAN: You can simply wipe down the furniture with a damp cloth.

Regular cleaning not only preserves the aesthetic appeal of your furniture, but also helps extend its lifespan.